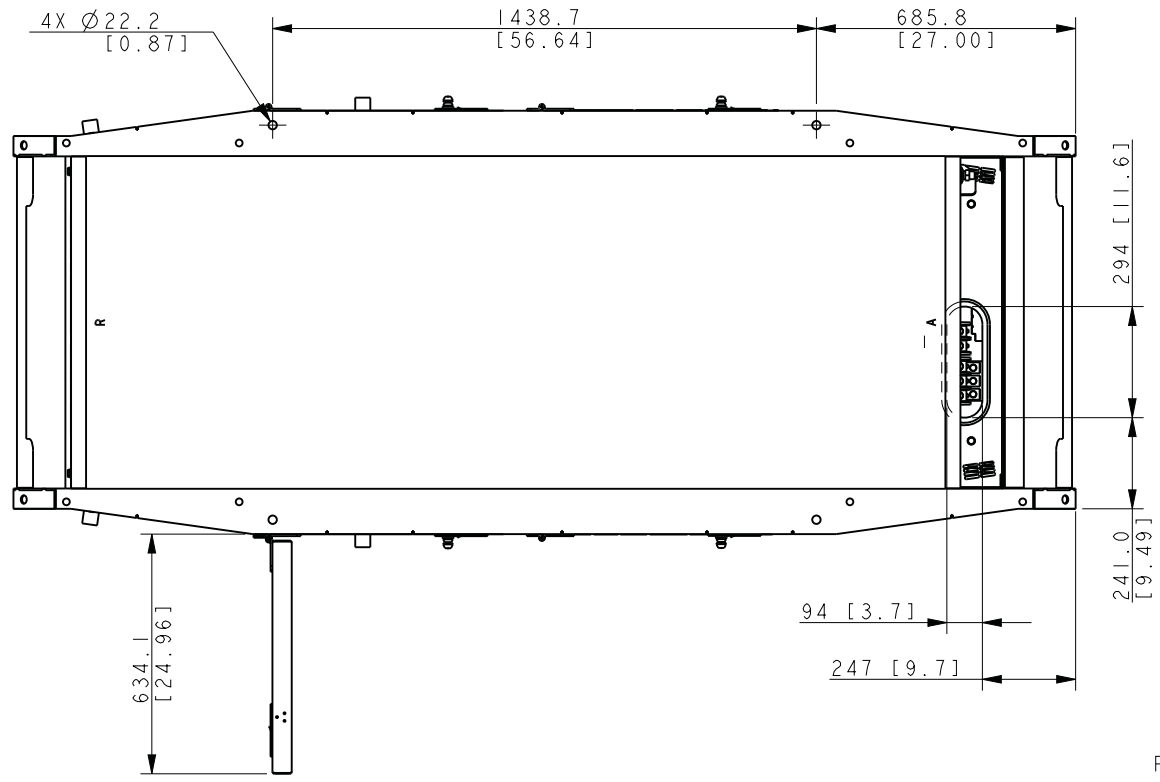
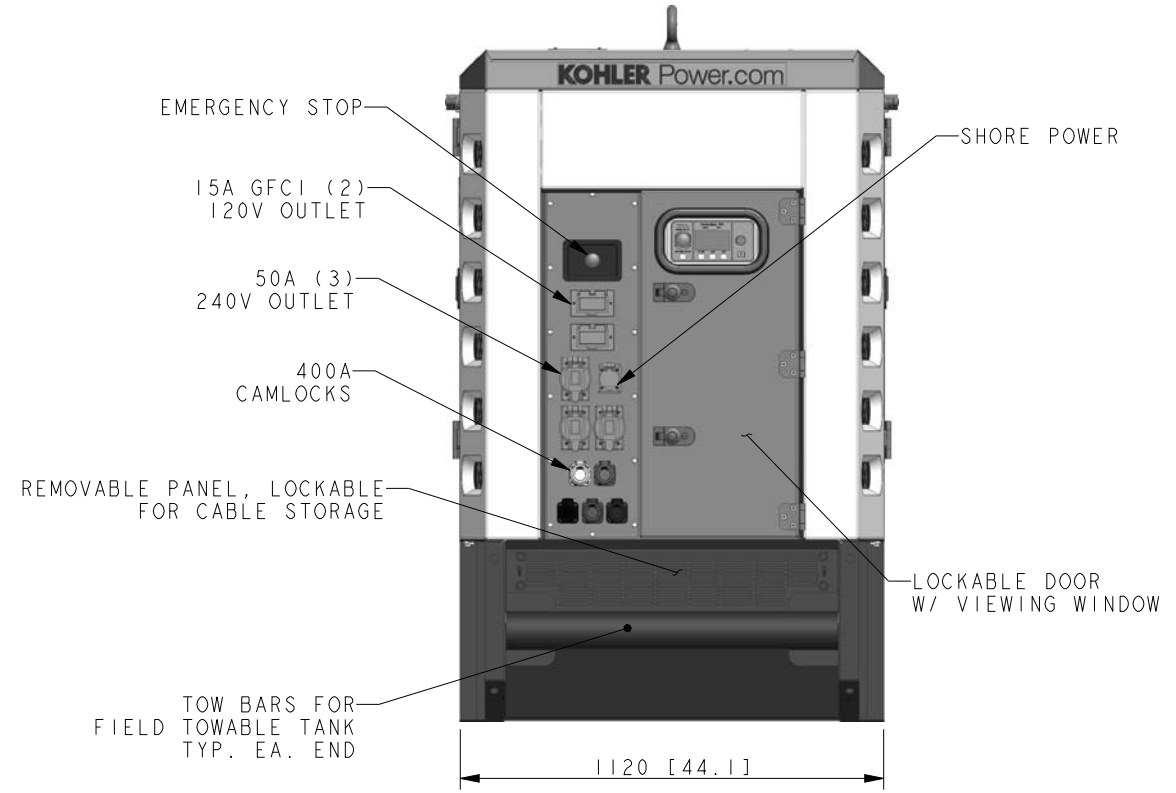
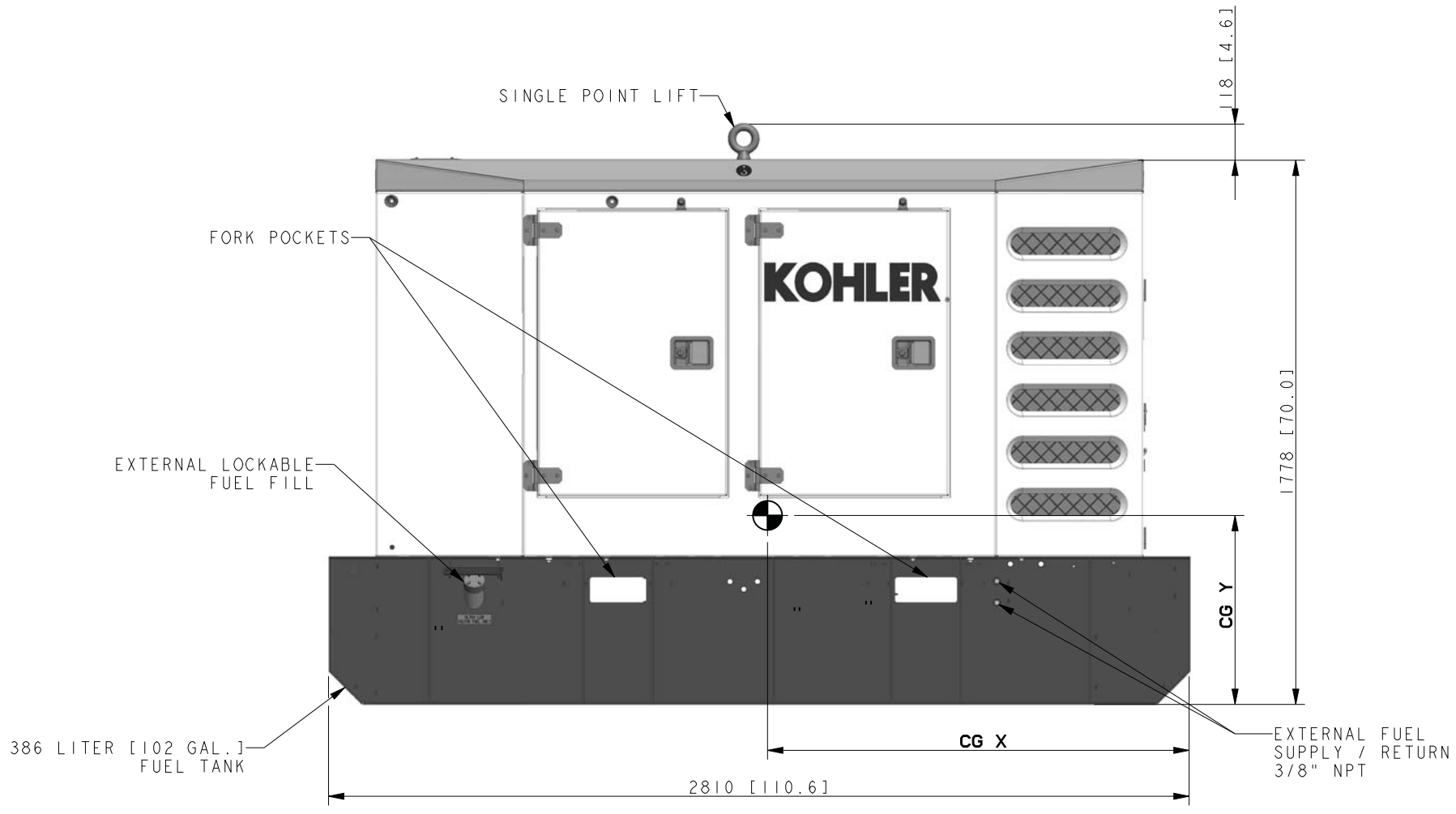


CENTER OF GRAVITY DIMENSIONS			WEIGHT DRY KG [LBS]	WEIGHT WET KG [LBS]
MODEL	CG X	CG Y		
55REOZT4	1377 [54.2]	617 [24.3]	1973 [4350]	2000 [4410]



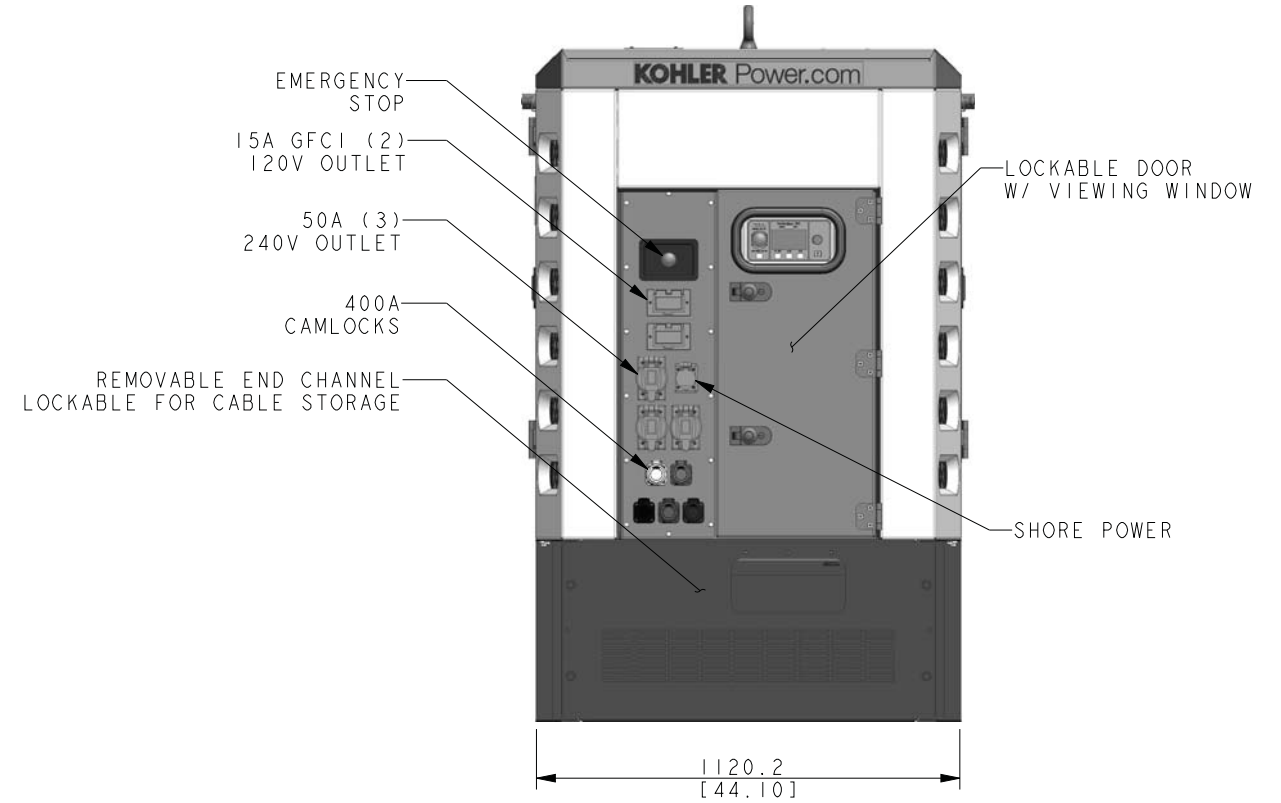
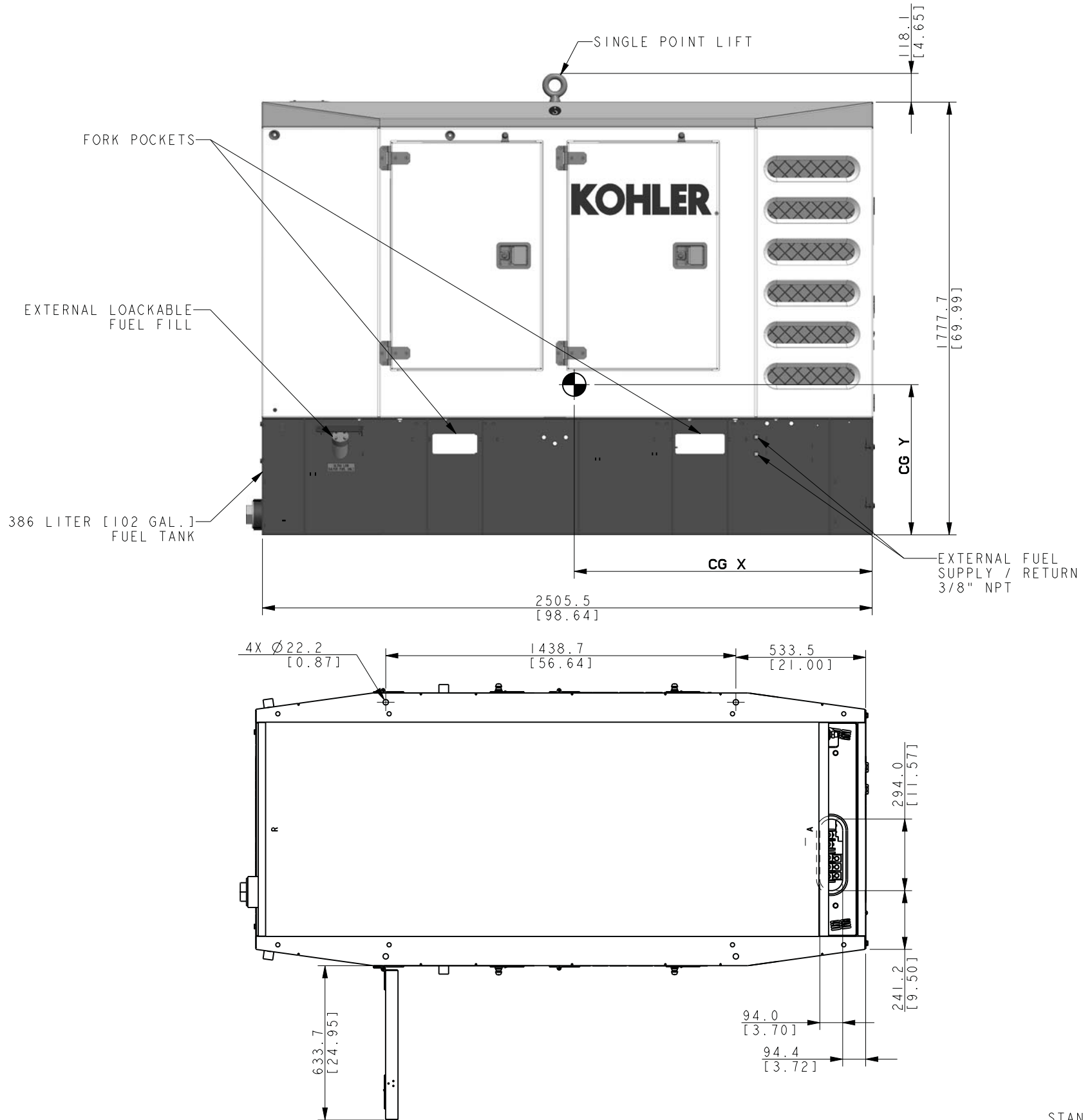
FIELD DRAGGABLE  
55REOZT4

WET WEIGHT INCLUDES ENGINE FLUIDS, EXCLUDING FUEL WEIGHT.  
DIMENSIONS IN [ ] ARE ENGLISH EQUIVALENTS

REV	DATE	ON COMPOSITE DWGS, SEE PART NO. FOR REVISION LEVEL	BY	UNLESS OTHERWISE SPECIFIED - 1) DIMENSIONS ARE IN MILLIMETERS 2) TOLERANCES ARE:	APPROVALS	DATE	<b>KOHLER CO. METRIC PRO-E</b> POWER SYSTEMS, KOHLER, WI 53044 U.S.A. THIS DRAWING IN DESIGN AND DETAIL IS KOHLER CO. PROPERTY AND MUST NOT BE USED EXCEPT IN CONNECTION WITH KOHLER CO. WORK. ALL RIGHTS OF DESIGN OR INVENTION ARE RESERVED. <b>TITLE</b> DIMENSION PRINT, 55REOZT4 SCALE 0.10 CAD NO. SHEET 1 of 4 <b>ADV-8724</b>
-	5-18-15	NEW DRAWING [CT113610]	TAK	X.XX ± 0.25 X.X ± 1.0 X ± 1.5 ANGLES ± 0° 30' MAX. SURFACE FINISH THIRD ANGLE PROJECTION			
					APPROVED	5-18-15	
					CHECKED	5-18-15	
					DRAWN	5-18-15	



CENTER OF GRAVITY DIMENSIONS			WEIGHT DRY KG [LBS]	WEIGHT WET KG [LBS]
MODEL	CG X	CG Y		
55REOZT4	1225 [48.2]	617 [24.3]	1961 [4324]	1989 [4384]



WET WEIGHT INCLUDES ENGINE FLUIDS, EXCLUDING FUEL WEIGHT.  
DIMENSIONS IN [ ] ARE ENGLISH EQUIVALENTS

STANDARD  
55REOZT4

REV	DATE	ON COMPOSITE DWGS, SEE PART NO. FOR REVISION LEVEL	BY	UNLESS OTHERWISE SPECIFIED - 1) DIMENSIONS ARE IN MILLIMETERS 2) TOLERANCES ARE:
-	5-18-15	NEW DRAWING [CT113610]	TAK	X.XX ± 0.25 X.X ± 1.0 X ± 1.5 ANGLES ± 0° 30' MAX.
				THIRD ANGLE PROJECTION
				APPROVALS
				DATE
				SCALE 0.10 CAD NO.
				DWG NO.
				DATE

KOHLER CO. METRIC PRO-E	
POWER SYSTEMS, KOHLER, WI 53044 U.S.A.	
THIS DRAWING IN DESIGN AND DETAIL IS KOHLER CO. PROPERTY AND MUST NOT BE USED EXCEPT IN CONNECTION WITH KOHLER CO. WORK. ALL RIGHTS OF DESIGN OR INVENTION ARE RESERVED.	
TITLE <b>DIMENSION PRINT, 55REOZT4</b>	
SCALE 0.10 CAD NO.	SHEET 3 of 4
DWG NO. <b>ADV-8724</b>	<b>D</b>

