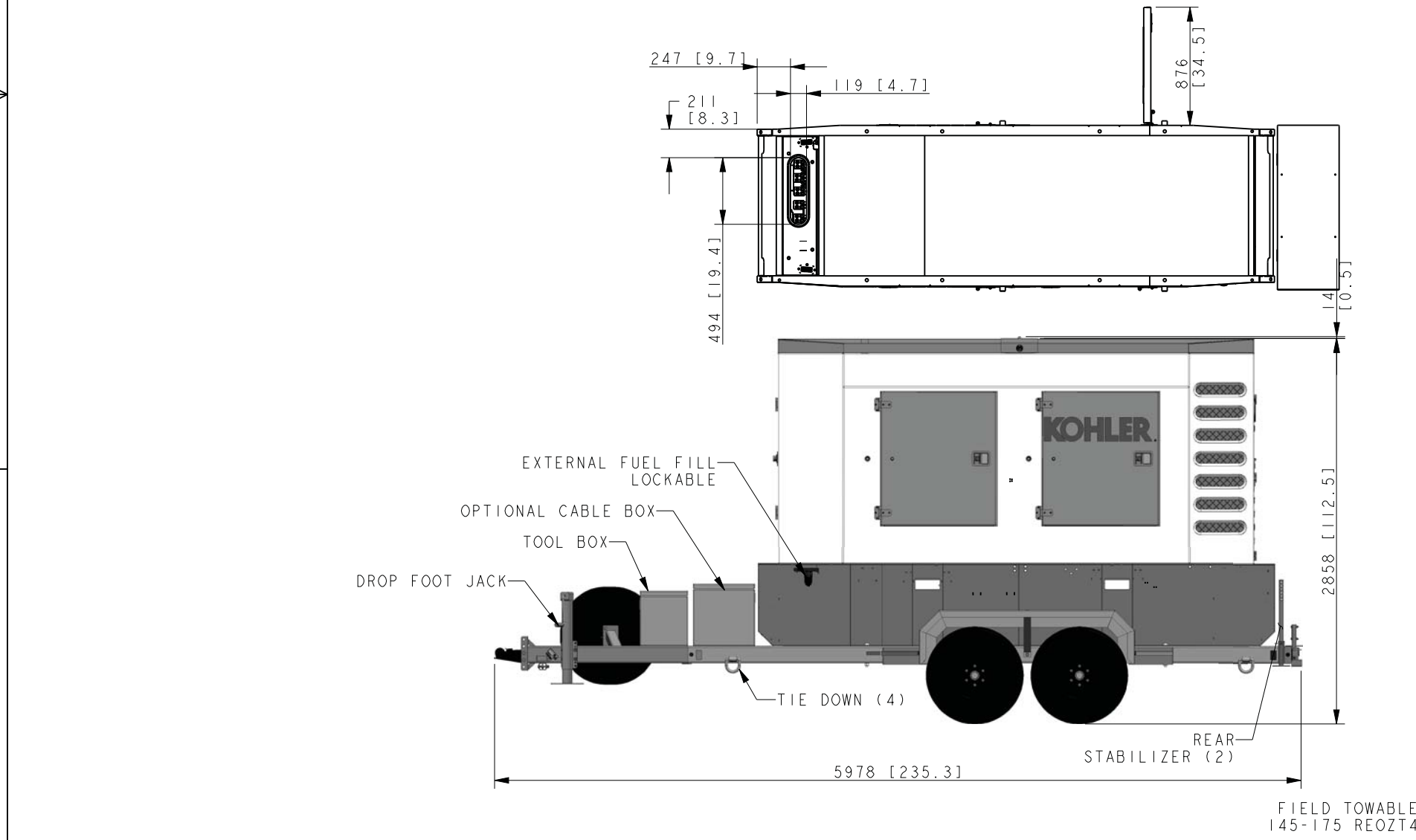
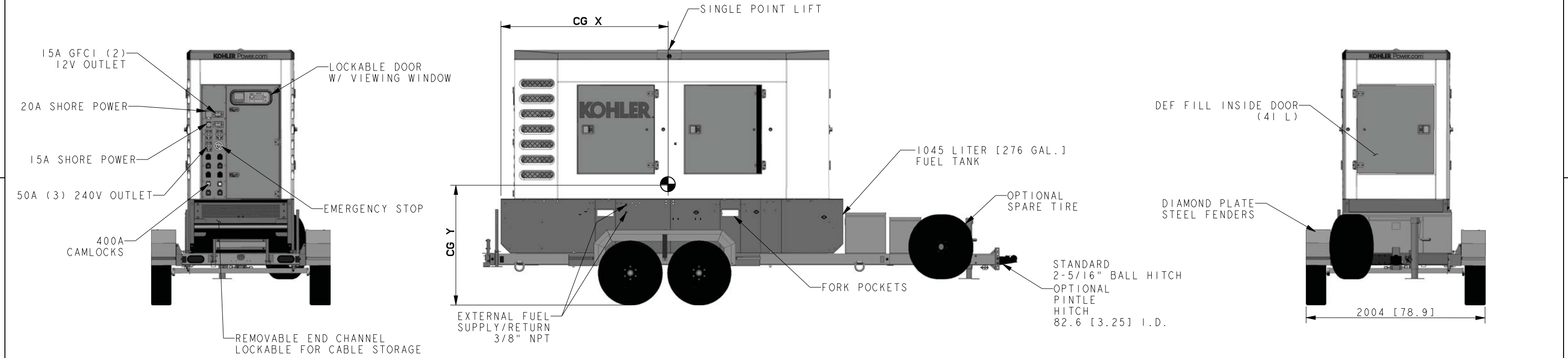


CENTER OF GRAVITY DIMENSIONS			WEIGHT DRY KG (LBS)	WEIGHT WET KG (LBS)
MODEL	CG X	CG Y		
145 REOZT4	1720 [67.7]	1341 [52.8]	4264 [9400]	4332 [9550]
175 REOZT4	1722 [67.8]	1341 [52.8]	4302 [9485]	4370 [9635]

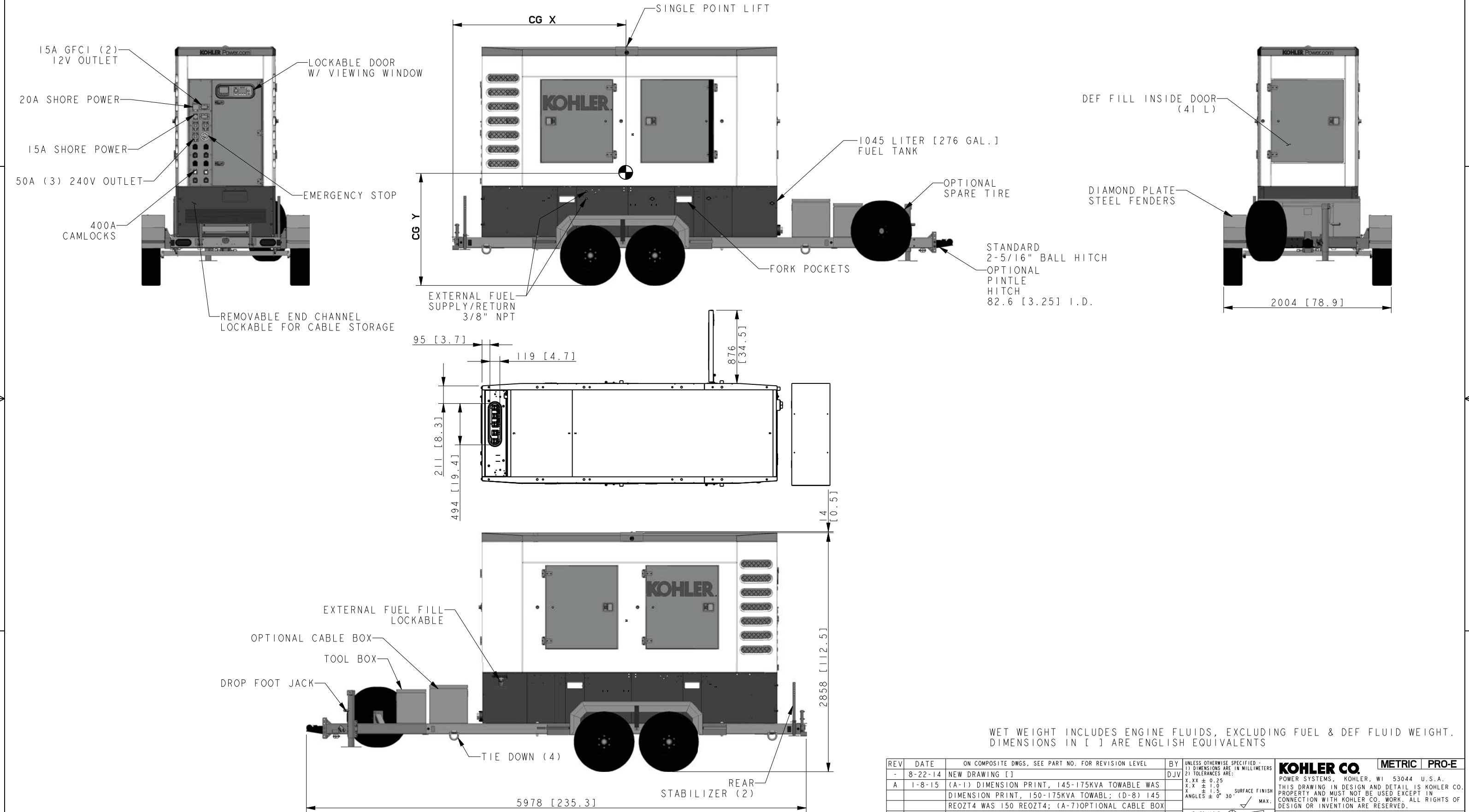


WET WEIGHT INCLUDES ENGINE FLUIDS, EXCLUDING FUEL & DEF FLUID WEIGHT. DIMENSIONS IN [] ARE ENGLISH EQUIVALENTS

REV	DATE	ON COMPOSITE DWGS. SEE PART NO. FOR REVISION LEVEL	BY	UNLESS OTHERWISE SPECIFIED - 1) DIMENSIONS ARE IN MILLIMETERS 2) TOLERANCES ARE:	APPROVALS	DATE
-	5-22-14	NEW DRAWING []	DJV	X.XX ± X.X ± X ±	APPROVED	5-22-14
A	1-8-15	(A-1) DIMENSION PRINT, 145-175KVA TOWABLE WAS DIMENSION PRINT, 150-175KVA TOWABLE; (D-8) 145 REOZT4 WAS 150 REOZT4 [CT102383]	PRM	ANGLES ±	CHECKED	5-22-14
				THIRD ANGLE PROJECTION	APPROVED	5-22-14
					WVG	5-22-14

TITLE		SCALE 0.05		CAD NO.	SHEET 1 of 4
DIMENSION PRINT, 145-175KVA TOWABLE		ADV-8556		D	

CENTER OF GRAVITY DIMENSIONS			WEIGHT DRY KG [LBS]	WEIGHT WET KG [LBS]
MODEL	CG X	CG Y		
145 REOZT4	1720 [67.7]	1341 [52.8]	4264 [9400]	4332 [9550]
175 REOZT4	1722 [67.8]	1341 [52.8]	4302 [9485]	4370 [9635]



WET WEIGHT INCLUDES ENGINE FLUIDS, EXCLUDING FUEL & DEF FLUID WEIGHT.
DIMENSIONS IN [] ARE ENGLISH EQUIVALENTS

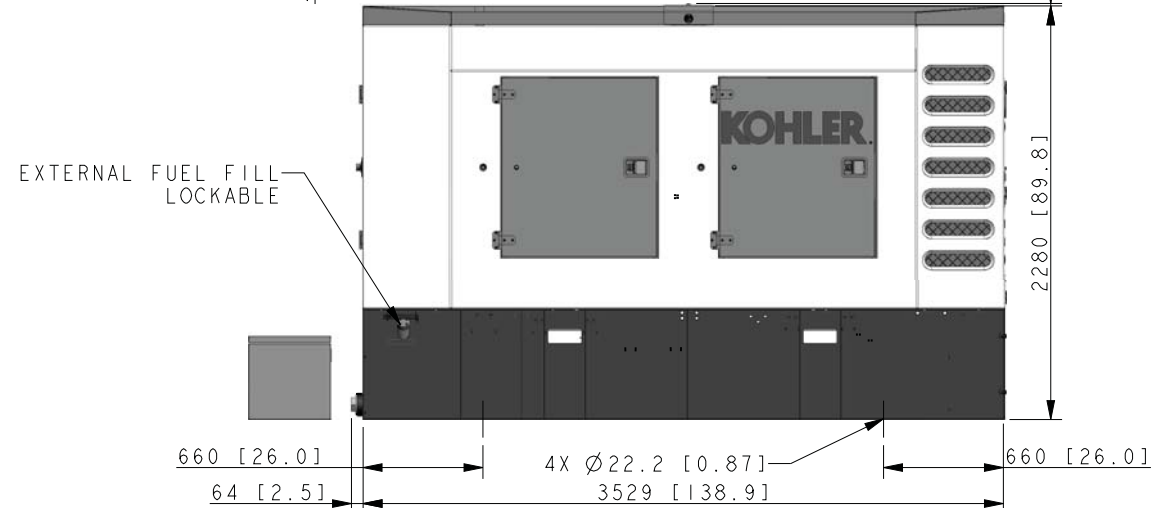
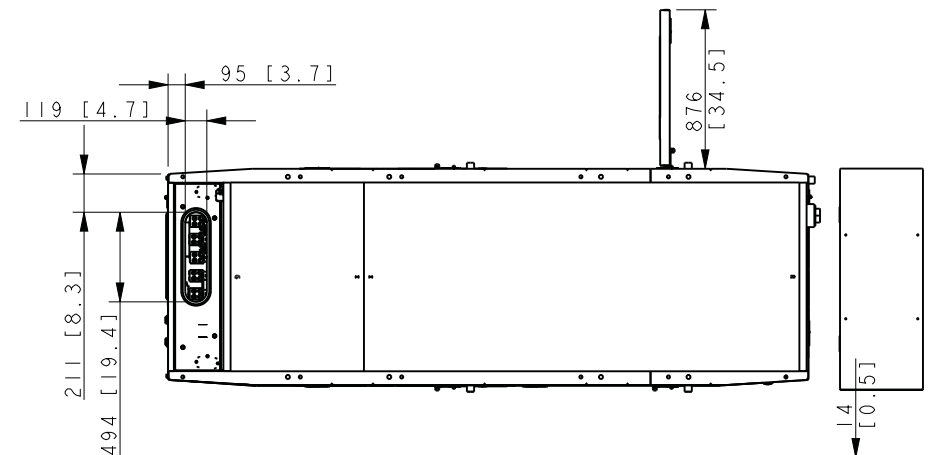
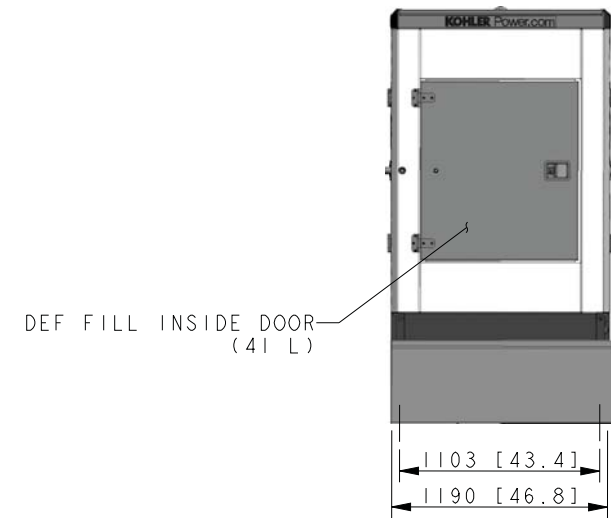
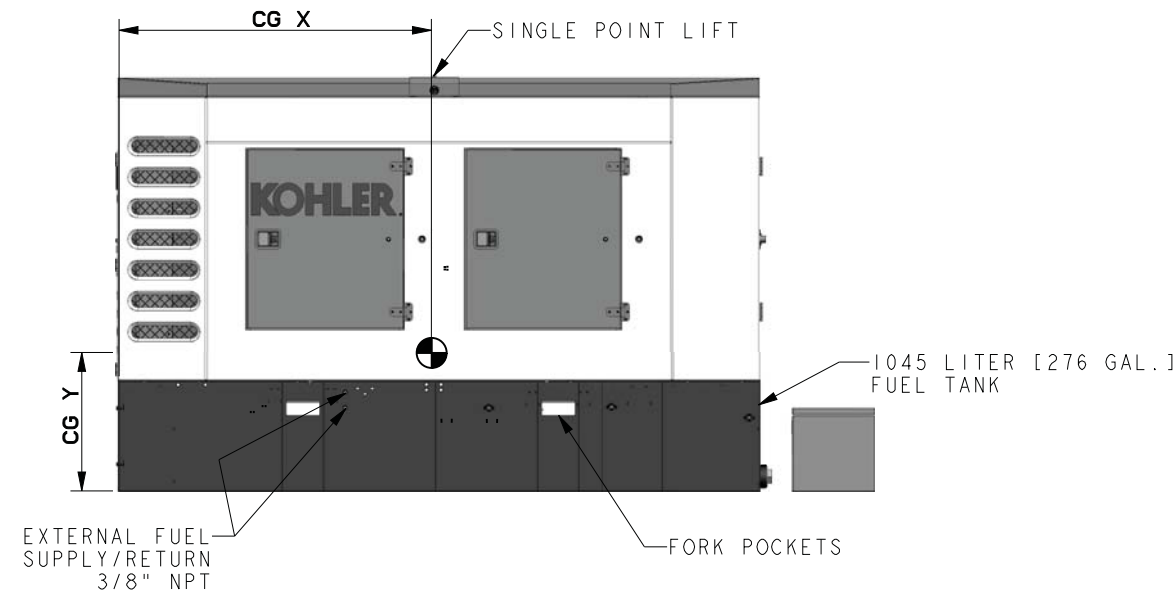
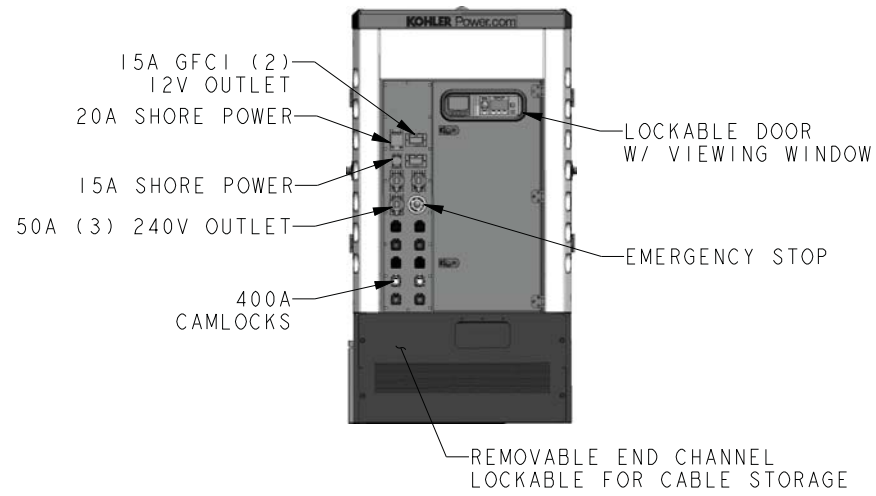
REV	DATE	ON COMPOSITE DWGS. SEE PART NO. FOR REVISION LEVEL	BY	UNLESS OTHERWISE SPECIFIED - 1) DIMENSIONS ARE IN MILLIMETERS 2) TOLERANCES ARE:	APPROVALS	DATE
-	8-22-14	NEW DRAWING []	DJV	X.XX ± 0.25 X.X ± 1.0 X ± 1.5	PRM	8-22-14
A	1-8-15	(A-1) DIMENSION PRINT, 145-175KVA TOWABLE WAS DIMENSION PRINT, 150-175KVA TOWABLE; (D-8) 145 REOZT4 WAS 150 REOZT4; (A-7)OPTIONAL CABLE BOX ADDED [CT102383]		ANGLES ± 0° 30' SURFACE FINISH MAX.		8-22-14
				THIRD ANGLE PROJECTION		8-22-14
						8-22-14

DRAWN DJV		DATE 8-22-14	
CHECKED DJV		DATE 8-22-14	
APPROVED WDG		DATE 8-22-14	

TITLE		SCALE 0.05		CAD NO.		SHEET 3 of 4	
DIMENSION PRINT, 145-175KVA TOWABLE		ADV-8556				D	

FIELD DRAGGABLE
145-175 REOZT4

CENTER OF GRAVITY DIMENSIONS			WEIGHT DRY KG [LBS]	WEIGHT WET KG [LBS]
MODEL	CG X	CG Y		
I45 REOZT4	1687 [66.4]	894 [35.2]	3500 [7715]	3568 [7865]
I75 REOZT4	1689 [66.5]	894 [35.2]	3538 [7800]	3606 [7950]



WET WEIGHT INCLUDES ENGINE FLUIDS, EXCLUDING FUEL & DEF FLUID WEIGHT.
DIMENSIONS IN [] ARE ENGLISH EQUIVALENTS

REV	DATE	ON COMPOSITE DWGS. SEE PART NO. FOR REVISION LEVEL	BY	UNLESS OTHERWISE SPECIFIED - 1) DIMENSIONS ARE IN MILLIMETERS 2) TOLERANCES ARE:	BY	DATE
-	8-22-14	NEW DRAWING []	DJV	X.XX ± 0.25 X.X ± 1.0 X ± 1.5 ANGLES ± 0° 30'		
A	1-8-15	(A-1) DIMENSION PRINT, 145-175KVA TOWABLE WAS DIMENSION PRINT, 150-175KVA TOWABL; (D-8) I45 REOZT4 WAS 150 REOZT4; SEE SHEET 1,2,3 [CT102383] PRM		SURFACE FINISH MAX.		
				THIRD ANGLE PROJECTION		
				APPROVALS	DATE	
				DRAWN	DJV	8-22-14
				CHECKED	DJV	8-22-14
				APPROVED	WDG	8-22-14

FIELD TOWABLE
145-175 REOZT4

KOHLER CO. METRIC PRO-E
POWER SYSTEMS, KOHLER, WI 53044 U.S.A.
THIS DRAWING IN DESIGN AND DETAIL IS KOHLER CO.
PROPERTY AND MUST NOT BE USED EXCEPT IN
CONNECTION WITH KOHLER CO. WORK. ALL RIGHTS OF
DESIGN OR INVENTION ARE RESERVED.

TITLE
DIMENSION PRINT, 145-175KVA TOWABLE

SCALE 0.05 CAD NO. SHEET 4 of 4
DWG NO. **ADV-8556** **D**