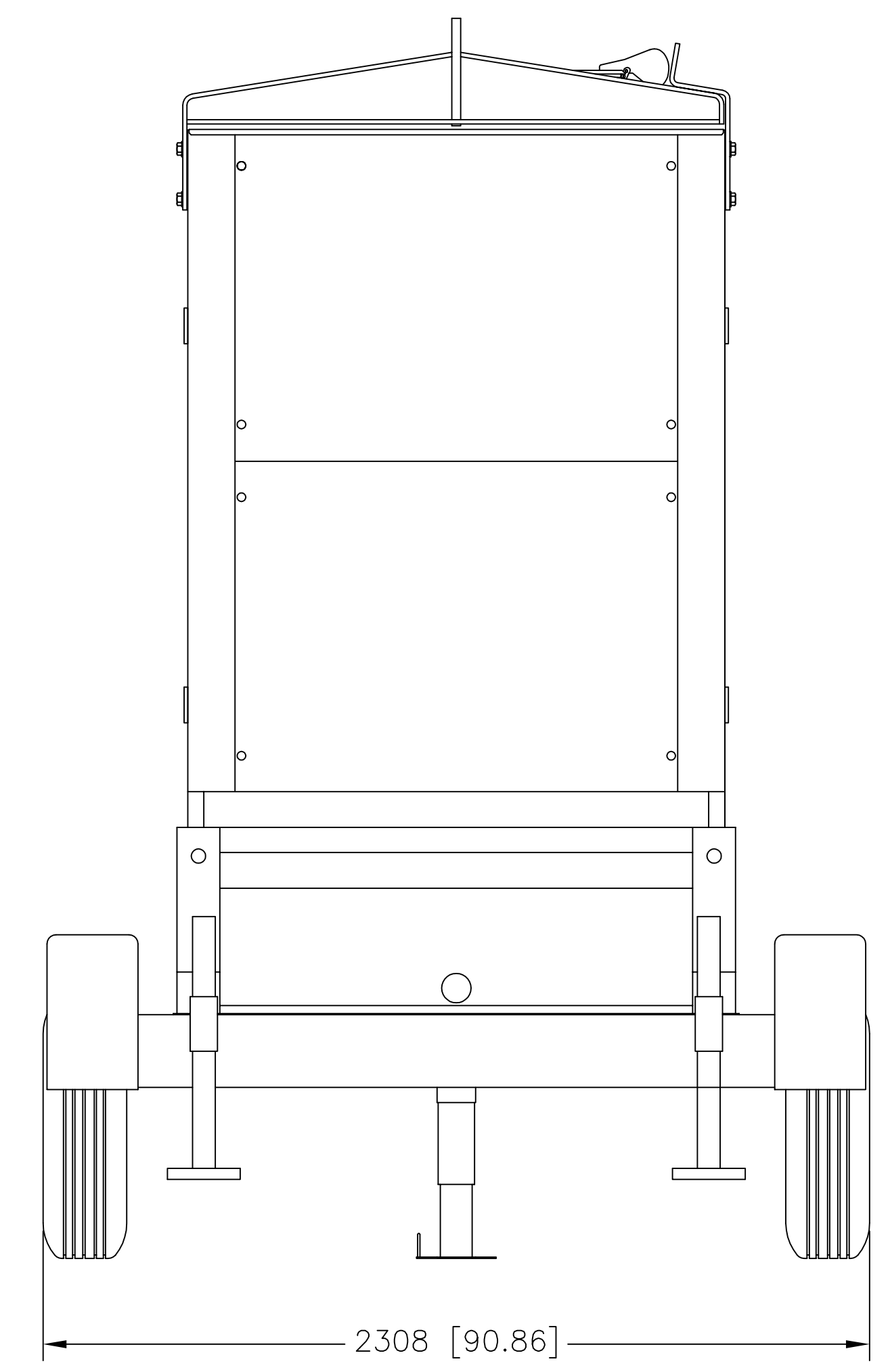
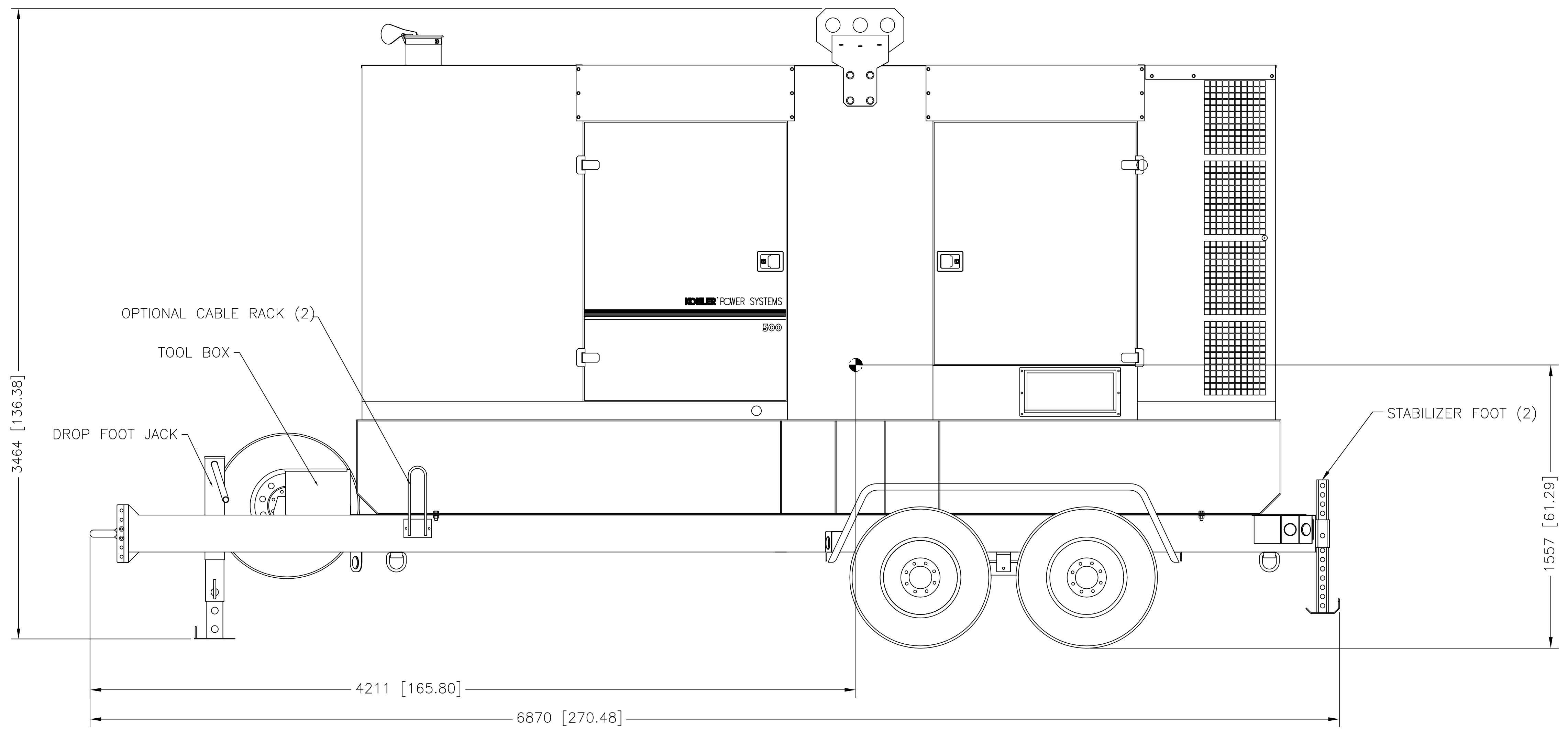
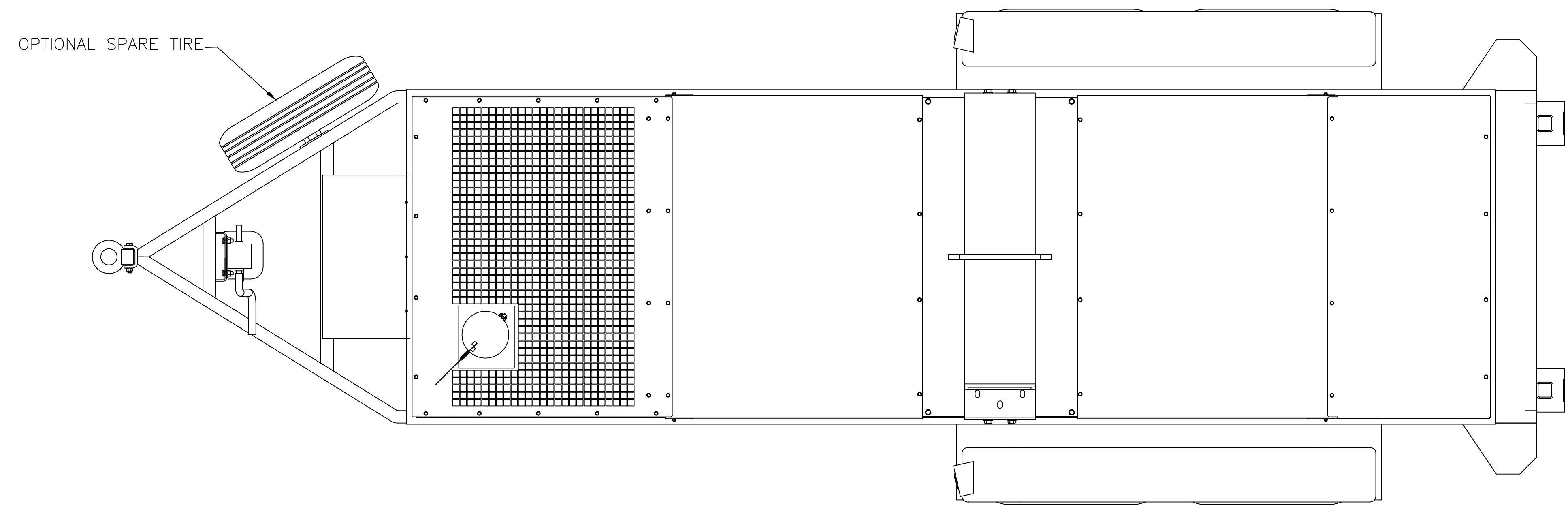


REV	DATE	REVISION	BY
-	4-23-08	NEW DRAWING [84898-2]	SAM
A	6-24-09	(A-7) 4211 WAS 4287, SEE SHEET 2 [87948]	SAM



METRIC CAD FILE

WEIGHT WET	GVWR
8659 KG [19,750 LBS]	10251 KG [22,600 LBS]

ALL DIMENSIONS IN [] ARE ENGLISH EQUIVALENTS

UNLESS OTHERWISE SPECIFIED -
1) DIMENSIONS ARE IN MILLIMETERS
2) TOLERANCES ARE:
X.XX ± 0.25 SURFACE FINISH
X.X ± 1.0 MAX.
X ± 1.5
ANGLES ± 0.30°

THIRD ANGLE PROJECTION

KOHLER CO.
POWER SYSTEMS, KOHLER, WI 53044 U.S.A.
THIS DRAWING, IN DESIGN AND DETAIL, IS KOHLER CO. PROPERTY AND
MUST NOT BE USED EXCEPT IN CONNECTION WITH KOHLER CO. WORK.
ALL RIGHTS OF DESIGN OR INVENTION ARE RESERVED.

TITLE: **DIMENSION PRINT**

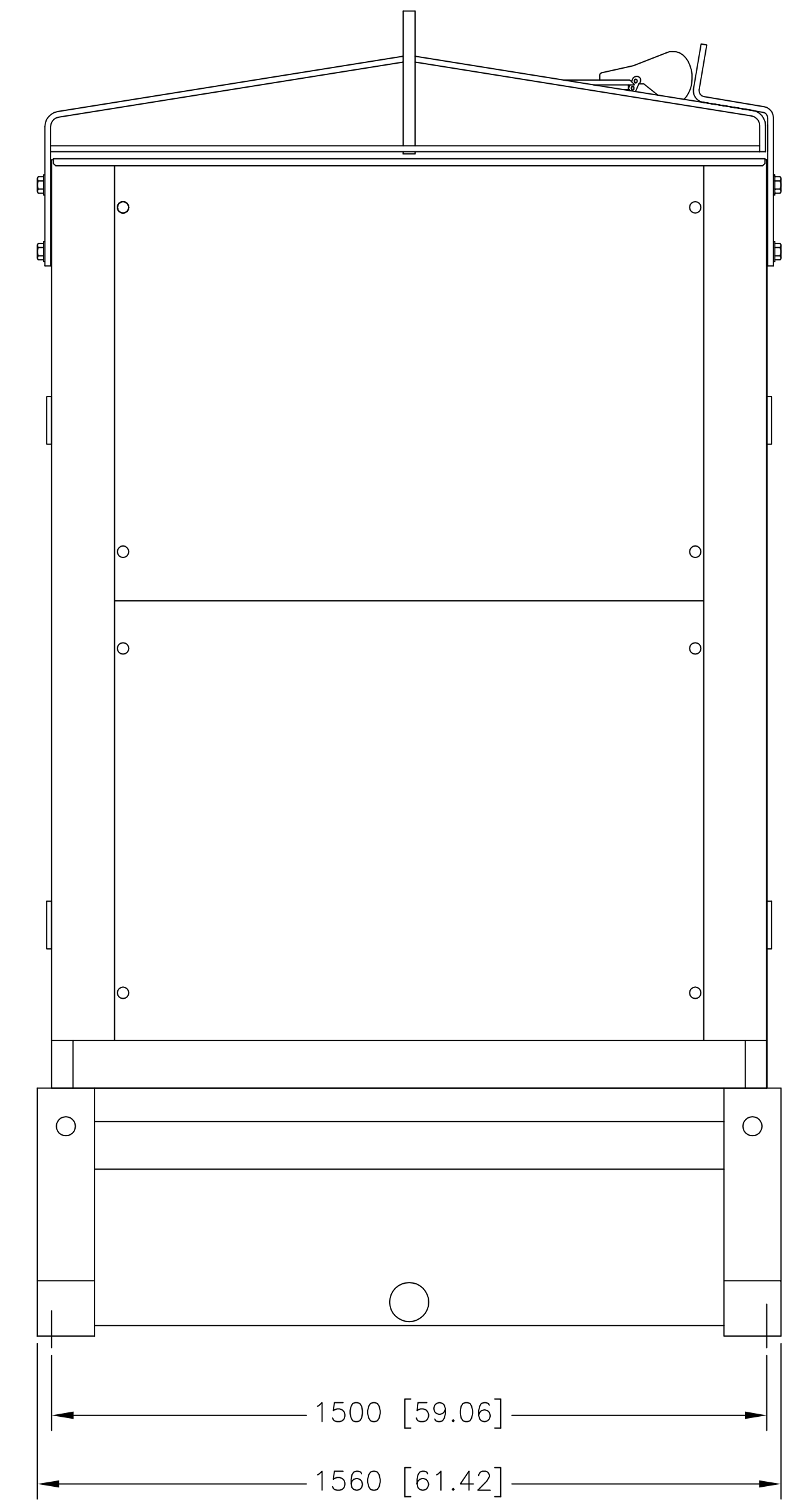
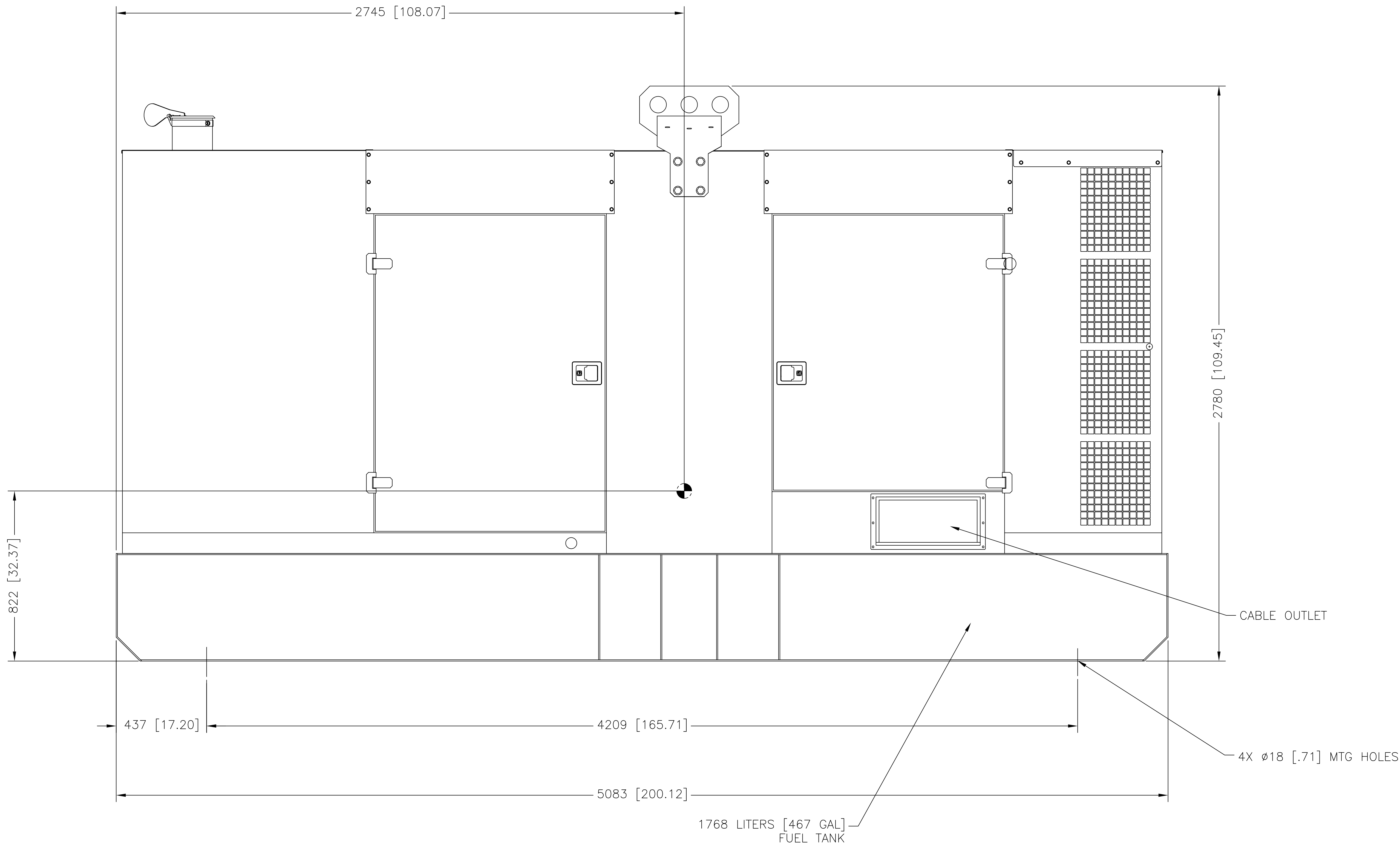
APPROVALS	DATE	SCALE	CAD NO.	SHEET
DRAWN SAM	4-23-08	.07XP		1-2
CHECKED JMS	4-28-08	DWG. NO.		
APPROVED ALR	4-30-08			

500 KW TOWABLE

ADV-7582

PLOTTED DATE

REV	DATE	REVISION	BY
-	4-23-08	NEW DRAWING [84898-2]	SAM
A	6-24-09	(D-7) 2745 WAS 2796 (B-8) 822 WAS 820 [87948]	SAM



METRIC CAD FILE

ALL DIMENSIONS IN [] ARE ENGLISH EQUIVALENTS

WEIGHT DRY	WEIGHT WET
5640 KG [12434 LBS]	7280 KG [16050 LBS]

UNLESS OTHERWISE SPECIFIED - 1) DIMENSIONS ARE IN MILLIMETERS 2) TOLERANCES ARE: X.XX ± 0.25 X.X ± 1.0 X ± 1.5 ANGLES ± 0°30'		SURFACE FINISH ✓ MAX.		KOHLER CO. POWER SYSTEMS, KOHLER, WI 53044 U.S.A. THIS DRAWING, IN DESIGN AND DETAIL, IS KOHLER CO. PROPERTY AND MUST NOT BE USED EXCEPT IN CONNECTION WITH KOHLER CO. WORK. ALL RIGHTS OF DESIGN OR INVENTION ARE RESERVED.	
THIRD ANGLE PROJECTION		TITLE DIMENSION PRINT		SCALE .1XP	
APPROVALS	DATE	CAD NO.	SHEET	2-2	
DRAWN SAM	4-23-08				
CHECKED JMS	4-28-08				
APPROVED AJR	4-30-08			DWG. NO. ADV-7582	
500 KW TOWABLE		PLOTTED DATE		1	