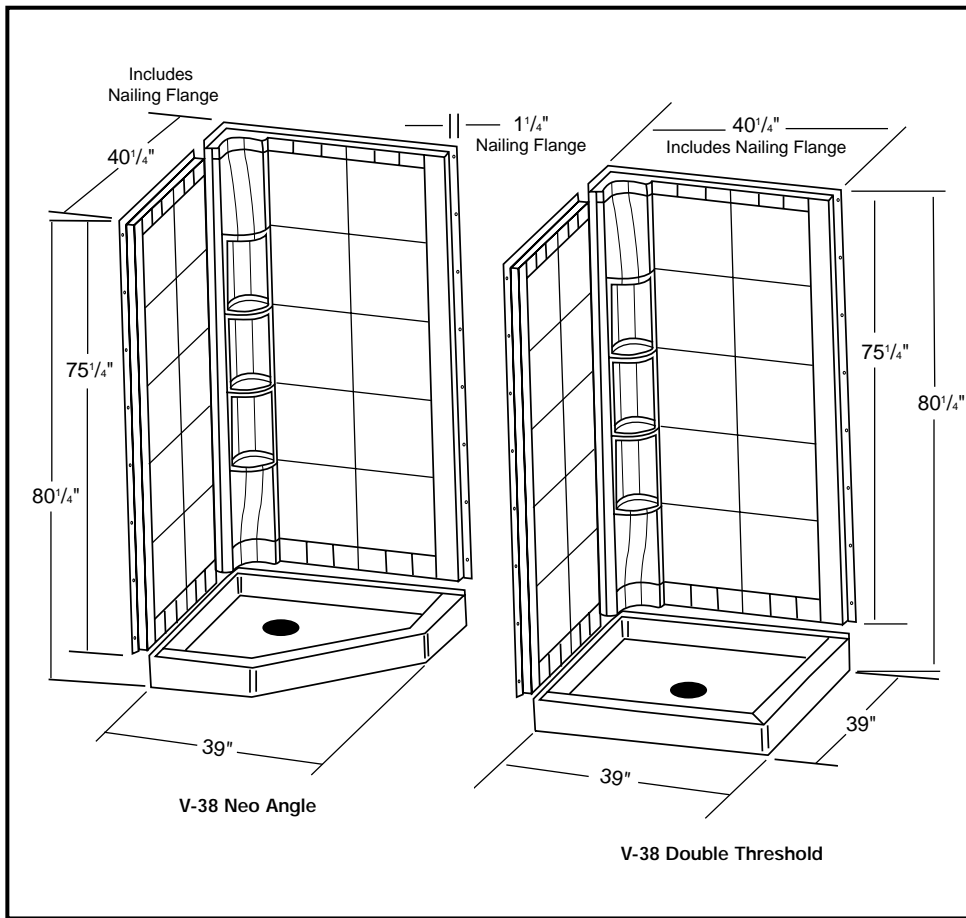


VIKRELL™ 38" Corner Shower
Models V-38N-HG, V-38NB-HG, V-38DT-HG and V-38DTB-HG



Products:

- V-38N-HG** Complete Neo Angle Shower Enclosure (Door and Drain Assembly Not Included)
- V-38NB-HG** Neo Angle Shower – Base Only
- V-38DT-HG** Complete Double Threshold Shower Enclosure (Door and Drain Assembly Not Included)
- V-38DTB-HG** Double Threshold Shower – Base Only

Standards: Meets ASME/ANSI Z124.2 Standards for plumbing fixtures.

IMPORTANT! Read Before You Begin

The V-38 Series showers are packaged in two cartons, one contains the wall set and one containing the base. Upon receipt, check for shortages or damage. Report any damage or shortages immediately to the store where the unit was purchased.

Read all instructions before you begin!

1. Don't remove the old fixture before you unpack and inspect the new shower.
2. Keep shower parts in a safe place until you begin installation to prevent damage.
3. Observe all local plumbing codes!
4. **DO NOT** use any acid-based products on Vikrell shower stalls and bases.

Know These Symbols



This symbol alerts you to potential hazards and important safety information.



This symbol directs you to expanded installation instructions on the page.



This symbol directs you to helpful hints or special time-saving instructions.

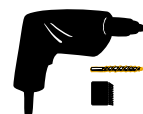
Tools You Will Need



Adjustable Wrench



Common Pliers



Drill

3/16" Drill Bit

Hole Saw



Fine Tooth Saw



Hammer



Level



Pencil



Pipe Wrench



Square



Tape Measure



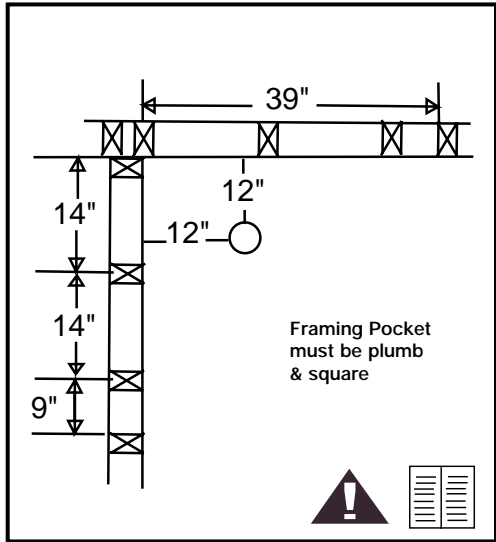
Tubing Cutter



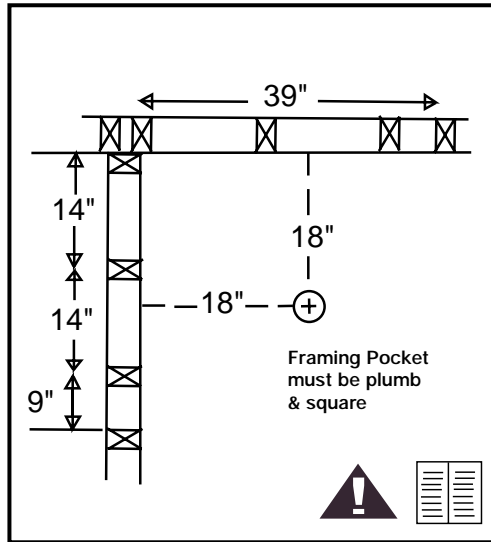
Large Head Roofing Nails

Intrigue® Corner Showers Installation Guide

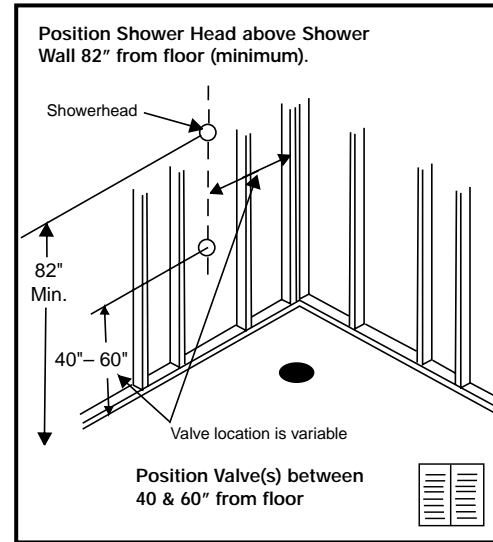
Follow the steps shown below. Note symbols and installation hints, expanded instructions, and/or cautions for each step shown at right.



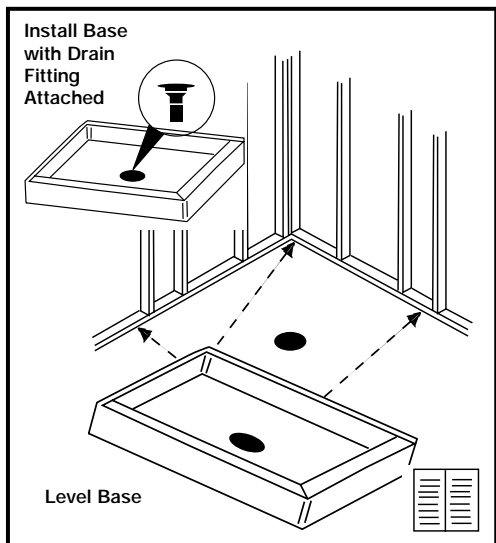
Step 1A: Construct Framing Pocket (Neo Angle Series)



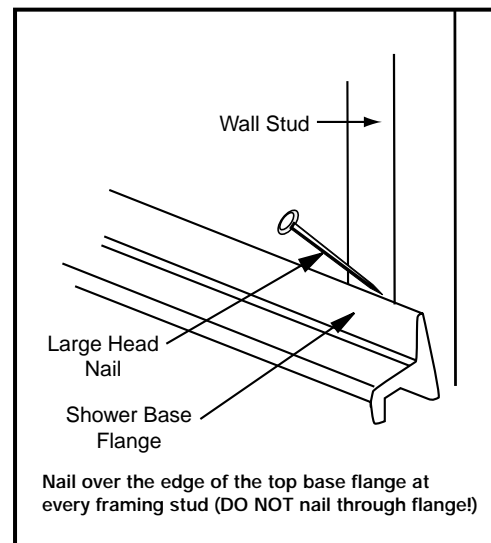
Step 1B: Construct Framing Pocket (Double Threshold Series)



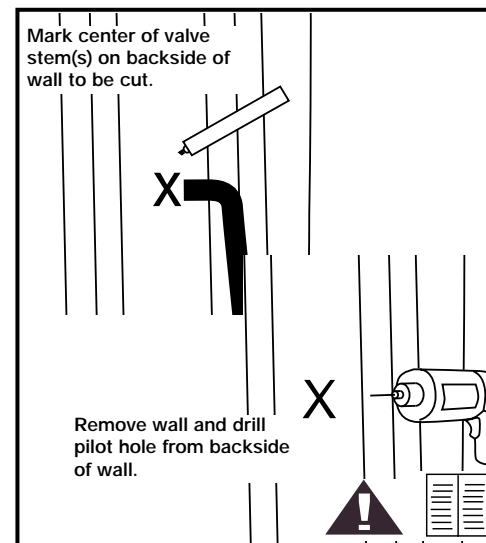
Step 2: Install Plumbing



Step 3: Install Base (Double Threshold Base Shown)



Step 4: Attach Base



Step 5: Cut Holes for Water Supply Valves

STEP 1A & 1B:

CAUTION: Squeaking may develop if shower base is installed over a sub floor other than plywood. To prevent squeaking, place a pad - like roofing felt - between the shower base and sub floor.

For proper installation, use dimensions in figures 1A or 1B (whichever unit is being installed). Whether attaching unit to framing studs or over drywall, inside framing pocket dimensions should be 39" x 39". If installing over drywall, the wall flanges will have to be covered. This cover is not provided. **Remodeling Installations:** before removing old unit measure the existing framing pocket to ensure new unit will fit in the space.

STEP 2:

- Plumbing should be in place** before unit is installed.
- **Showerhead (Suggestion)** - minimum 82" from floor.
 - **Valve(s)** - position between 40" & 60" from floor.
 - **Drain** - Assemble/install according to manufacturer's instructions.
 - **Drain Line & Trap** - *Position using dimensions in Fig. 1A or 1B depending on unit being installed.*

STEP 3:

Base must be level. All of bases's feet must touch the floor. Use concrete, plaster or similar material to level the base if necessary.

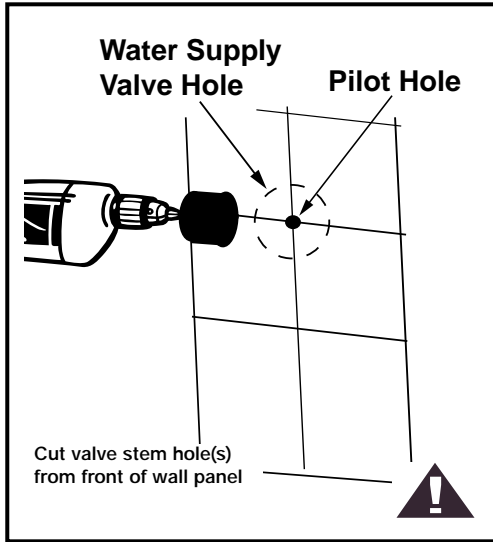
STEP 5 & 6:

CAUTION: Valve cover plate must be large enough to cover the hole(s). Use masking tape to protect the wall surface from scratches during cutting.

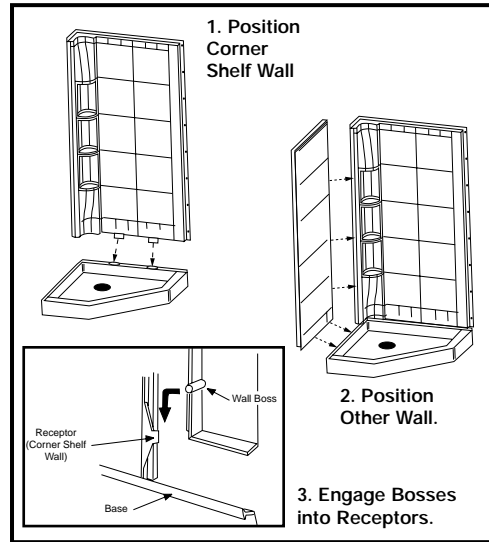
Cut holes in appropriate shower wall for water supply valves before installing shower walls. Size valve stem holes to valve manufacturer's instructions.

Intrigue® Corner Showers Installation Guide

Note symbols and installation hints, expanded instructions, and/or cautions for each step shown at right.

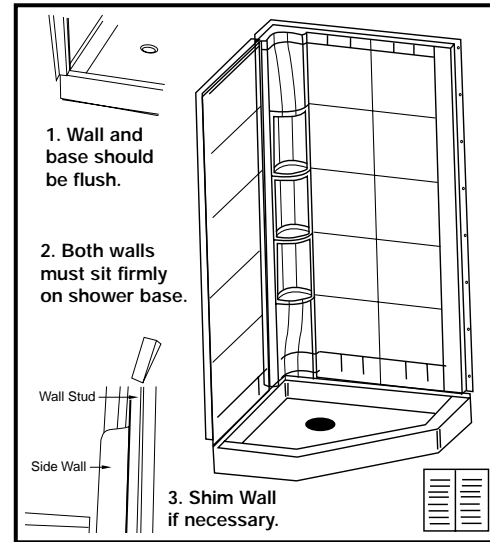


Step 6: Finish Cutting Holes for Water Supply Valves

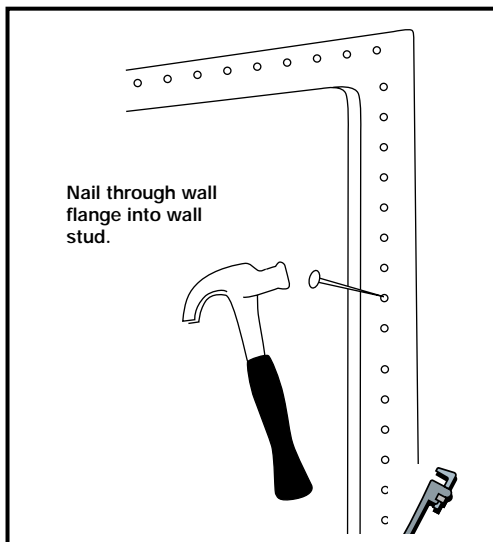


Step 7: Pre-Fit Walls on Shower Base

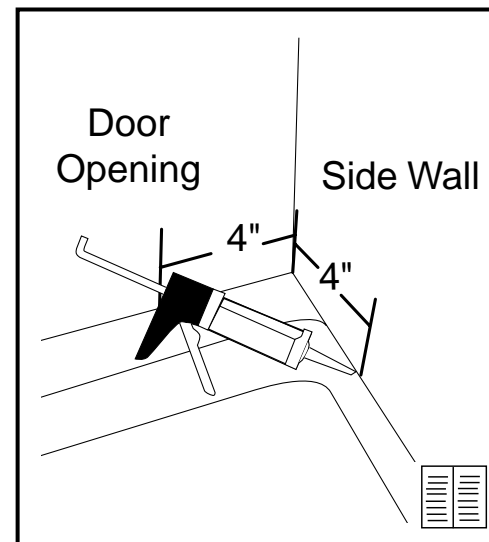
NOTE: Do not nail walls in place at this point!



Step 8: Check and Adjust Wall Fit



Step 9: Nail Walls



Step 10: Caulking*
(*Before Installing Shower Door)

STEP 6:



For a cleaner edge, use a hole saw or fine tooth saw (32 teeth per inch) to cut the valve stem hole(s).

STEP 8:



Front edge of wall should be flush with front edge of base.

1. Adjust by pulling walls forward until flush with front of base.
2. The seam between the walls and base should be close. If a gap exists between the wall flange and framing, shim the walls before nailing.

STEP 9:



When nailing flanges start from the bottom and move up the sides, then nail the flange across the top of the wall panels.

STEP 10:



Before installing a shower door, caulk the first 4" of the joint between the walls and base at the front of the shower.

Initial Cleaning:

To remove typical dirt and grime left from construction:

- Remove any loose debris from the surface prior to cleaning.
- If possible, soak base with warm water and mild detergent to loosen remaining soil.
- If soil remains, clean the stained area with a non-abrasive multi-purpose cleaner. Use a soft cloth for cleaning.

Remove tar (asphalt), paint (oil base), vinyl adhesive, and ceramic adhesive with:

acetone, methyl ethyl ketone (MEK), turpentine, xylene, or toluene. These solvents may be purchased at your local hardware store.

1. Saturate a clean white cloth with one of the listed solvents.
2. Rub lightly until the residue disappears.

WARNING!

These solvents are **highly flammable** and should be used sparingly. **Use extreme caution.** When using these solvents, always:

1. Work in a well ventilated area.
2. DO NOT SMOKE while using these solvents.
3. DO NOT work near an open flame while using these solvents.
4. DO NOT allow solvent to go down the drain or come in contact with plastic grate, pipes, or fittings.
5. KEEP OUT OF REACH OF CHILDREN.

Regular Cleaning:

For Sterling fixtures, Kohler recommends the use of one of the following cleaning products for regular (weekly) cleaning of the unit.

Spic & Span® Powder

Top Job®

Mr. Clean® Original Cleaner

Glass Plus®

NOTE: Acid-based cleaning products are not recommended for regular cleaning on Sterling fixtures.

WARNING!

The use of abrasive cleaning agents can result in surface dullness and discoloration. ALWAYS FOLLOW THE MANUFACTURER'S DIRECTIONS WHEN USING CLEANING AGENTS.

10 YEAR --CONSUMER, 3 YEAR--COMMERCIAL

Kohler Company warrants Sterling Intrigue Vikrell™ bathing fixtures to be free of manufacturing defects for 10 years from the date of sale when fixtures are used in residential (owner-occupied) buildings, or 3 years from the date of sale when fixtures are used in commercial (hotels, motels, rental property) buildings to the original purchaser/user.

We warrant our whirlpools to be free of manufacturing defects for the same period except for the pump/motor assembly, which is warranted to be free of manufacturing defects for one year from date of sale.

Kohler will, at its election, repair or replace a fixture where an inspection by Kohler discloses any such defects occurring in normal usage within the time period of coverage stated above. Kohler is not responsible for installation costs where replacement is indicated.

To obtain warranty service, contact Kohler Company either through your plumbing contractor, wholesaler or dealer, or by calling or writing:

**Sterling Consumer Service Agent,
2900 Golf Rd.,
Rolling Meadows, IL 60008,
Ph.: 1-888-783-7546.**

IMPLIED WARRANTIES INCLUDING THAT OF MERCHANTABILITY, ARE EXPRESSLY LIMITED IN DURATION TO THE DURATION OF THIS WARRANTY. KOHLER COMPANY. DISCLAIMS ANY RESPONSIBILITY FOR INCIDENTAL OR CONSEQUENTIAL DAMAGES. Some states do not allow limitations on how long an implied warranty lasts, or the exclusion or limitation of incidental or consequential damages, so this limitation and exclusion may not apply to you. This warranty gives you specific legal rights. You may have other rights which vary from state to state. This is our exclusive written warranty.