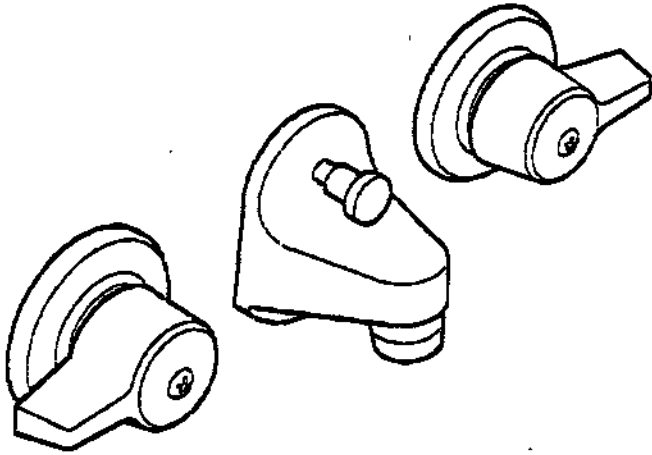


# STERLING

STERLING FAUCET COMPANY  
P. O. Box 427 Sheridan Arkansas 72150-0427



## Shelf Back Lavatory Faucet

Model  
**20390**

Pop-Up, Aerator,  
Adjusts 4.5" to 6" centers  
Flow 2.0, GPM Max., ANSI A112.18.1M

# INSTALLATION INSTRUCTIONS

- 1** With Notched Washers (2) threaded onto Left and Right Side Body, assemble Yoke and Rod with Cotter Pin.

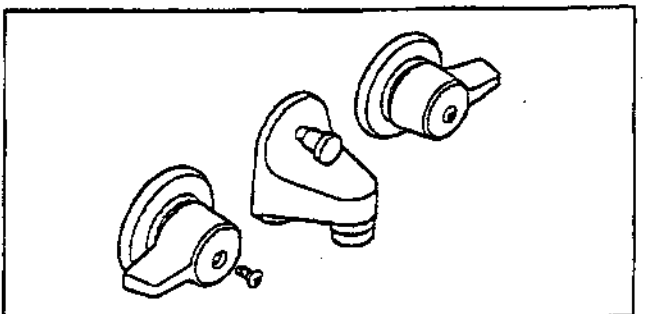
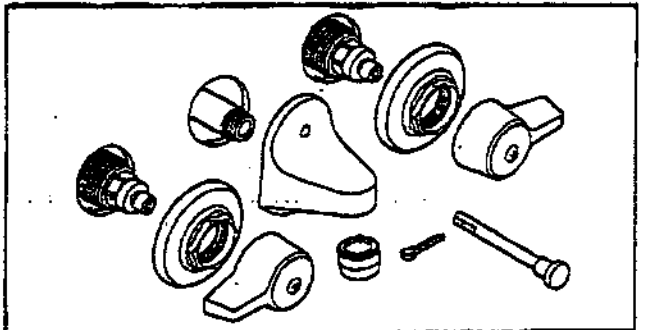
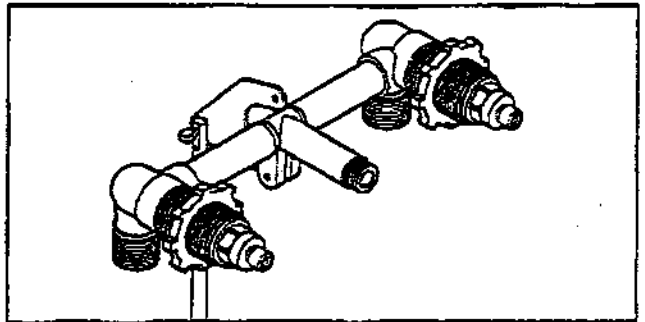
## CAUTION!

**DO NOT CUT**  
Left or Right Side Body Tube extensions.  
Any modification will  
VOID WARRANTY.

- 2** Place Body assembly into position through backside of three holes in Ledge back sink. Thread Escutcheons (2) onto Left and Right Side Body and adjust for depth with Notched Nuts. Tighten Escutcheons with Notched Nuts.

Thread Spout onto Center Body. Attach Lift Rod through hole in Spout to top hole in Yoke with Cotter Pin.

- 3** Position Handles (2) on each stem, thread in screw and tighten.

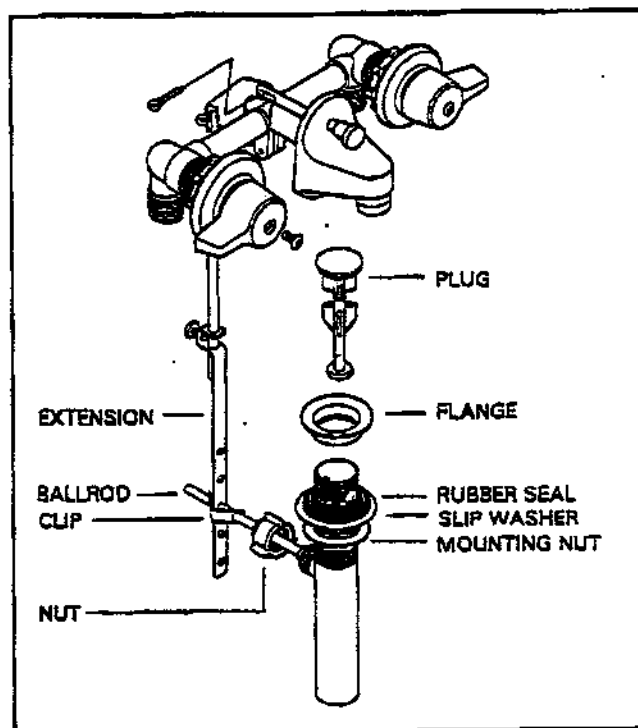


- 4** Pre-assemble Mounting Nut, Slip Washer and Rubber Seal to Pop-up Tube. From underside of sink drain opening, thread Drain Flange from on top, sealing with plumbers putty.

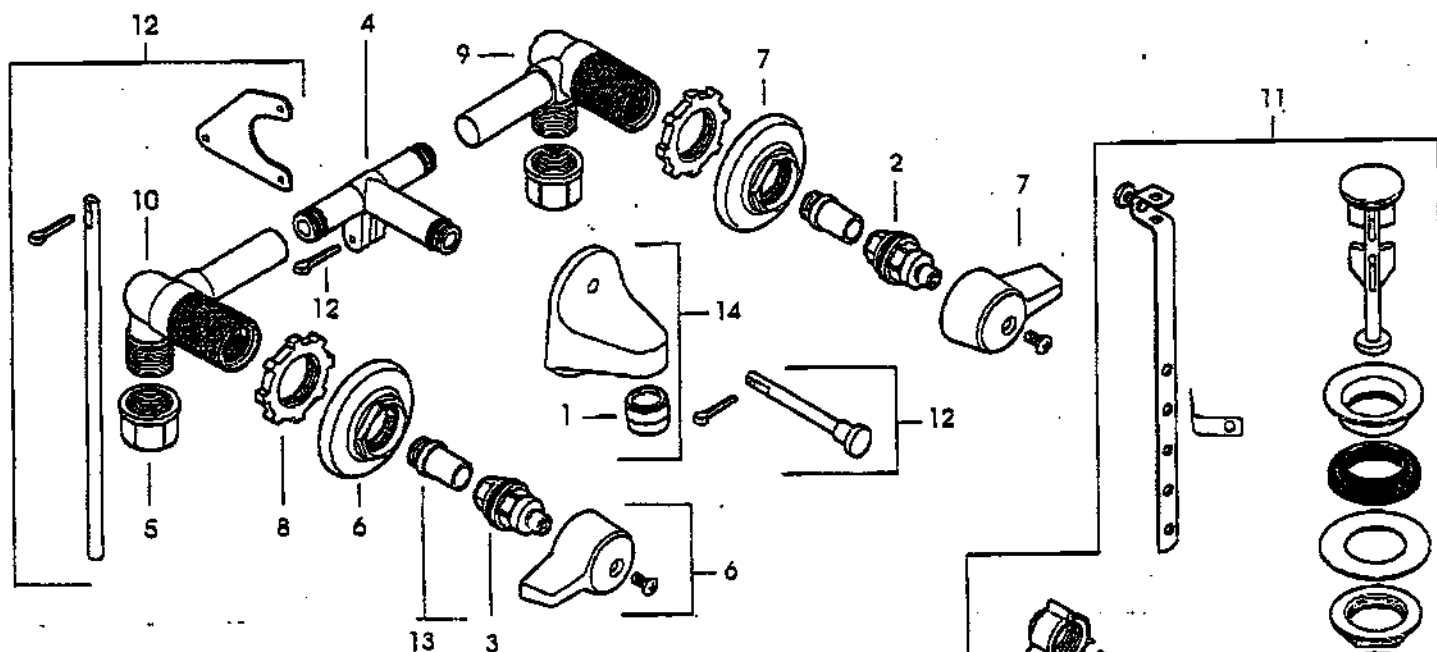
Assemble Ballrod with Nut. With side screw, fasten Extension to vertical Rod. Attach Ballrod to vertical Extension with Clip. Attach Extension to vertical Rod with Screw. Adjust for Drain Plug travel.

- 5** Attach a supply riser to each Side Body with Coupling Nut (2) supplied. Attach risers to supply line stops.

Remove Aerator and flush lines for one minute. Check for leaks. Replace Aerator.



## PARTS LIST



- |    |                             |            |
|----|-----------------------------|------------|
| 1  | AERATOR                     |            |
| 2  | COMPRESSION CARTRIDGE HOT   | SA-631-C-1 |
| 3  | COMPRESSION CARTRIDGE COLD  | SA-631-C-2 |
| 4  | BODY, CENTER                | 625-7-BC   |
| 5  | NUT, SUPPLY                 | 16080      |
| 6  | HANDLE AND ESCUTCHEON, COLD | SA-01-CELB |
| 7  | HANDLE AND ESCUTCHEON, HOT  | SA-01-HELB |
| 8  | NOTCHED NUT                 | 625-7-1    |
| 9  | BODY, RIGHT SIDE            | 625-7-8R   |
| 10 | BODY, LEFT SIDE             | 625-7-8L   |
| 11 | POP-UP ASSEMBLY             | SA-777-LB  |
| 12 | PULL-ROD AND CLEVIS         | SA-627-B   |
| 13 | SEAT, BODY                  | 627-062    |
| 14 | SPOUT WITH AERATOR          | SA-627-A   |