



Accord®

60" x 30" Tile AFD Bath/Shower with Backer Boards
71140128



Features

- Alcove installation
- 17-1/4" apron
- Vikrell material
- Right drain
- Pivot snap-together modular design
- Tile look
- No caulk required
- Molded-in shelves
- Aging in Place backerboards
- 3" drain-to-floor clearance for above-floor drain installation

Recommended Accessories

- 71147103 ADA Adaptable Grab Bar Kit
- 71147104 30" Bath Seat Kit

Components

Product includes:

- 71144106 60"x 30" Tile Wall Set with Backer Board
- 71141128 60" x 30" AFD Bath with Backer Board



Codes/Standards



- CSA B45.5/IAPMO Z124
- ASTM E162
- ASTM E662
- Greenguard UL 2818 - Gold
- HUD, UM Bulletin 73

Warranty – Bathing Fixtures (and) Kitchen and Utility Sinks Made of Solid Vikrell® Material

See website for detailed warranty information.

Available Color/Finishes

Color tiles intended for reference only.

Color	Code	Description
	0	White
	96	KOHLER Biscuit

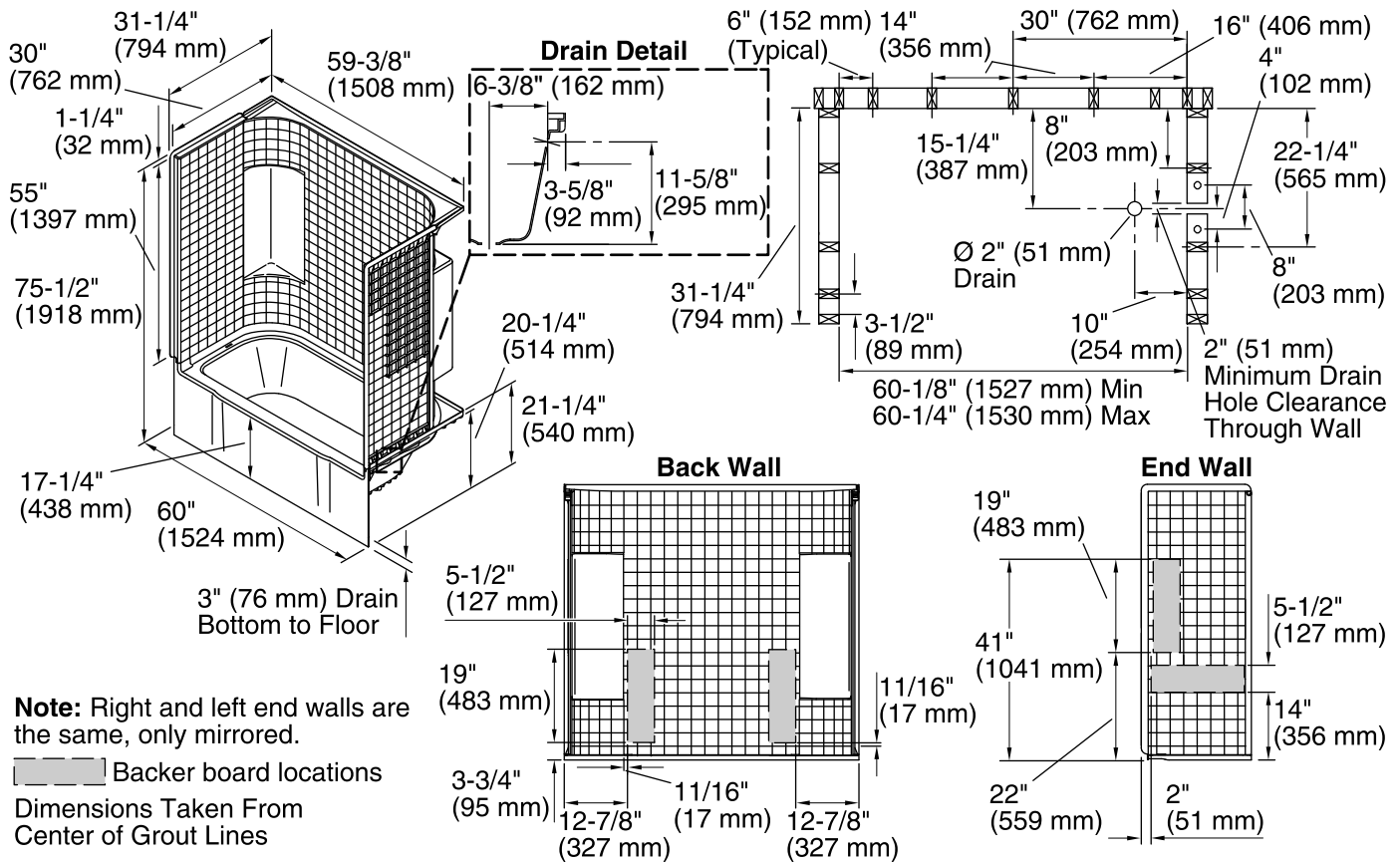
1-800-STERLING (1-800-783-7546)

Kohler Co. reserves the right to make revisions without notice to product specifications.

For the most current Specification Sheet, go to www.sterlingplumbing.com.

12-4-2018 14:51 - US

60" x 30" Tile AFD Bath/Shower with Backer Boards 71140128



Technical Information

All product dimensions are nominal.

Installation: 3-Wall Alcove

Drain location: Right

Basin area, bottom: 46-1/4" x 20-1/2" (1175 mm x 521 mm)

Basin area, top: 52-1/4" x 22-1/2" (1327 mm x 572 mm)

Water depth: 11" (279 mm)

Water capacity: 34 gal (128.7 L)

Minimum flat for door: 2-3/4" (70 mm)

Maximum door height: 56-1/2" (1435 mm)

Maximum door width: 56-3/4" (1441 mm)

Notes

Install this product according to the installation instructions.

Product is designed to be used with a single-hole mixer valve with an escutcheon cover not to exceed 7-3/4" (197 mm) in width.

Studs should be positioned roughly as shown.

Bath cannot be installed without the wall surround.

Attach grab bars at the specified backer board locations only.

Width shifts from 60" (1524 mm) at front to 59-3/8" (1508 mm) at back. Use 1/4" (6 mm) furring strips at back for drywall over nailing-in flange installation.

ADA adaptable when grab bars and seat are installed per the specific requirements of these regulations.

For future ADA compliance, select a mixing valve location that will not interfere with a control wall grab bar.