



Features

- Wall surround features molded-in back wall shelving and an arch-like design for visual appeal (walls are required to complete installation)
- Designed with a 17-1/4" apron.
- Durable high-gloss finish provides a smooth, shiny surface that is easy to clean.
- Factory-installed, three-inch apron extension for above floor drain (AFD) installation which means no need to cut into the sub-floor or install costly fire protection or pest protection.
- No need to cut into the sub-floor or install costly fire protection or pest protection.
- Bath only installation not recommended. Install with 71094100 wallset.

Material

- Made from solid Vikrell® material for strength, durability, and lasting beauty.

Installation

- Modular design allows it to be moved around corners and through doorways with ease.

Included Components

Product consists of:

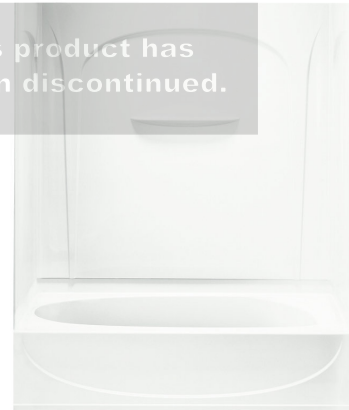
- 71091112 60" x 30" AFD bath
- 71094100 60" x 31-1/2" bath/shower wall set

Codes/Standards

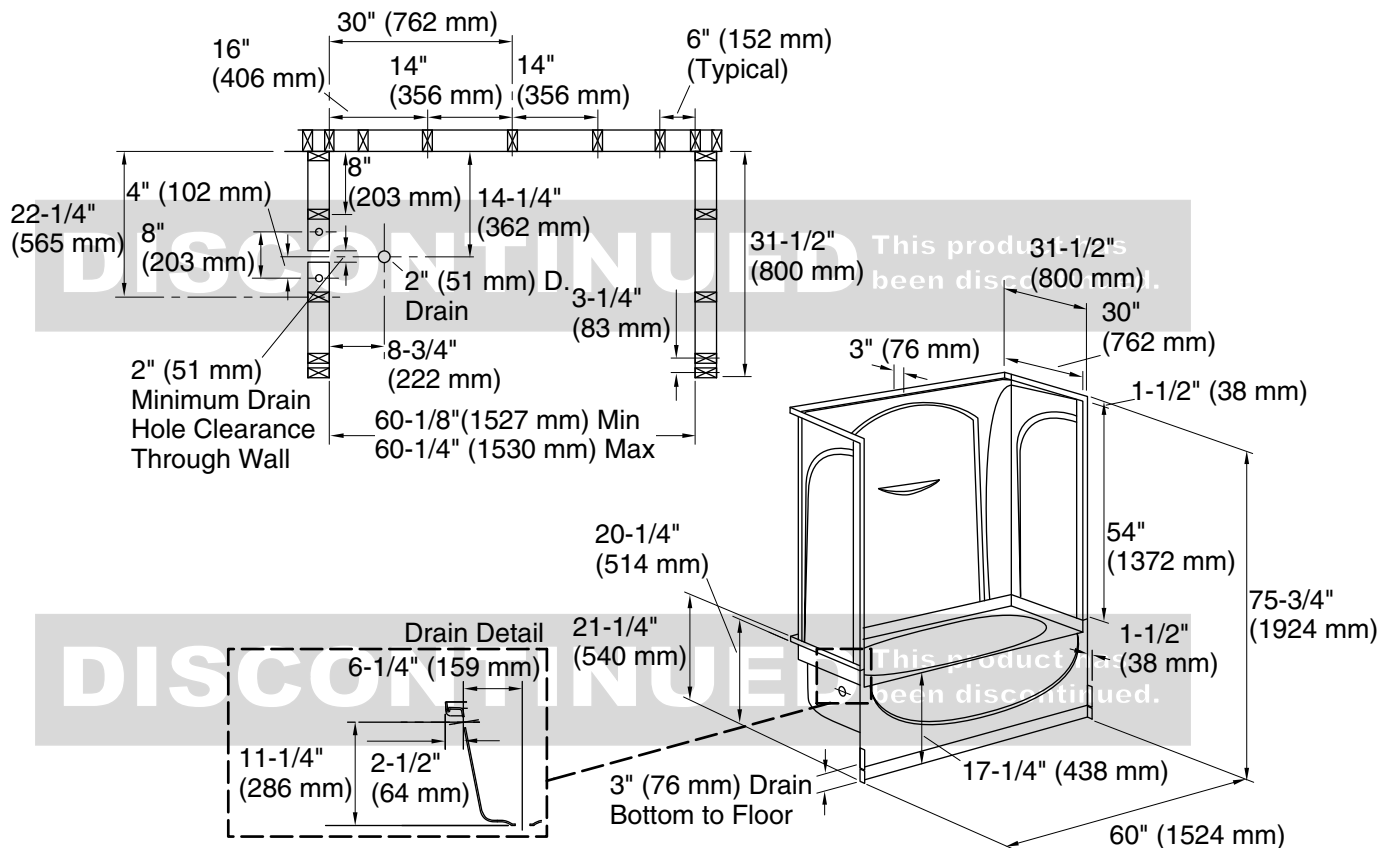
CSA B45.5/IAPMO Z124
ASTM E162
ASTM E662
HUD, UM Bulletin 73

Warranty – Bathing Fixtures (and Kitchen and Utility Sinks Made of Solid Vikrell® Material)

See website for detailed warranty information.



DISCONTINUED This product has been discontinued.



Technical Information

All product dimensions are nominal.

Installation: Three-wall alcove

Drain location: Left

Basin area, bottom: 42" x 16-1/4" (1067 mm x 413 mm)

Basin area, top: 56" x 23-3/4" (1422 mm x 603 mm)

Water depth: 12" (305 mm)

Water capacity: 34 gal (128.7 L)

Minimum flat for door: 3" (76 mm)

Maximum door height: 56-1/2" (1435 mm)

Maximum door width: 58-1/2" (1486 mm)

Notes

Install this product according to the installation instructions.

Studs should be positioned roughly as shown.

Double studding is recommended for pivot shower door installations.

Adjacent finished wall thickness must not exceed 9/16" (14 mm).