

STERLING

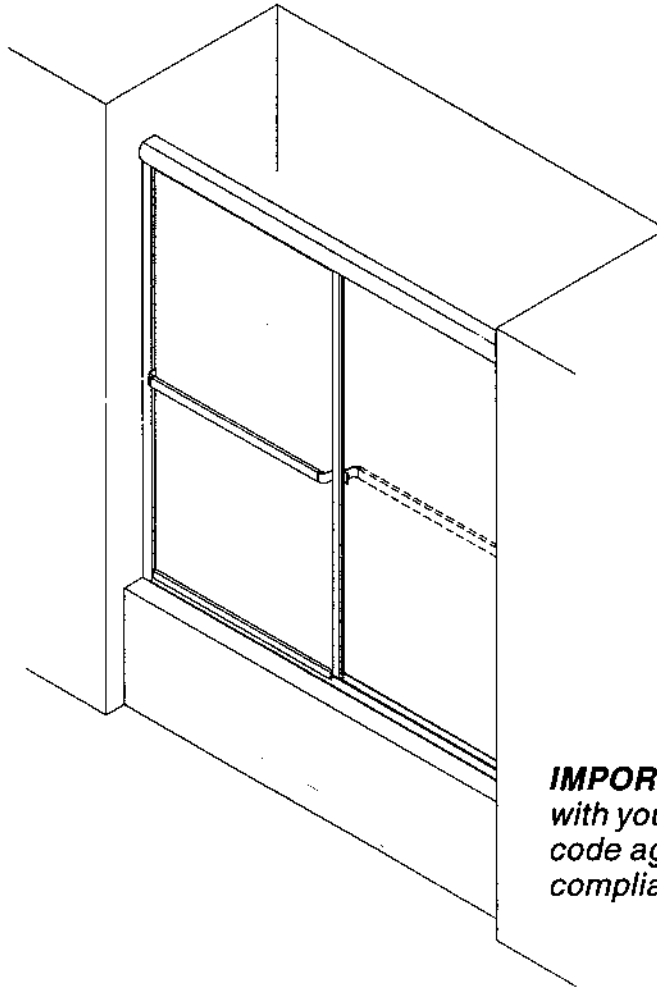
A KOHLER COMPANY

Finesse Classics

Framed 2 Panel Bypass Tub/Shower Door Series-5100

INSTALLATION INSTRUCTIONS

Please read these instructions carefully to familiarize yourself with the required tools, materials, and installation sequences. The Exploded Diagram of the door on page 2 will also provide a helpful reference when relating the location of the various parts.



IMPORTANT: You should check with your local plumbing or building code agency about this product for compliance before it is installed.

basic tools and materials needed

TOOLS

Measuring Tape
Hacksaw with 32 teeth per inch blade
Electric Drill
Drill Bit- $\frac{3}{16}$ "
Masonry Bit for ceramic tile- $\frac{3}{16}$ "
Screwdriver-Phillips and Flat
Level
Fine File
Pliers
Pencil
Center Punch
Hammer
Safety Glasses
Caulking Gun

MATERIALS

Caulk
Masking Tape

how to care for your door

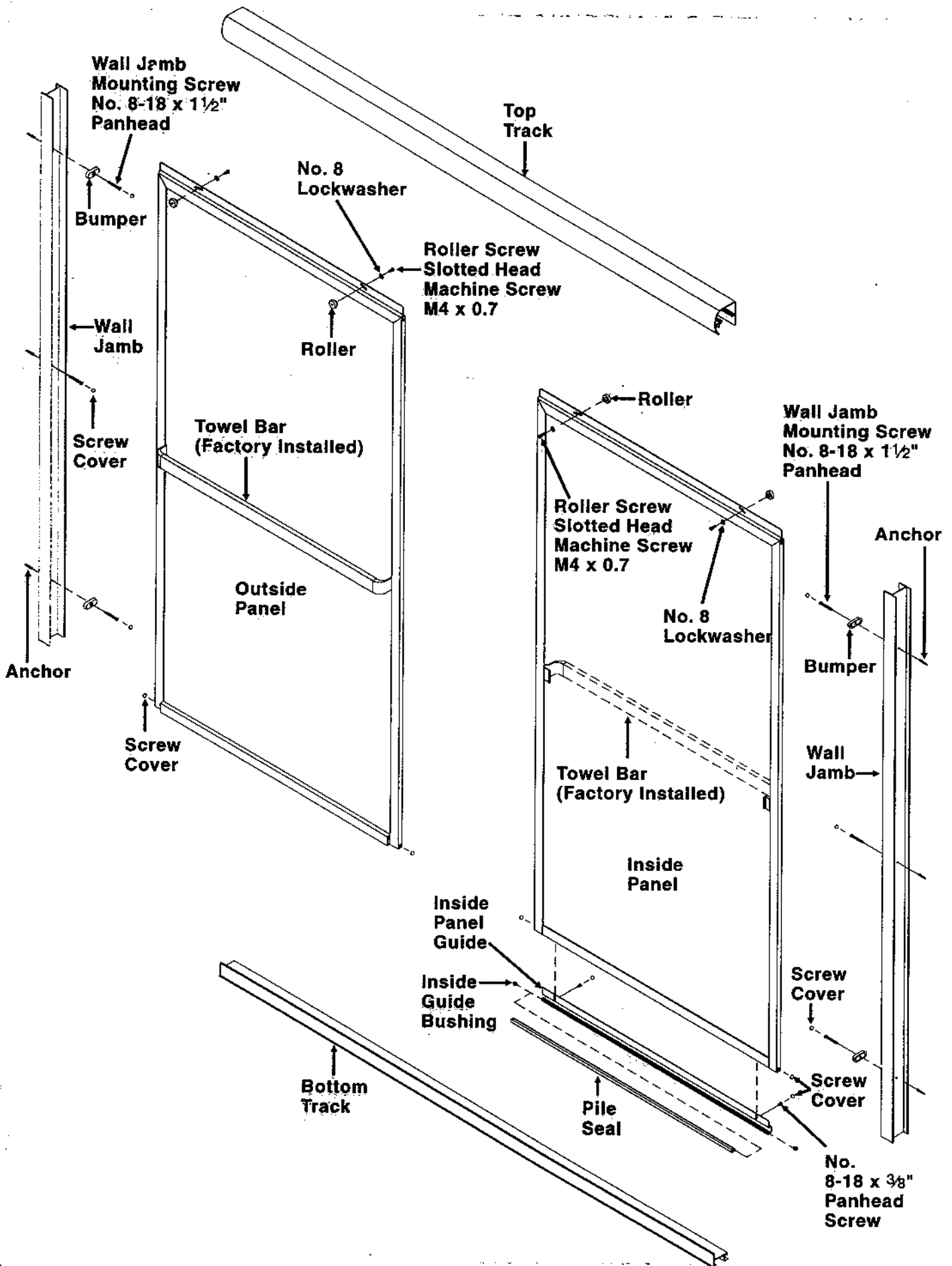
NEVER USE SCOURING POWDER, PADS OR SHARP INSTRUMENTS ON METAL WORK OR GLASS PANELS.

The use of a squeegee following each shower is recommended to eliminate water spots on the inside of the glass panels.

An occasional wiping down with a mild detergent diluted in water is all that is needed to keep the panels and anodized aluminum parts looking new.

CAUTION: TEMPERED GLASS CAN NOT BE CUT.

part names for installation

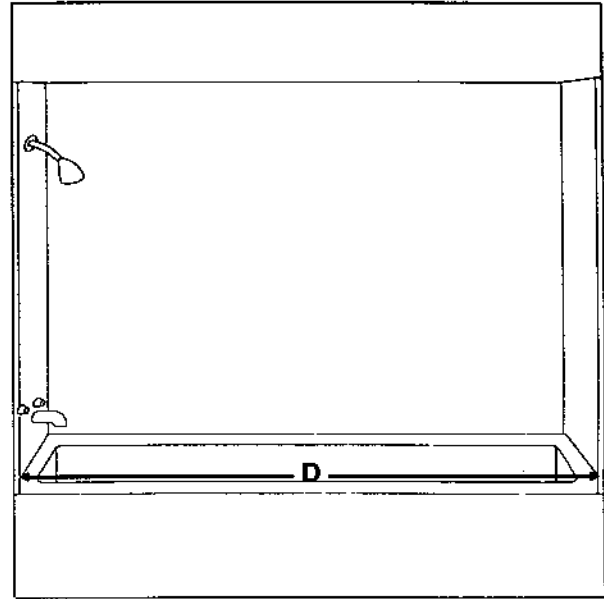


1 MEASURING AND CUTTING BOTTOM TRACK

Note: Wear Safety Glasses.

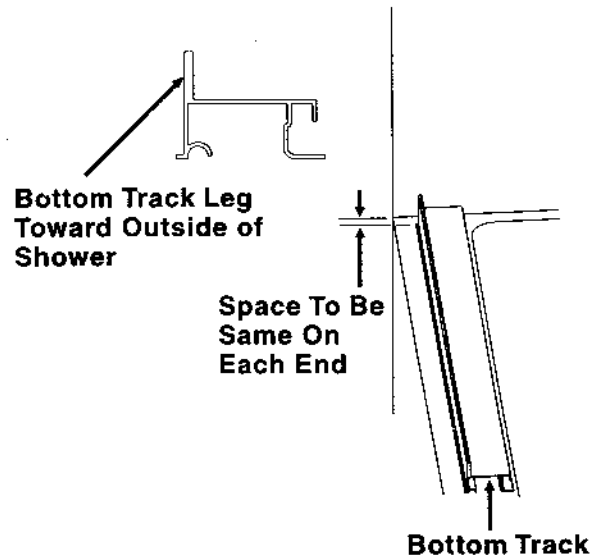
CAUTION: If a steel tape is used, be sure to add the width of the case to the measurement.

- A. Measure distance **D** from wall to wall. If walls have curves at bottom near ledge, measure above curves.
- B. **IMPORTANT: Measure distance **D** again to be sure of the correct measurement.**
- C. Cut the bottom track $15/32$ " less than distance measured. **Check subtraction to be sure of exact length before cutting bottom track.** For best results, use a 32 tooth hacksaw blade and a miter box.



2 LOCATING BOTTOM TRACK

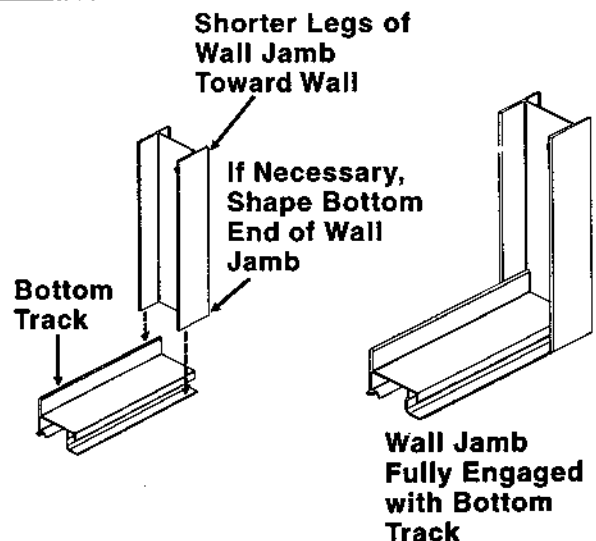
- A. Place the bottom track on the flattest part of the ledge with the leg of the track towards the outside of the shower.
- B. Make sure that the space between the wall and the ends of the bottom track is the same on both ends.
- C. Temporarily fasten the bottom track to the shower ledge with masking tape.
- D. Mark the ledge with a soft pencil along the front edge of the track.



3 LOCATING WALL JAMB

IMPORTANT: Wall Jamb must sit flat against the wall with the legs of jamb fully engaged with bottom track.

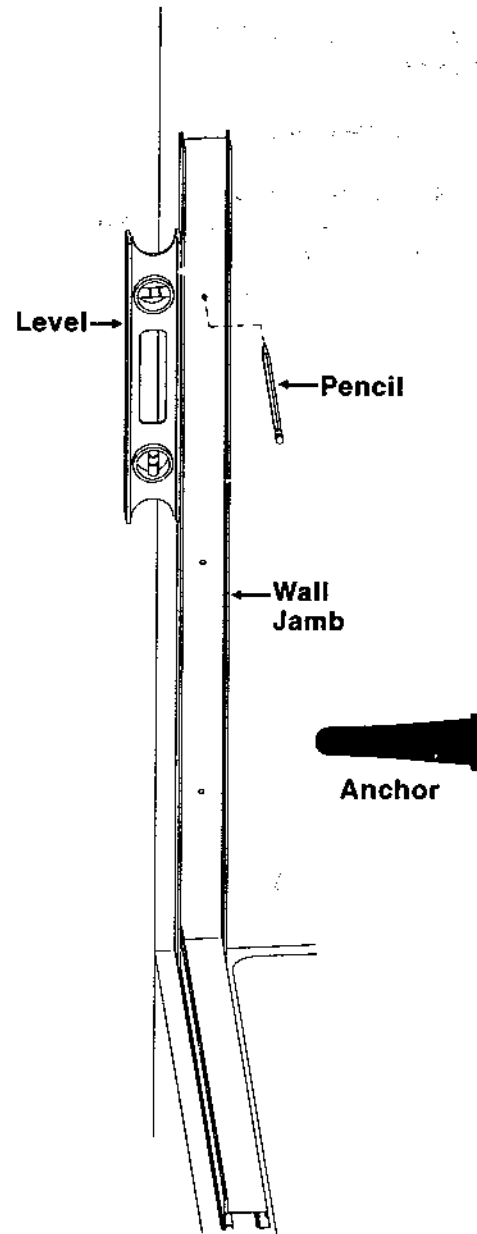
- A. Place a wall jamb down over end of bottom track.
- B. If the jamb is not fully engaged with the bottom track, use a file to shape the bottom end of wall jamb to fit the curve at side wall of shower.



4 MARKING HOLE LOCATIONS AND DRILLING

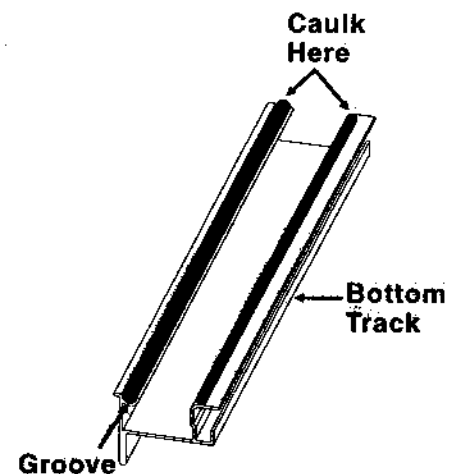
Note: Wear Safety Glasses.

- A. Use a level to plumb the wall jamb as shown and mark the 3 hole locations.
- B. Remove wall jamb and lightly center punch the 3 hole locations. **Note:** On ceramic tile, use the center punch to nick the surface glaze. Tap the punch lightly with your hammer so you don't crack the tile.
- C. Drill all 3 holes with a $\frac{3}{16}$ " drill bit. Use a masonry bit for ceramic tile.
- D. After drilling, thoroughly clean the tub or shower ledge and insert plastic anchors into the 3 drilled holes.
- E. Repeat steps 3 and 4 to locate and drill holes for the other wall jamb on opposite wall.



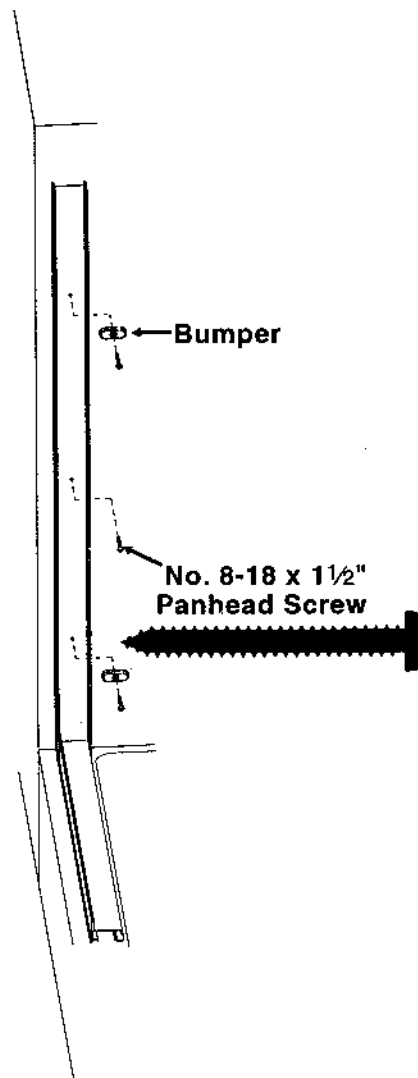
5 CAULKING BOTTOM TRACK

- A. Remove the bottom track from the shower ledge.
- B. Apply a bead of caulk into the groove on the underside of the track and a small bead on the opposite leg.
- C. Install bottom track on ledge at location marked in step 2.



6 INSTALLING WALL JAMBS

- A. Place wall jamb over the bottom track and align the holes in the wall jamb with the holes in the wall.
- B. Secure the wall jambs with 3 No. 8-18 x 1½" panhead screws with a **bumper** inserted over the **screws** to be installed at **top** and **bottom** of wall jamb.
- C. Repeat A. and B. to install the other wall jamb.

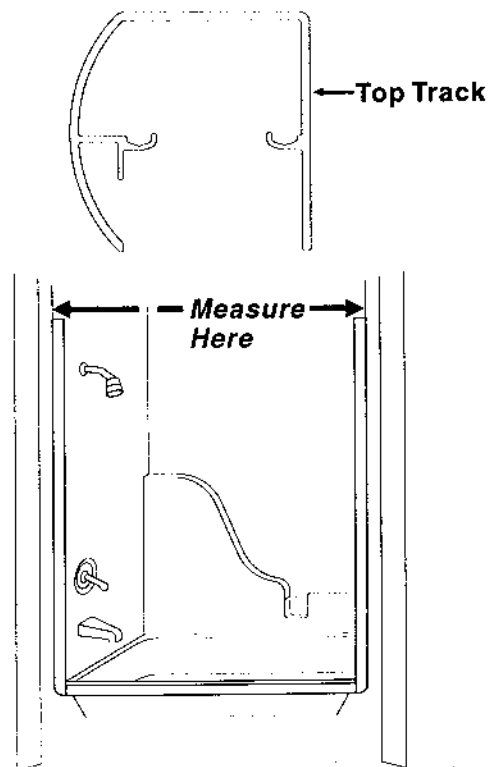


7 MEASURING, CUTTING AND INSTALLING TOP TRACK

Note: Wear Safety Glasses.

CAUTION: If a steel tape is used, be sure to add the width of the case to the measurement.

- A. Measure the wall to wall opening at the top of installed wall jambs.
- B. Cut the top track 1/32" less than distance measured. For best results, use a 32 tooth hacksaw blade and a miter box.
- C. **Option:** Either the curved or flat side of top track can be installed toward the outside of shower.
- D. File rough edges at cut end of top track and install over the wall jamb ends.



8 INSTALLING ROLLERS

NOTE: The Steel Side of Roller must be installed against the Top Frame Flange.

- A. **Outside Panel (See Figure 1)**—Place rollers on the towel bar side of the top frame flange.
- B. Insert No. 8 lock washers onto the M4 x 0.7 machine screws and secure the rollers to the top frame flange.

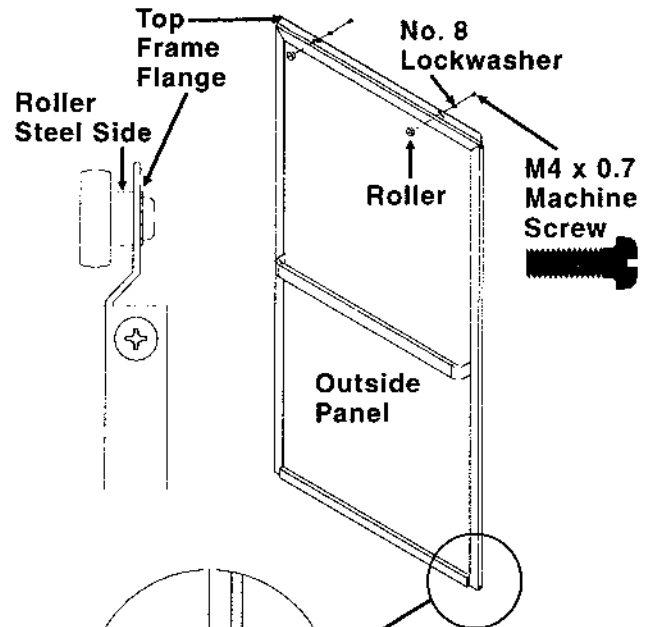
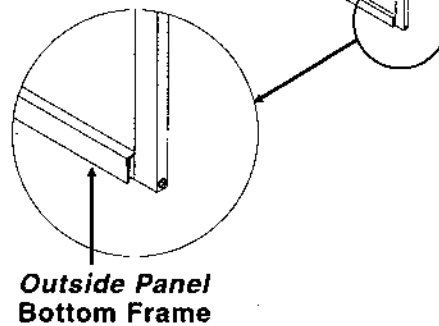
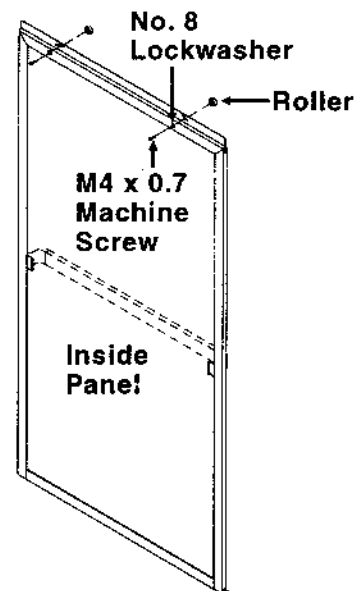


FIGURE 1

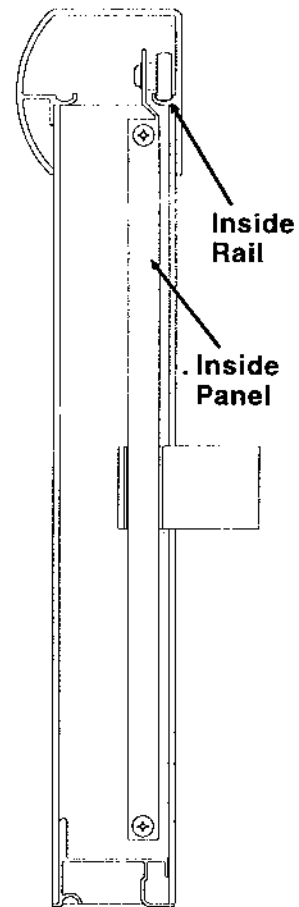


- C. **Inside Panel**—Place rollers on the towel bar side of the top frame flange.
- D. Insert No. 8 lock washers onto the M4 x 0.7 machine screws and secure the rollers to the top frame flange.



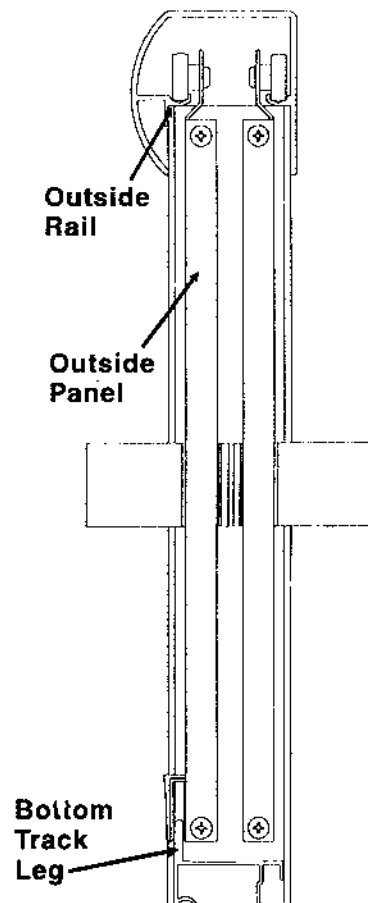
9 INSTALLING INSIDE DOOR PANEL

- A. From outside of the shower, install the inside panel first
- B. Lift the inside panel up inside the top track and hang the rollers on the inside rail of the top track.
- C. Align the inside panel with the wall jamb on the showerhead side.
- D. If adjustment is needed, remove the panel.
- E. Loosen roller screw(s) and move the roller(s) in slot to align the panel.
- F. Tighten screw(s) and hang the panel.



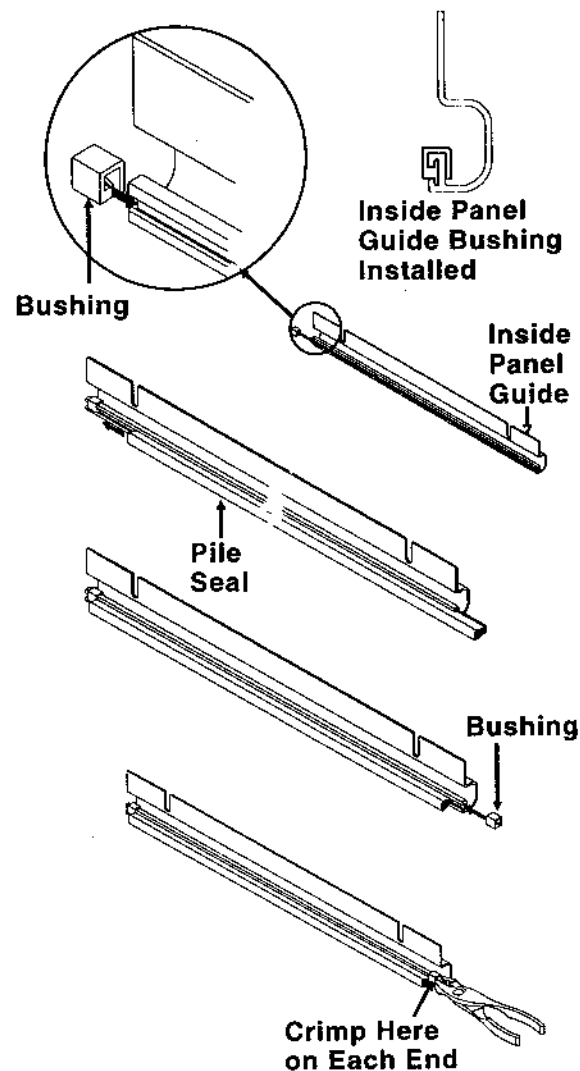
10 INSTALLING OUTSIDE DOOR PANEL

- A. From outside of the shower, install the outside panel.
- B. Lift the outside panel up inside the top track and hang the rollers on the outside rail of the top track.
- C. Lower the panel bottom until it is over the leg of the bottom track as shown.
- D. Align the outside panel with the wall jamb opposite the showerhead side.
- E. If adjustment is needed, remove the panel.
- F. Loosen roller screw(s) and move the roller(s) in slot to align the panel.
- G. Tighten screw(s) and hang the panel.



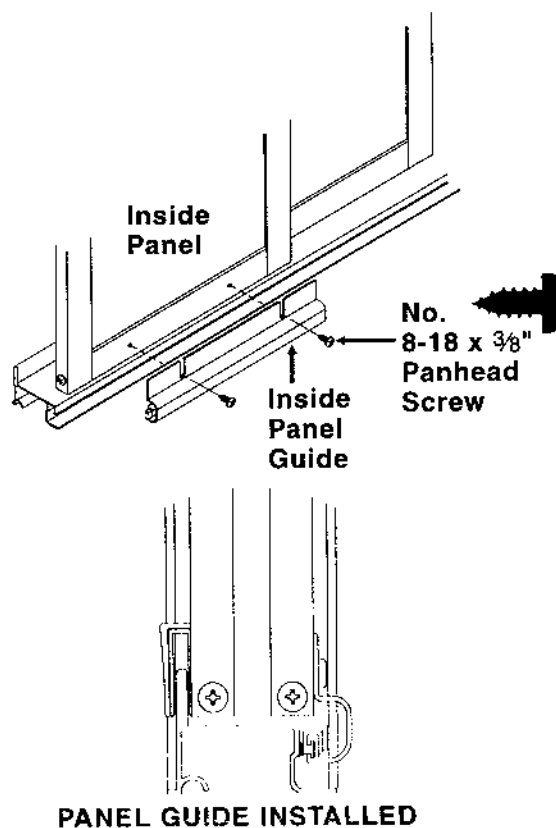
11 INSTALLING PILE SEAL AND BUSHING

- A. Push a bushing into one end of the inside panel guide.
- B. Measure the length of the panel guide and cut the pile seal 1" less than measurement.
- C. Slide the pile seal into the panel guide as shown.
- D. Push a bushing into end of panel guide.
- E. With pliers, **crimp on each end** of panel guide to hold bushing in place.



12 INSTALLING INSIDE PANEL GUIDE

- A. From inside the shower, engage the inside panel guide into the opening in the bottom track.
- B. Align the slots in the panel guide with the holes in the bottom frame of panel.
- C. Install 2 No. 8-18 x $\frac{3}{8}$ " panhead screws through the slots in guide into holes in bottom frame of panel. Do not tighten screws now.
- D. Push the guide all the way up into the bottom track. Lower the guide slightly for clearance and tighten screws.
- E. Move panel back and forth along full width of opening to insure there is no binding.
- D. If the panel binds, loosen the screws and re-adjust the guide.



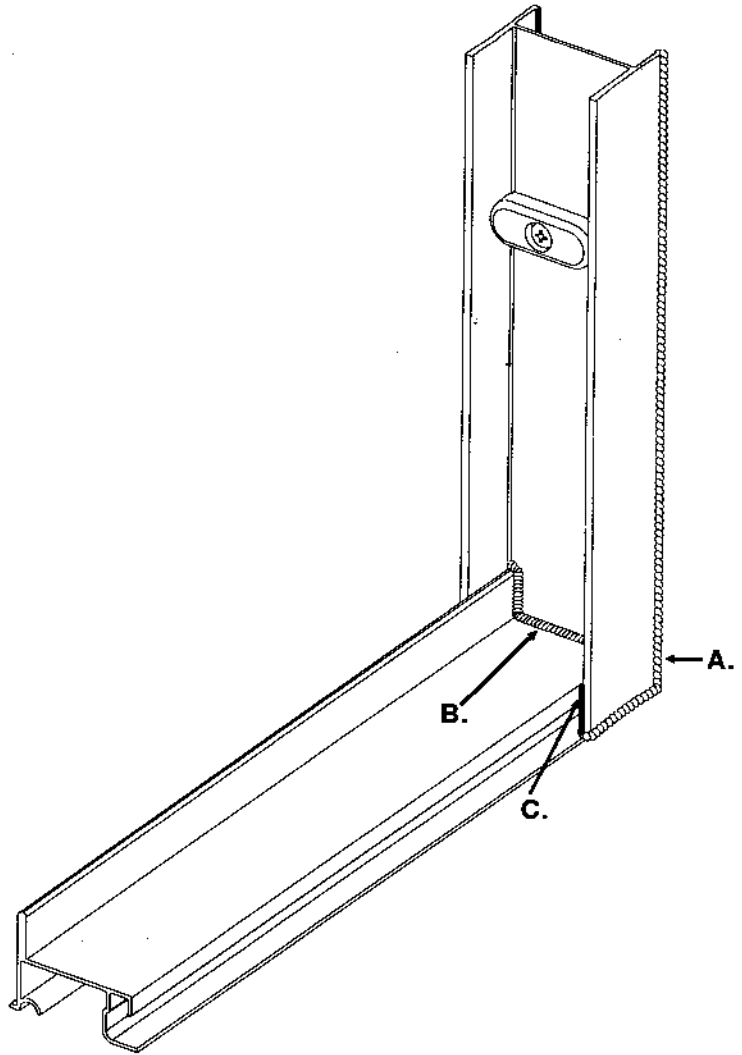
13 CAULKING

Thoroughly clean and dry all dust, dirt, or grease from bottom track and shower ledge surfaces to be sealed.

Carefully caulk where:

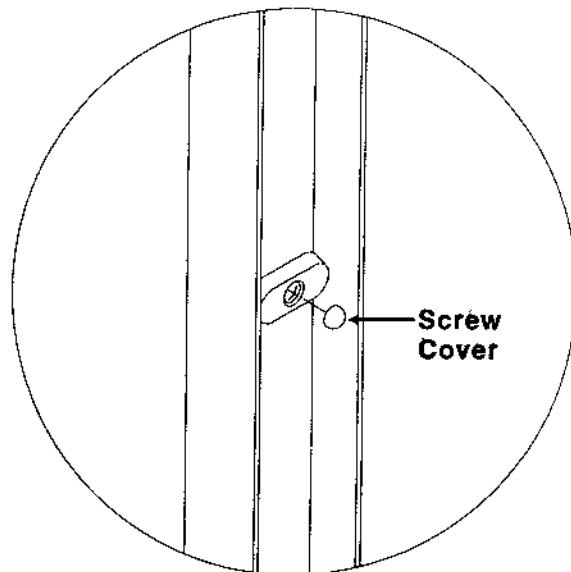
- A. Wall jambs and wall meet.
- B. Bottom track and wall jamb join.
- C. Fill with caulk.

Allow caulk to set 24 hours before using shower.



14 INSTALLING SCREW COVERS

- A. Install screw covers, (6 places), over wall jamb screws.
- B. Install screw covers, (4 places), over bottom frame screws.
- C. Install screw covers, (2 places), over inside panel guide screws.



parts list

