



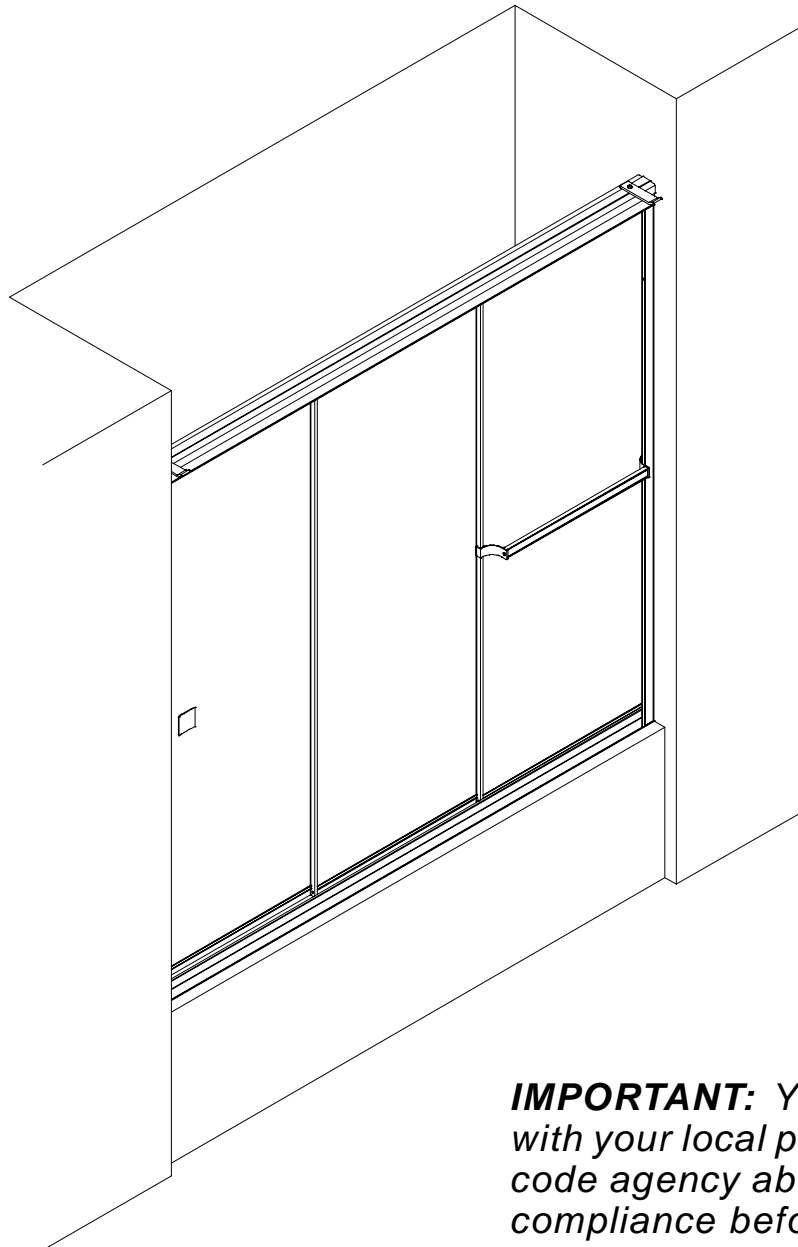
VISTA-GLIDE II™

TRI-DOOR

**Series-1700D
Tub/Shower Door**

INSTALLATION INSTRUCTIONS

Please read these instructions carefully to familiarize yourself with the required tools, materials, and installation sequences. The Exploded Diagram of the door on page 3 will also provide a helpful reference when relating the location of the various parts.



IMPORTANT: *You should check with your local plumbing or building code agency about this product for compliance before it is installed.*

basic tools and materials needed

TOOLS

6 FOOT FOLDING RULE OR MEASURING TAPE
HACKSAW WITH 32 TEETH PER INCH BLADE
MITER BOX OR SQUARE
HAMMER
ELECTRIC DRILL
DRILL BIT— $\frac{3}{16}$ "
MASONRY BIT FOR CERAMIC TILE— $\frac{3}{16}$ "
SCREWDRIVER—PHILLIPS
LEVEL
FINE FILE
PENCIL
CENTER PUNCH
SAFETY GLASSES
CAULKING GUN

MATERIALS

MASKING TAPE
CAULK

how to care for your door

NEVER USE SCOURING POWDER, PADS OR SHARP INSTRUMENTS ON METAL WORK OR GLASS PANELS.

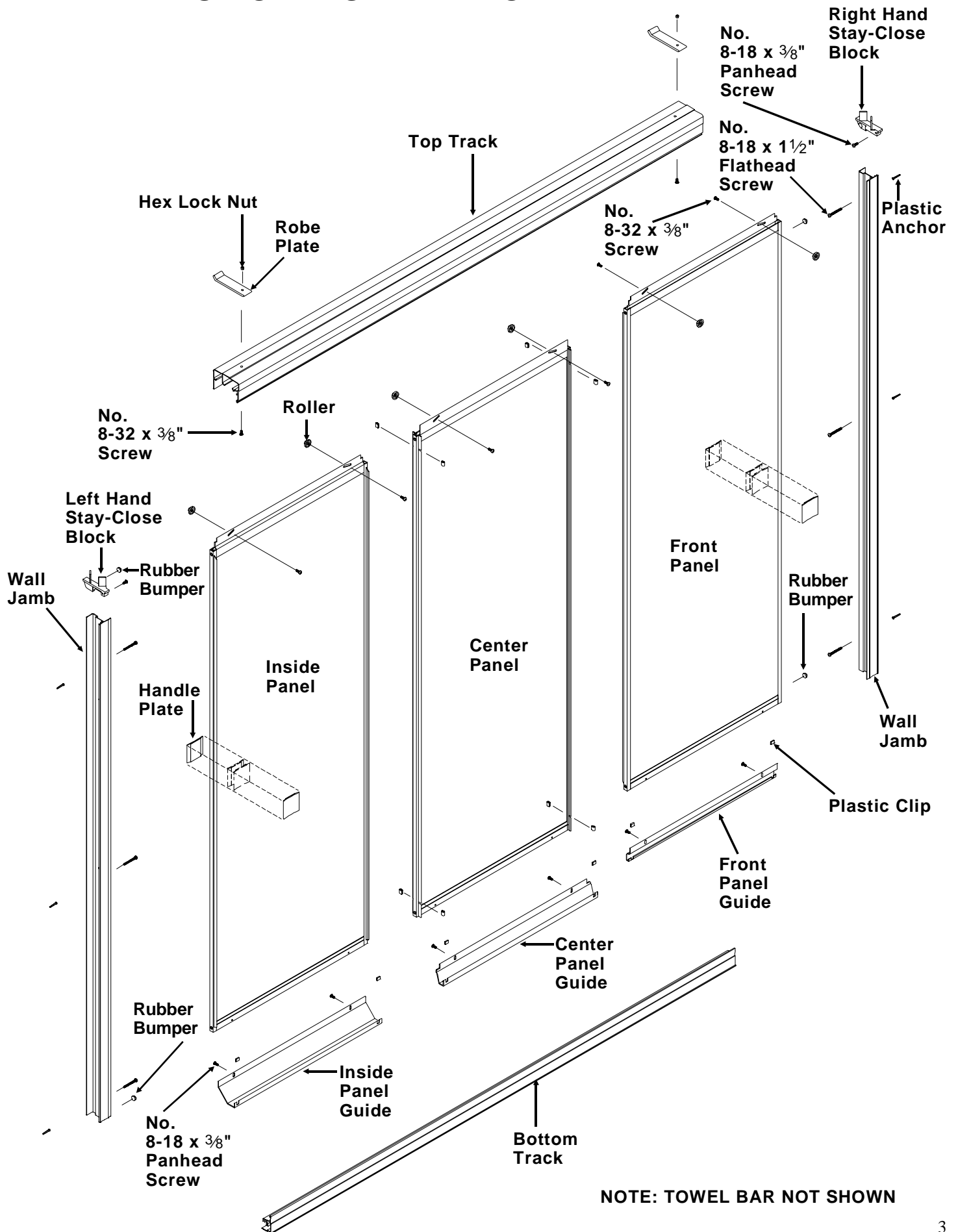
The use of a squeegee following each shower is recommended to eliminate water spots on the inside of the glass panels.

An occasional wiping down with a mild detergent diluted in water is all that is needed to keep the panels and anodized aluminum parts looking new.

Mirror panels are made of a tempered glass to comply with the Federal Glazing Standards. You may notice some distortion in the mirror as tempered glass will not reflect a perfectly true image. This is an inherent condition found in all tempered glass mirrors.

CAUTION: TEMPERED GLASS\MIRRORS CAN NOT BE CUT.

PART NAMES FOR INSTALLATION



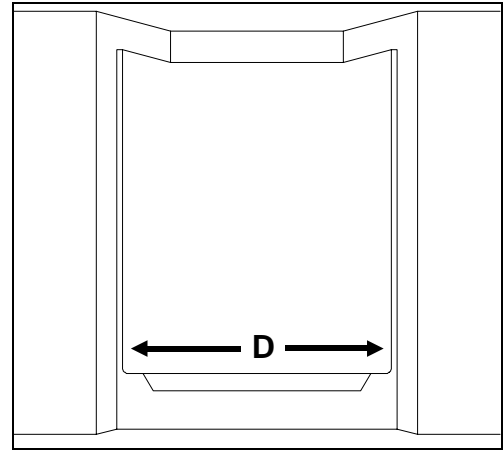
NOTE: TOWEL BAR NOT SHOWN

1 MEASURING FOR BOTTOM TRACK

NOTE: If your shower has a curve in the corners at the side walls, be sure to measure distance **D** above curves.

Measure distance **D** at the flattest part of the tub or shower ledge.

CAUTION: If a steel tape is used, be sure to add the width of the case to the measurement.



2 CUTTING BOTTOM TRACK

NOTE: Wear Safety Glasses.

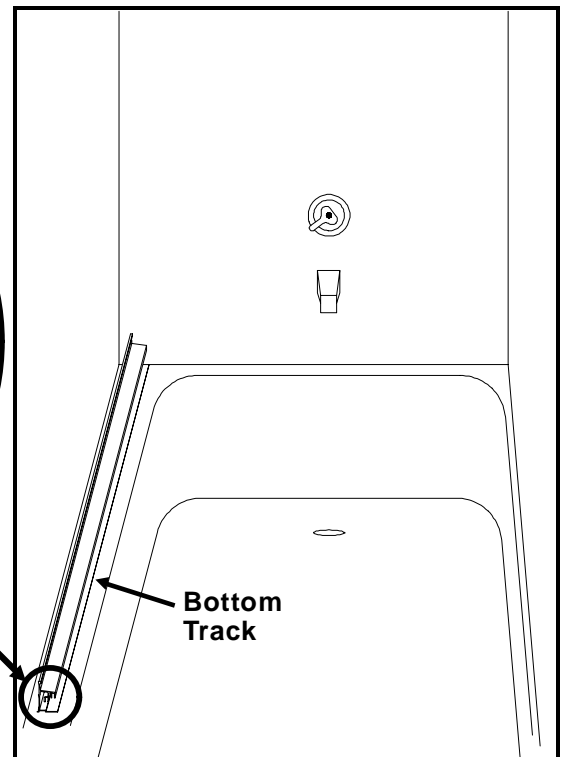
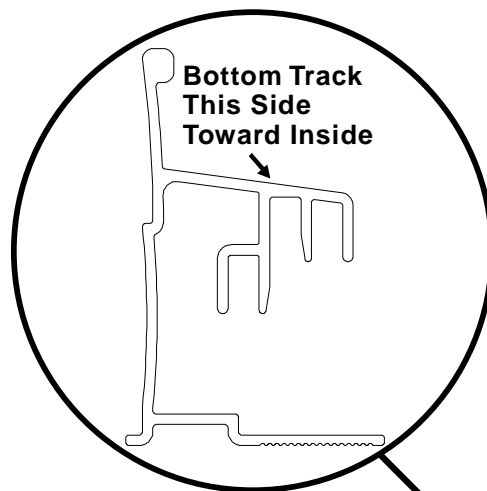
Cut bottom track $1\frac{1}{4}$ " shorter than distance **D**.

IMPORTANT: Do not measure and cut top track until wall jambs have been installed. (See step 9).

For best results use a 32 tooth hacksaw blade and a miter box.



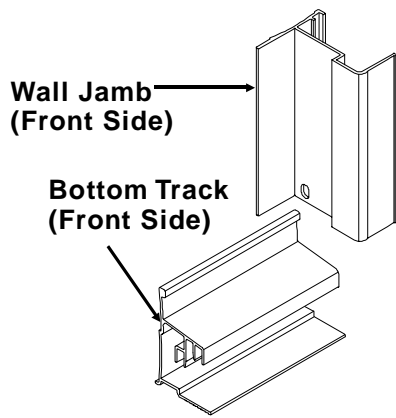
3 LOCATING BOTTOM TRACK



Place the bottom track on the flattest part of the ledge with the sloping face of the track towards the inside of the shower. Make sure that the space between the wall and track is the same on both ends.

Fasten the track with masking tape. Mark the ledge with a soft pencil along the front edge of the track.

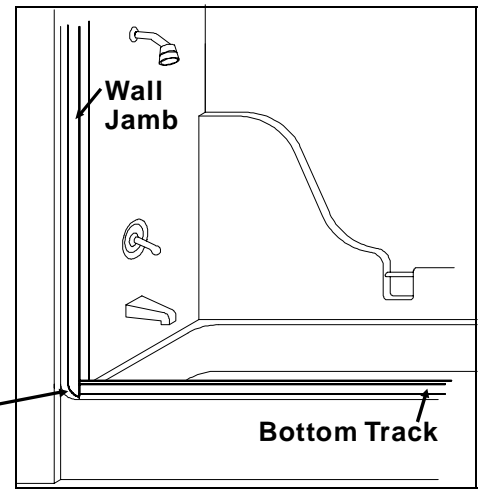
4 LOCATING WALL JAMB



Place one wall jamb down over end of bottom track. Wall jamb must sit flat against the wall with the legs of wall jamb fully engaged with bottom track.

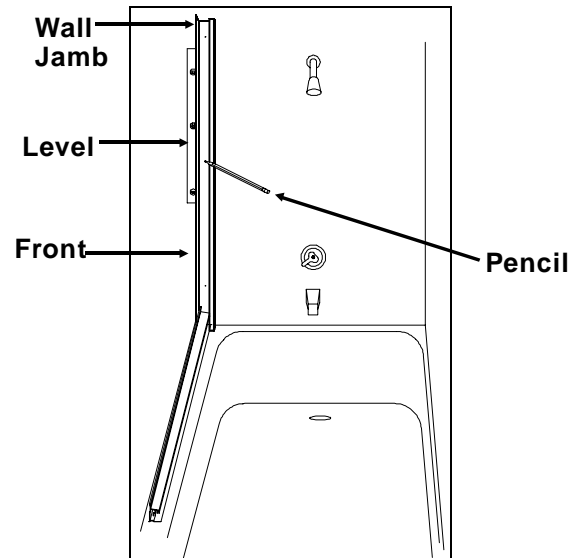
NOTE: you may need to shape the bottom ends of jambs to fit units having a curve at the side walls.

Round off bottom ends of wall jambs if necessary.



5 MARKING HOLE LOCATIONS

Use a level to plumb the wall jamb as shown and mark the 3 hole locations. Repeat procedure at opposite end of unit with other jamb.

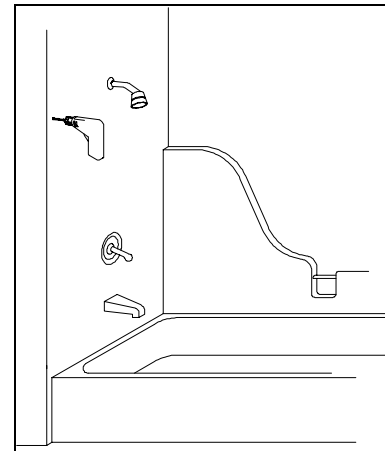


6 DRILLING HOLES

NOTE: Wear safety Glasses

Remove bottom track. Lightly center punch the 3-hole locations for each wall jamb. On ceramic tile, use the center punch to nick the surface glaze. Tap the punch lightly with your hammer so you don't crack the tile.

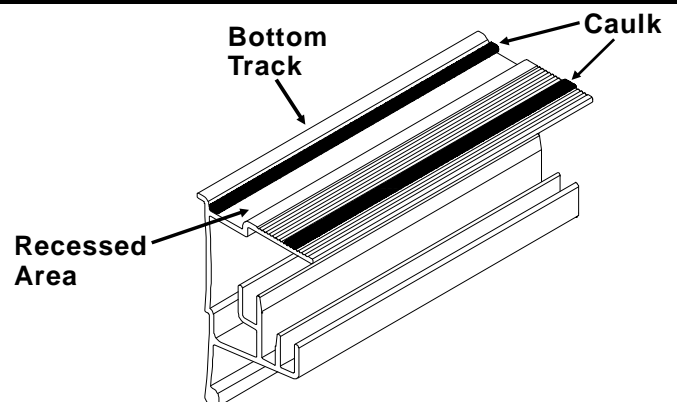
Drill all 6 holes with a $\frac{3}{16}$ " drill bit (use a masonry bit for ceramic tile). After drilling, thoroughly clean tub or shower ledge. Insert plastic anchors in all 6 holes.



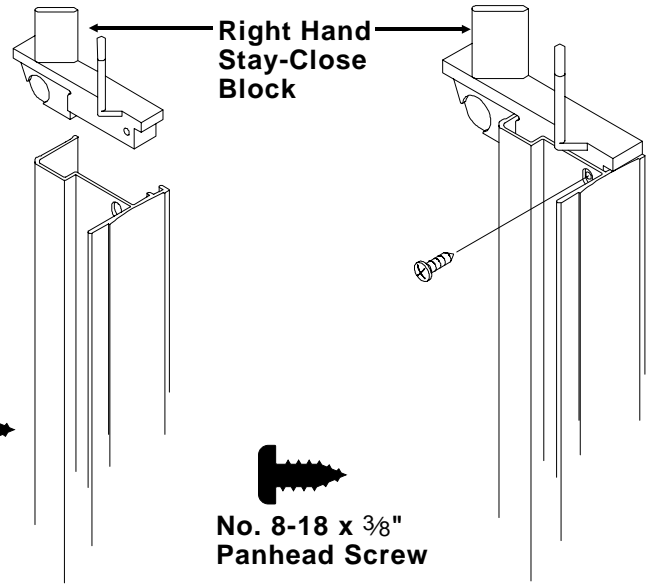
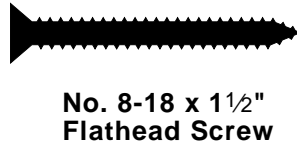
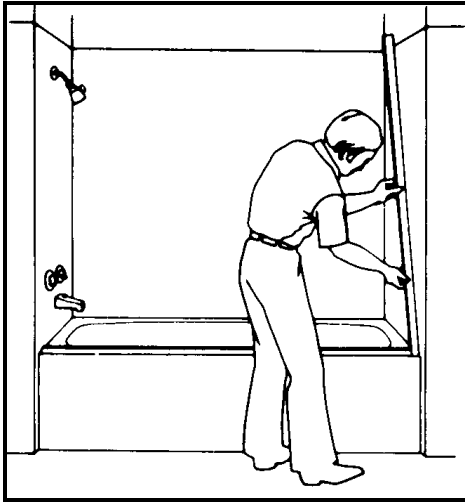
7 CAULKING BOTTOM TRACK

Apply two beads of caulk on the underside of the bottom track as shown. **NOTE:** One side of the bottom track has a recessed area. Apply enough caulk to just barely overfill the recessed area. This will give a good seal with the tub or shower ledge.

Install bottom track on ledge in location marked in step 3.



8 INSTALLING WALL JAMBS AND STAY-CLOSE BLOCKS



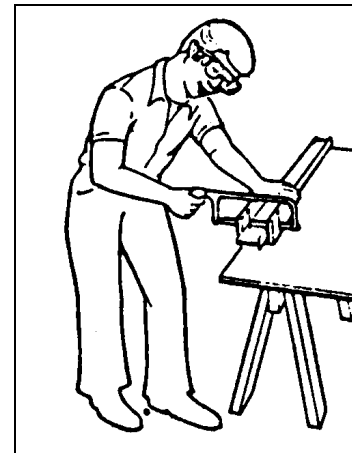
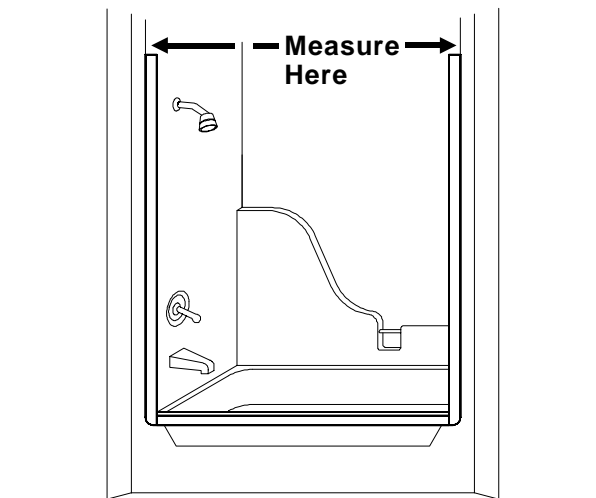
Install each wall jamb by inserting over the bottom track. Align the holes in the wall jamb with the holes in the wall.

Secure the wall jambs with No. 8-18 x 1 1/2" flathead screws.

NOTE: The stay-close blocks are marked left and right. Install the right block over the right wall jamb end insuring that the screw hole in block and the screw hole in wall jamb aligns. Repeat procedure for the left block and left wall jamb.

Secure blocks to wall jambs with No. 8-18 x 3/8" screws.

9 MEASURING AND CUTTING TOP TRACK



NOTE: Wear Safety Glasses.

Measure the wall to wall opening at the top of wall jambs.

Cut the top track 1/32" shorter than the actual measurement to allow for clearance. For best results, use a 32 tooth hacksaw blade and a miter box. File rough edges.

CAUTION: If a steel tape is used, be sure to add the width of the case to the measurement.

10 INSTALLING ROBE PLATES AND TOP TRACK

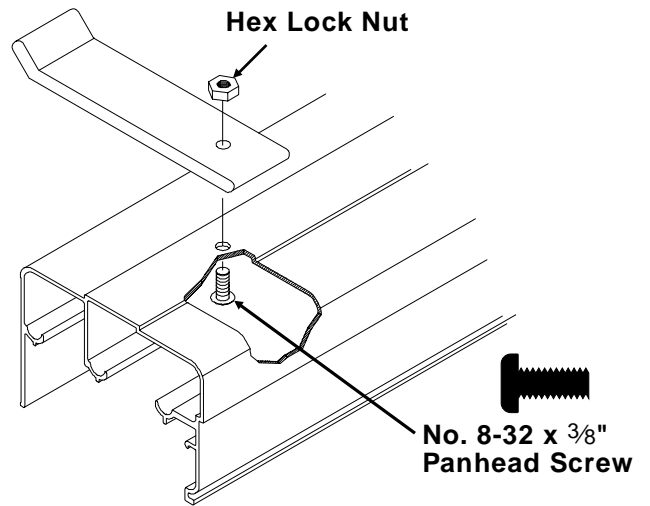
NOTE: Wear Safety Glasses.

PLACE THE TOP TRACK ON A FLAT SURFACE.

Two inches away from each end of the top track, drill and deburr a $\frac{3}{16}$ " diameter hole in the center of the top track. Using panhead screws No. 8-32 x $\frac{3}{8}$ " and hex lock nuts, secure a robe plate through each hole.

The robe plate can now be swung to project on either side of the top track.

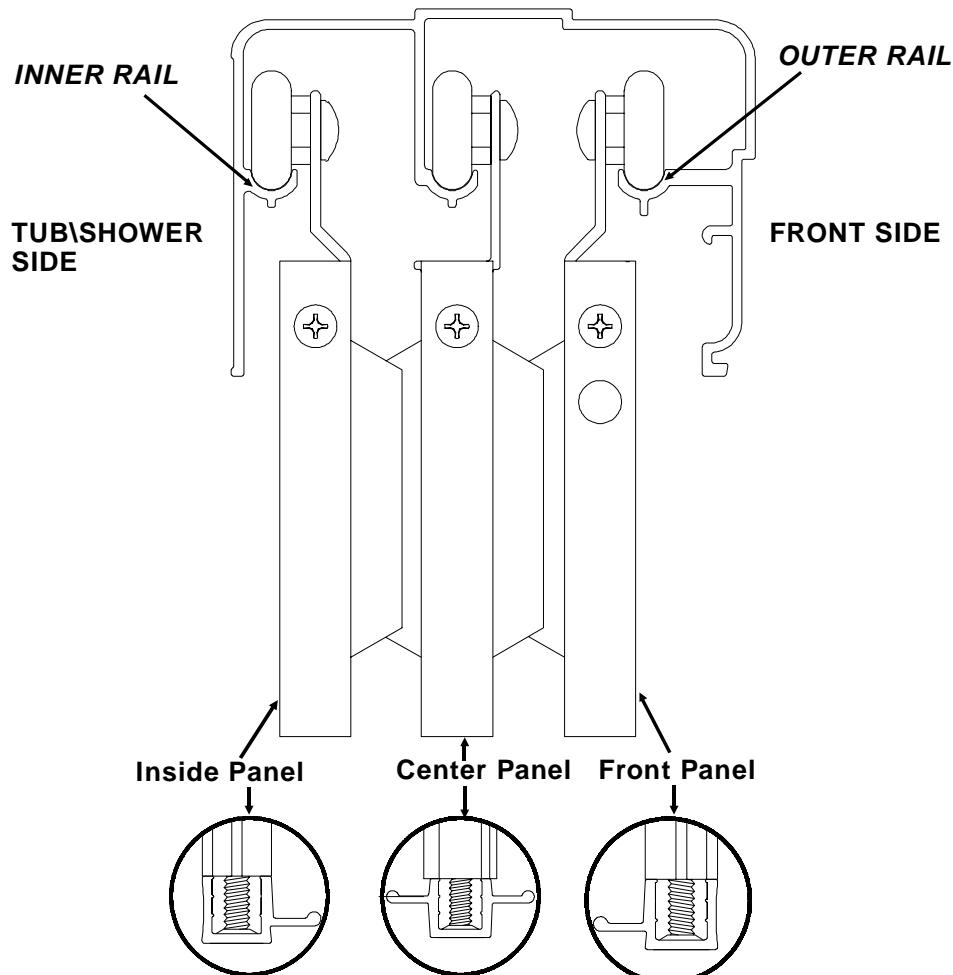
Install the top track over the wall jamb ends.



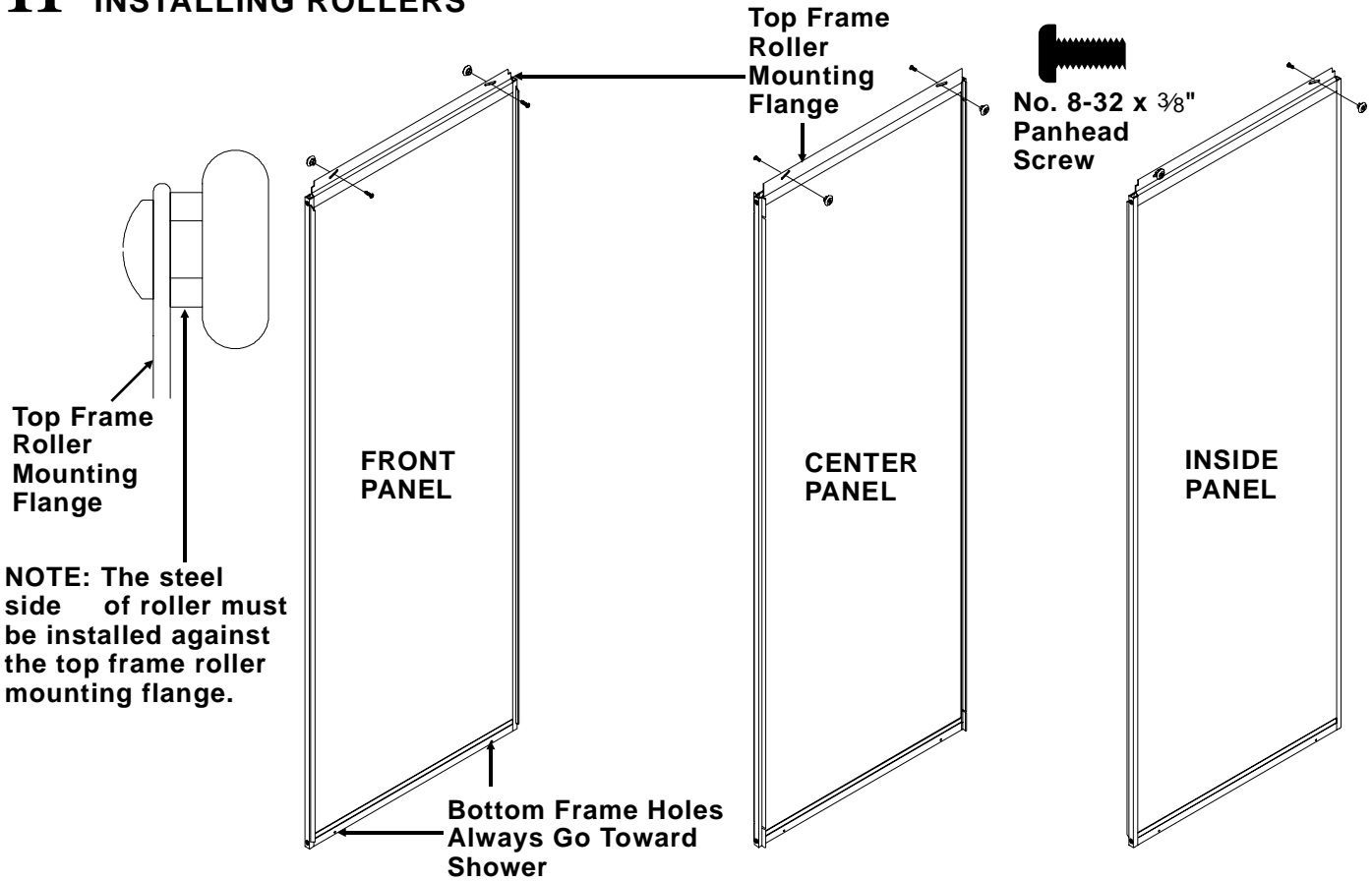
CORRECT INSTALLATION OF ROLLERS AND PANELS

INSTALLING THREE GLASS PANELS

FIGURE 1



11 INSTALLING ROLLERS



SEE PAGE 7, FIGURE 1 FOR PANEL IDENTIFICATION

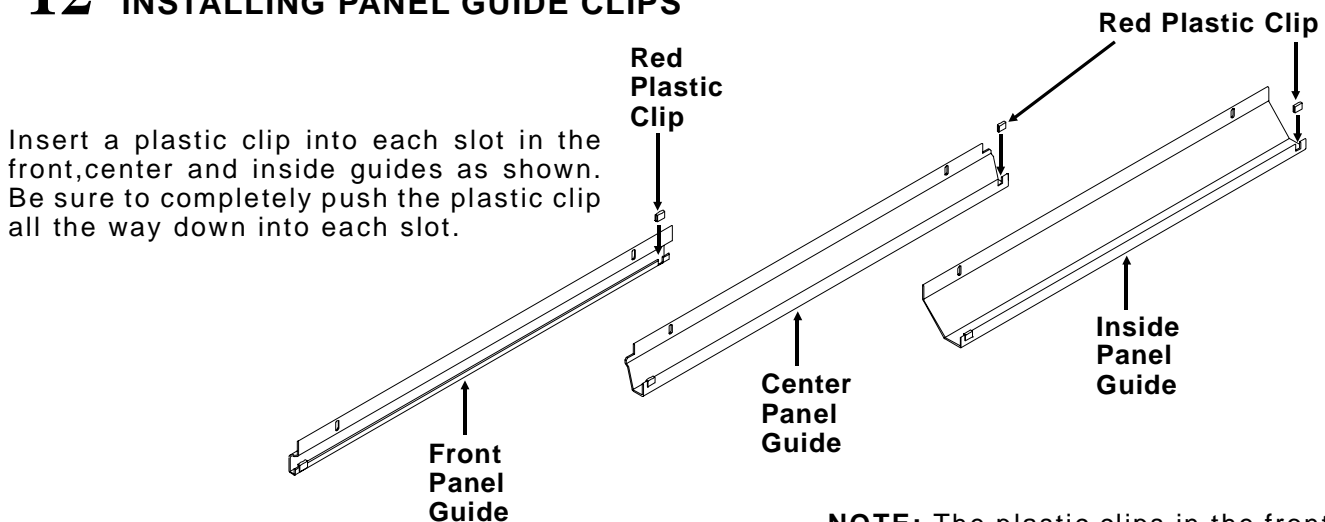
Using No. 8-32 x 3/8" panhead screws, assemble two rollers on each panel as shown.

FRONT PANEL—Attach the rollers to the top flange opposite the bottom frame holes.

CENTER PANEL—Attach the rollers on the same side of the top flange as the bottom frame holes.

INSIDE PANEL—Attach the rollers on the same side of the top flange as the bottom frame holes.

12 INSTALLING PANEL GUIDE CLIPS



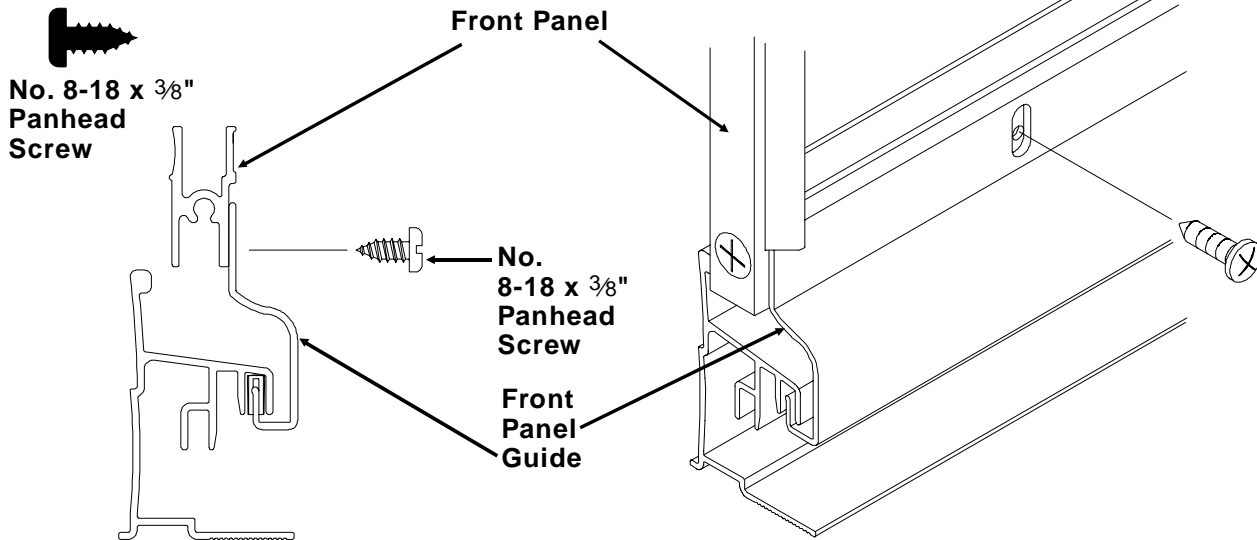
NOTE: The plastic clips in the front guide will stick up higher above the guide leg.

13 INSTALLING FRONT PANEL

Install the front door panel first. Lift it up inside the top track and hang the rollers on the outside rail of the top track. **SEE PAGE 7, FIGURE 1.**

Align the panel with the wall jamb opposite the showerhead. If adjustment is needed, remove the panel and loosen roller screw(s). Move the roller(s) in slot to align door panel. Tighten screw(s) and hang the door panel.

14 INSTALLING FRONT PANEL GUIDE

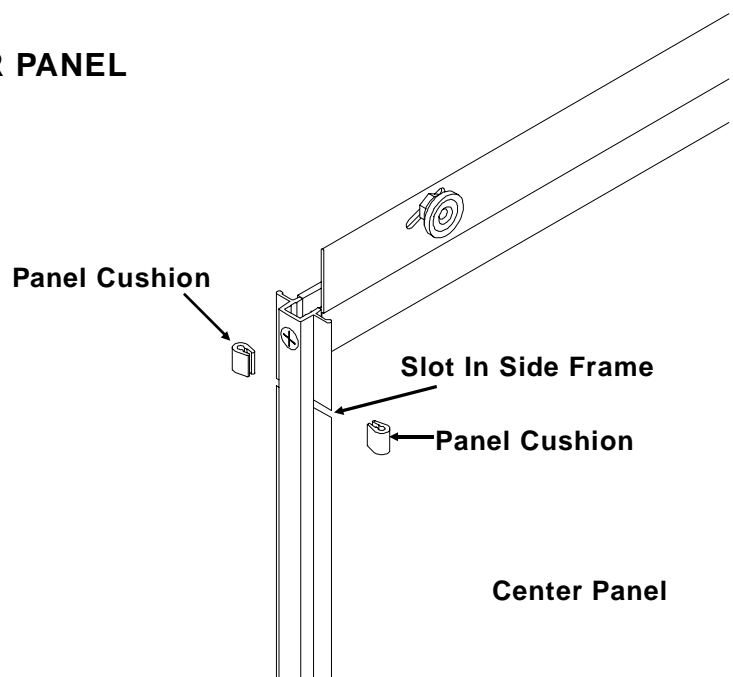


From inside the tub or shower, engage the front panel guide into the bottom track and the front panel as shown. Install two self-tapping screws through slots in the guide into bottom of front panel. **Do not tighten screws at this time.**

Push the front panel guide up into bottom track until guide bottoms-out in track. Now, lower guide slightly for clearance and tighten screws. Move panel back and forth along full width of door to insure smooth operation of panel. If binding is present, adjust guide again.

15 INSTALLING CUSHION TO CENTER PANEL

Attach 8 panel cushions to the center panel by pushing the cushions into the slots in the side frames until they snap into place.

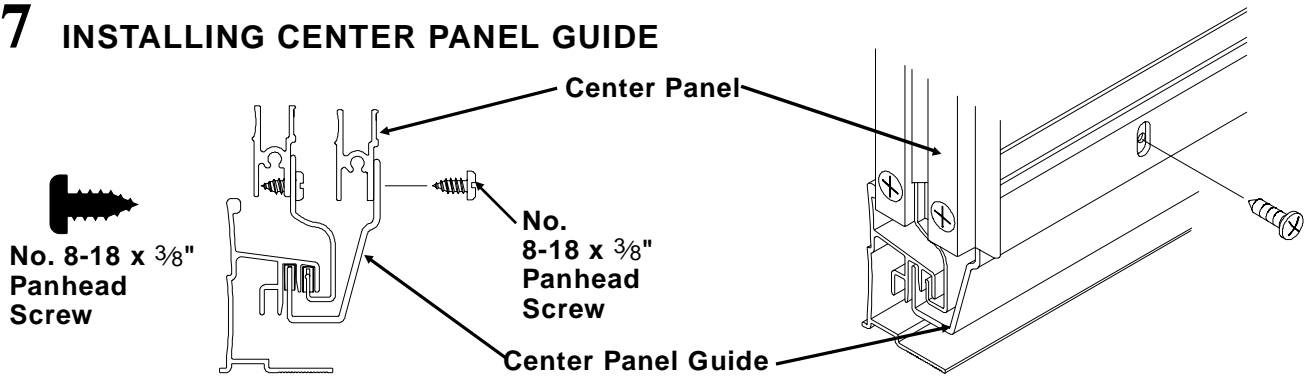


16 INSTALLING CENTER PANEL

Install center panel. **SEE PAGE 7, FIGURE 1.** Slide the front panel close to the wall opposite the showerhead. Lift the center panel inside the top track and hang the rollers on the center rail of the top track. The center panel rollers do not have to be adjusted.

Push in on the bottom of center panel. Move the front panel so that the grip edges of the panel side frames overlap.

17 INSTALLING CENTER PANEL GUIDE



From inside the tub or shower, engage the center panel guide into the bottom track and the center panel as shown. Install two self-tapping screws through slots in the guide into bottom of center panel. **Do not tighten screws at this time.**

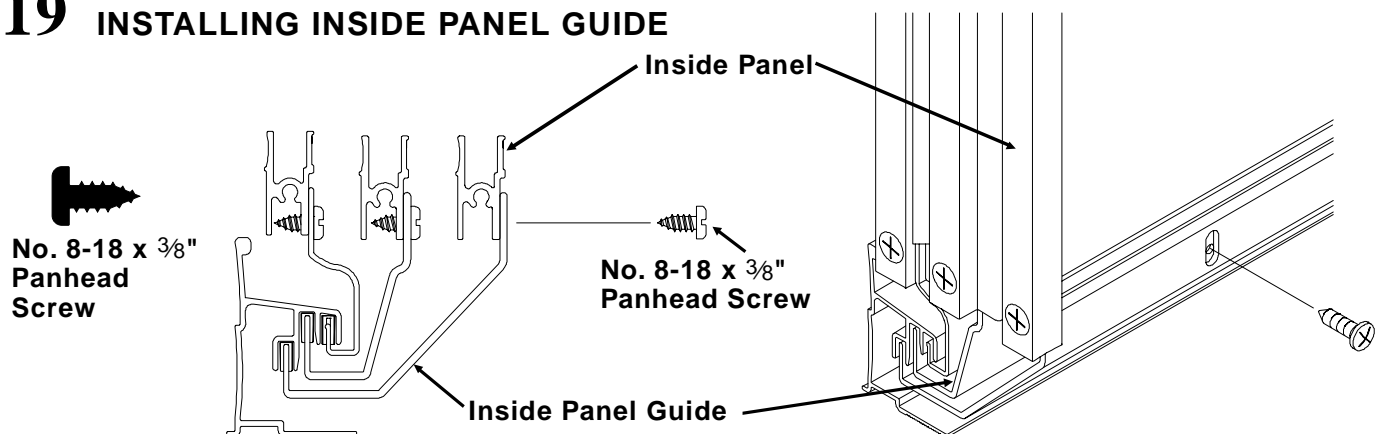
Push the center panel guide up into bottom track until guide bottoms-out in track. Now, lower guide slightly for clearance and tighten screws. Move panel back and forth along full width of door to insure smooth operation of panel. If binding is present, adjust guide again.

18 INSTALLING INSIDE PANEL

Slide the front and center panels close to the wall opposite the showerhead. Lift the inside panel inside the top track and hang the rollers on the inner rail of the top track. **SEE PAGE 7, FIGURE 1.** If necessary, remove panel and adjust rollers so that the panel aligns vertically with the wall on the same side as the showerhead. Adjust for out-of-plumb walls as in step 13.

Push in on bottom of the inside panel and move the inside panel so that the grip edges of the panel side frames overlap.

19 INSTALLING INSIDE PANEL GUIDE



From inside the tub or shower, engage the inside panel guide into the bottom track and the inside panel as shown. Install two self-tapping screws through slots in the guide into bottom of inside panel. **Do not tighten screws at this time.**

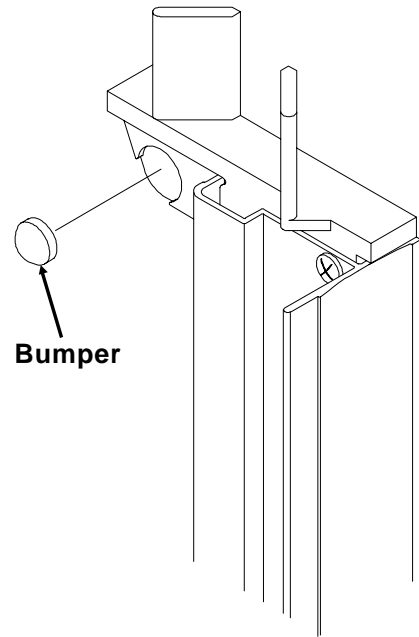
Push the inside panel guide up into bottom track until guide bottoms-out in track. Now, lower guide slightly for clearance and tighten screws. Move panel back and forth along full width of door to insure smooth operation of panel. If binding is present, adjust guide again.

20 INSTALLING BUMPERS

CAUTION: Be sure area is clean and dry before affixing bumpers.

Remove paper backing from the rubber bumpers and affix 1 on the front panel side frame at the top near the frame screw and 1 at the bottom.

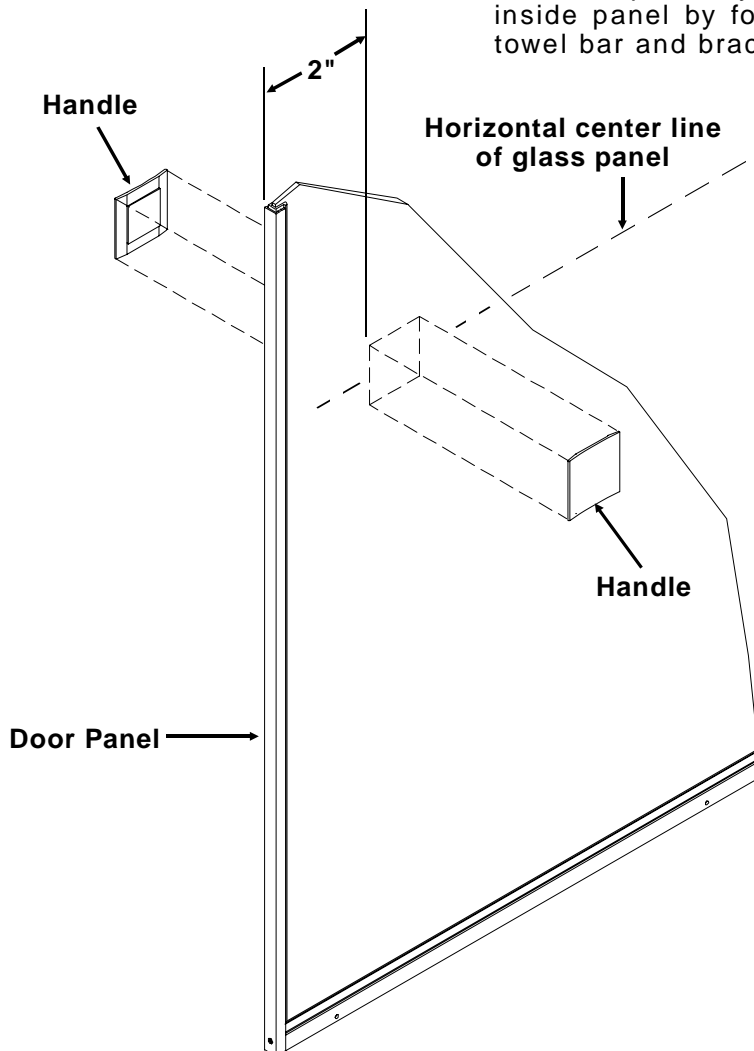
On the inside panel side, affix 1 bumper to the stay-close block as shown. Locate and affix one on the wall jamb at bottom so that it will be in-line with the inside panel guide.



21 INSTALLING HANDLES

NOTE: One towel bar and 4 handles are supplied with this door.

If towel bar is used, discard 2 handles and install the towel bar to the front panel by following steps 22 and 23. Install 2 handles to inside panel by following step 21. If 4 handles are used, discard towel bar and brackets and install handles by following step 21.



For handle installation, slide panels to close the door. Move the inside panel to the showerhead end of the tub or shower. **Be sure glass is clean and dry.**

Measure from top to bottom of the glass panel to determine the horizontal center line of the glass panel.

Remove the plastic covering from the pressure sensitive tape on the back of the four handles.

Align the center of the handle with the horizontal center line of the glass panel with the edge of handle 2" from the edge of the door panel. **Be sure the tape on handle does not touch glass panel until handle has been properly aligned.**

Affix the handle to the door panel as shown. Affix another handle exactly behind the first handle on the opposite side of the glass.

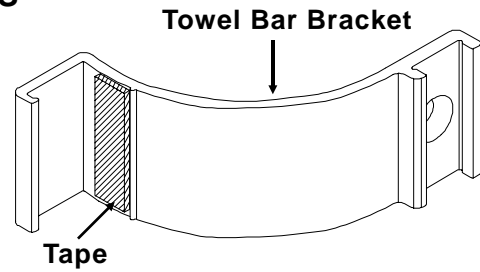
Repeat above procedure to affix handles on the front panel.

22 INSTALLING TAPE TO TOWEL BAR BRACKETS

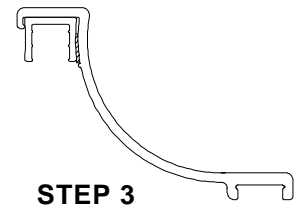
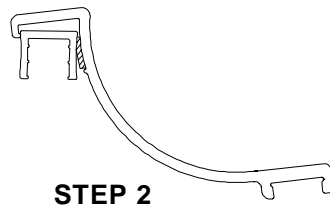
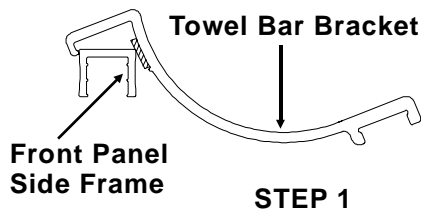
Cut 2 pieces of pressure sensitive tape $\frac{7}{8}$ " long.

Remove the backing from one side of the tape and attach the tape to the towel bar bracket as shown.

Repeat for the other towel bar bracket.



23 INSTALLING TOWEL BAR BRACKETS AND TOWEL BAR

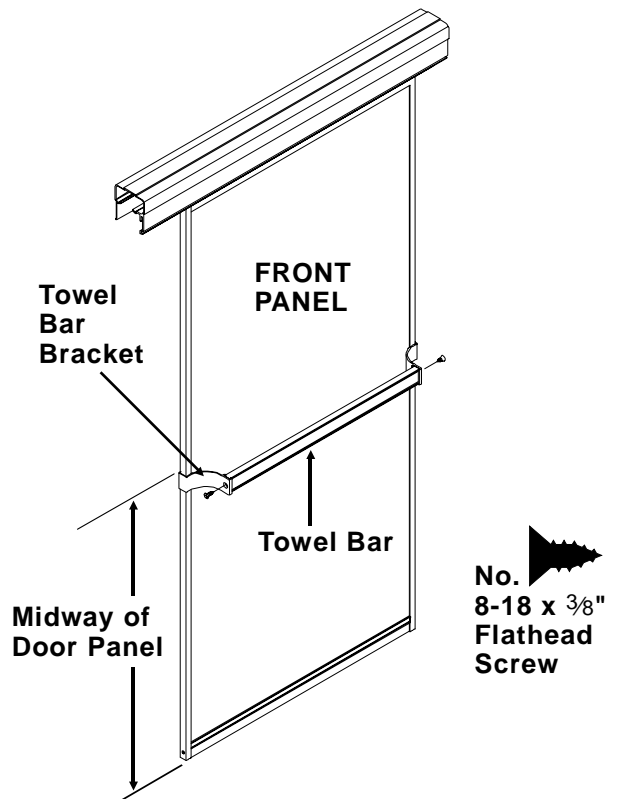


Install the towel bar brackets on the outside of the front panel.

Lock the towel bar brackets to the door panel side frames. **Be sure the distance to the towel bar brackets from the bottom of the door panel is the same on both sides of the door panel.** This will insure proper locking of the brackets to the door panel side frames.

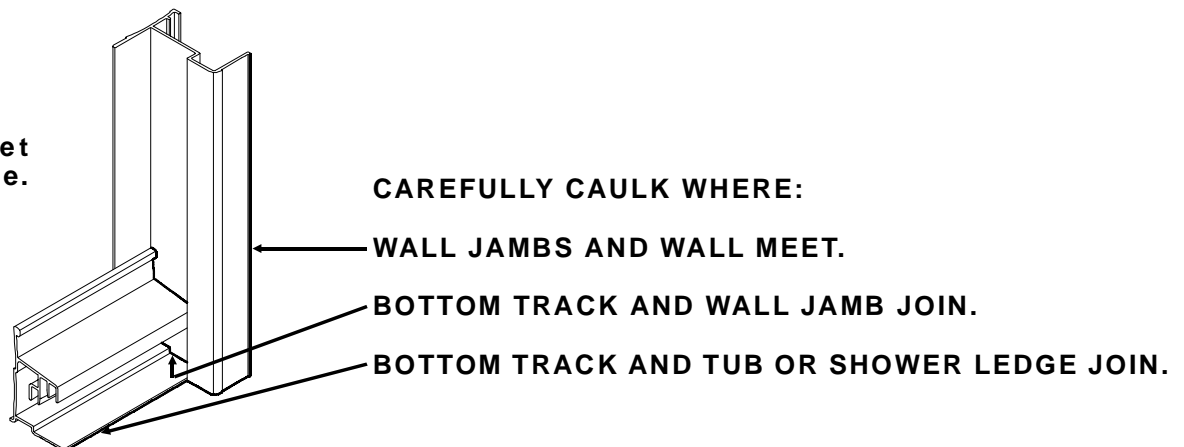
Refer to **STEP 1**, **STEP 2** and **STEP 3** to properly install brackets to door panel side frame.

Fasten the towel bar brackets to each end of towel bar using No. 8-18 x $\frac{3}{8}$ " flathead screws.

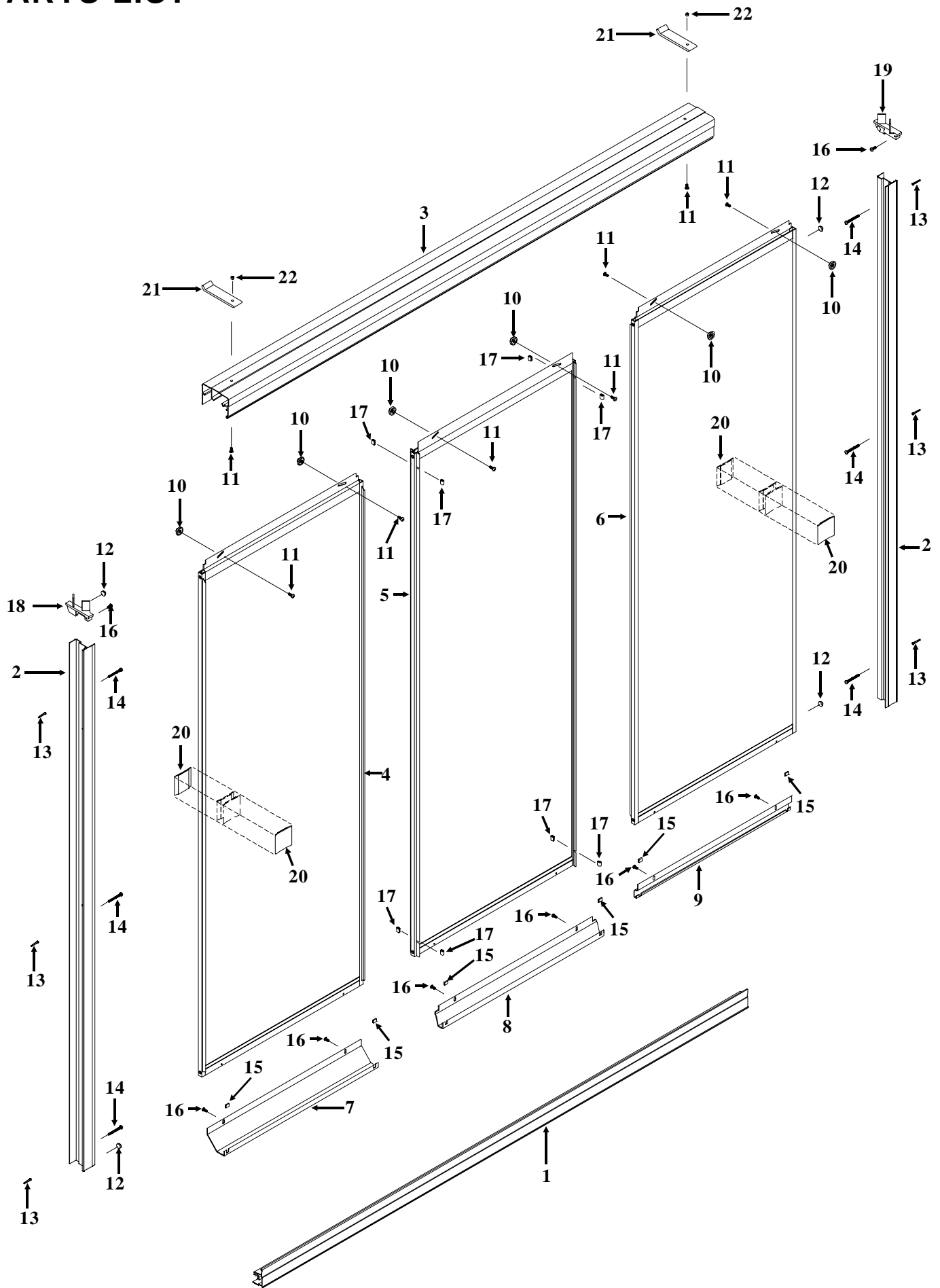


24 CAULKING

Allow caulk to set 24 hours before use.



PARTS LIST



PARTS LIST

When ordering parts, specify model number, part number, quantity and color.

Key No.	Description	Qty.	Part No. For Models				
			1700D-60S 1701D-60S 1709D-60S 1719D-60S 1762D-60S 1710D-60S 1720D-60S	1723D-60S	1701D-60G 1719D-60G 1720D-60G	1731D-48S	1731D-48G
1	Bottom Track	1	665102	665102	665113	665102	665113
2	Wall Jamb	2	665503	665503	665515	665512	665518
3	Top Track	1	664903	664903	664912	664903	664912
4	Inside Panel	1	672202 672204 672233 672236 672248 672202 672261	672275	672269 672277 672283	672225	672263
5	Center Panel	1	672101 672101 672101 672101 672101 672142 672101	672101	672130 672130 672130	672120	672145
6	Front Panel	1	672002 672004 672002 672036 672048 672002 672062	672076	672070 672079 672084	672028	672064
7	Inside Panel Guide	1	665803	665803	665813	665809	665816
8	Center Panel Guide	1	665903	665903	665913	665909	665916
9	Front Panel Guide	1	665703	665703	665729	665719	665738
10	Roller	6	555900	555900	555900	555900	555900
11	Screw-Roller-No. 8-32 x 3/8"- Panhead	8	456404	456404	456404	456404	456404
12	Rubber Bumper	4	612400	612400	612400	612400	612400
13	Nylon Anchor	6	162217	162217	162217	162217	162217
14	Screw-Wall Jamb-No. 8 x 1-1/2"- Flathead	6	310111	310111	310112	310111	310112
15	Plastic Clip	6	604900	604900	604900	604900	604900
16	Screw-No.8-18 x 3/8"-Panhead	8	456311	456311	456312	456311	456312
17	Panel Cushion	8	620700	620700	620700	620700	620700
18	Stay-Close Block—Left	1	664100	664100	664100	664100	664100
19	Stay-Close Block—Right	1	664000	664000	664000	664000	664000
20	Handle Plate	4	535301	535301	535305	535301	535305
21	Robe Plate	2	496600	496600	496600	496600	496600
22	Hex Lock Nut	2	495801	495801	495802	495801	495802
—	Towel Bar (Not Shown)	1	676118	676118	676126	676112	676136
—	Towel Bar Bracket (Not Shown)	2	675601	675601	675606	675601	675606
—	Towel Bar Bracket Screw (Not Shown)	2	310121	310121	310122	310121	310122
—	Tape-Towel Bar Bracket (Not Shown)	1	676200	676200	676200	676200	676200

PARTS LIST

When ordering parts, specify model number, part number, quantity and color.

Key No.	Description	Qty.	Part No. For Models				
			1701D-56S	1701D-56G	1723D-60PB 1762D-60PB	1731D-60G	1731D-60S
1	Bottom Track	1	665102	665113	665113	665113	665102
2	Wall Jamb	2	665503	665515	665515	665518	665512
3	Top Track	1	664903	664912	664912	664912	664903
4	Inside Panel	1	672219	672278	672276 672244	672279	672222
5	Center Panel	1	672114	672153	672130 672130	672154	672117
6	Front Panel	6	672022	672080	672077 672044	672081	672025
7	Inside Panel Guide	1	665806	665824	665813	665813	665803
8	Center Panel Guide	1	665906	665924	665913	665913	665903
9	Front Panel Guide	1	665716	665751	665729	665729	665703
10	Roller	6	555900	555900	555900	555900	555900
11	Screw-Roller-No. 8-32 x 3/8"- Panhead	8	456404	456404	456404	456404	456404
12	Rubber Bumper	4	612400	612400	612400	612400	612400
13	Nylon Anchor	6	162217	162217	162217	162217	162217
14	Screw-Wall Jamb-No. 8 x 1-1/2"- Flathead	6	310111	310112	310112	310112	310116
15	Plastic Clip	6	604900	604900	604900	604900	604900
16	Screw-No.8-18 x 3/8"-Panhead	8	456311	456312	456312	456312	456320
17	Panel Cushion	8	620700	620700	620700	620700	620700
18	Stay-Close Block—Left	1	664100	664100	664100	664100	664100
19	Stay-Close Block—Right	1	664000	664000	664000	664000	664000
20	Handle Plate	4	535301	535305	535305	535305	535301
21	Robe Plate	2	496600	496600	496600	496600	496600
22	Hex Lock Nut	2	495801	495802	495802	495802	495803
—	Towel Bar (Not Shown)	1	676115	676146	676126	676126	676118
—	Towel Bar Bracket (Not Shown)	2	675601	675606	675606	675606	675601
—	Towel Bar Bracket Screw (Not Shown)	2	310121	310122	310122	310122	310121
—	Tape-Towel Bar Bracket (Not Shown)	1	676200	676200	676200	676200	676200