



VISTA-PIVOT II™ Shower Door

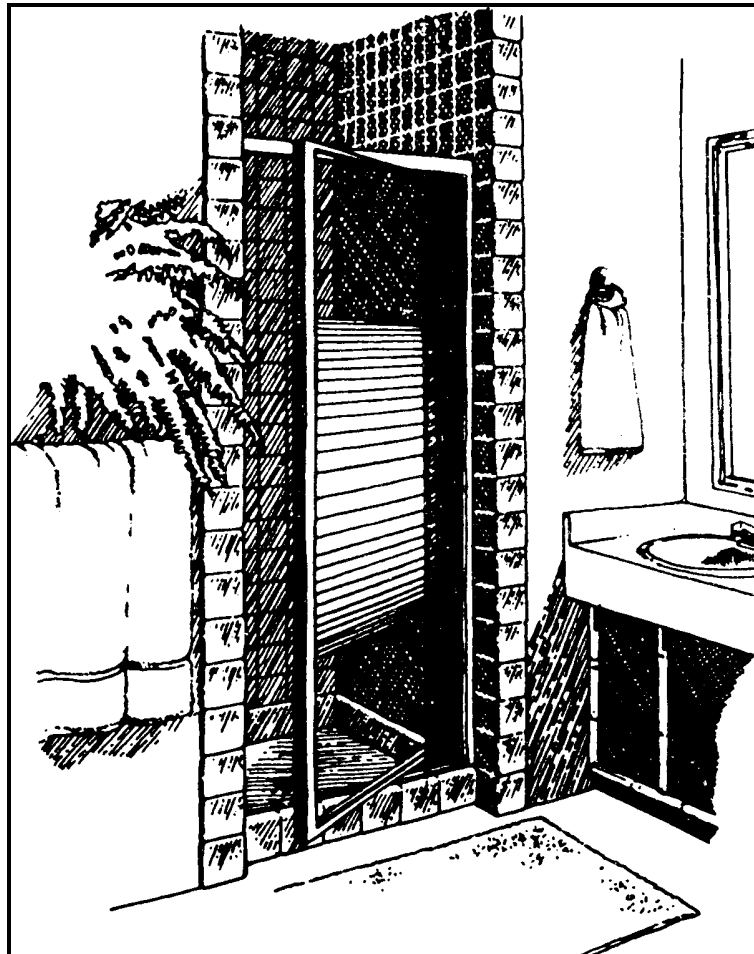
Series

1500D/1600D

INSTALLATION INSTRUCTIONS

Please read these instructions carefully to familiarize yourself with the required tools, materials, and installation sequences. The Exploded Diagram of the door on page 3 will also provide a helpful reference when relating the location of the various parts.

IMPORTANT: You should check with your local plumbing or building code agency about this product for compliance before it is installed.



basic tools and materials needed

TOOLS

6 FOOT FOLDING RULE OR MEASURING TAPE
HACKSAW WITH 32 TEETH PER INCH BLADE
MITER BOX OR SQUARE
HAMMER
ELECTRIC DRILL
DRILL BIT—1/8"
DRILL BIT—3/16"
MASONRY BIT FOR CERAMIC TILE—3/16"
SCREWDRIVER—PHILLIPS AND FLAT
LEVEL
FINE FILE
CENTER PUNCH
PENCIL
SAFETY GLASSES
WRENCHES-1/4" AND 11/32"
CAULKING GUN

MATERIALS

MASKING TAPE
CAULK

how to care for your door

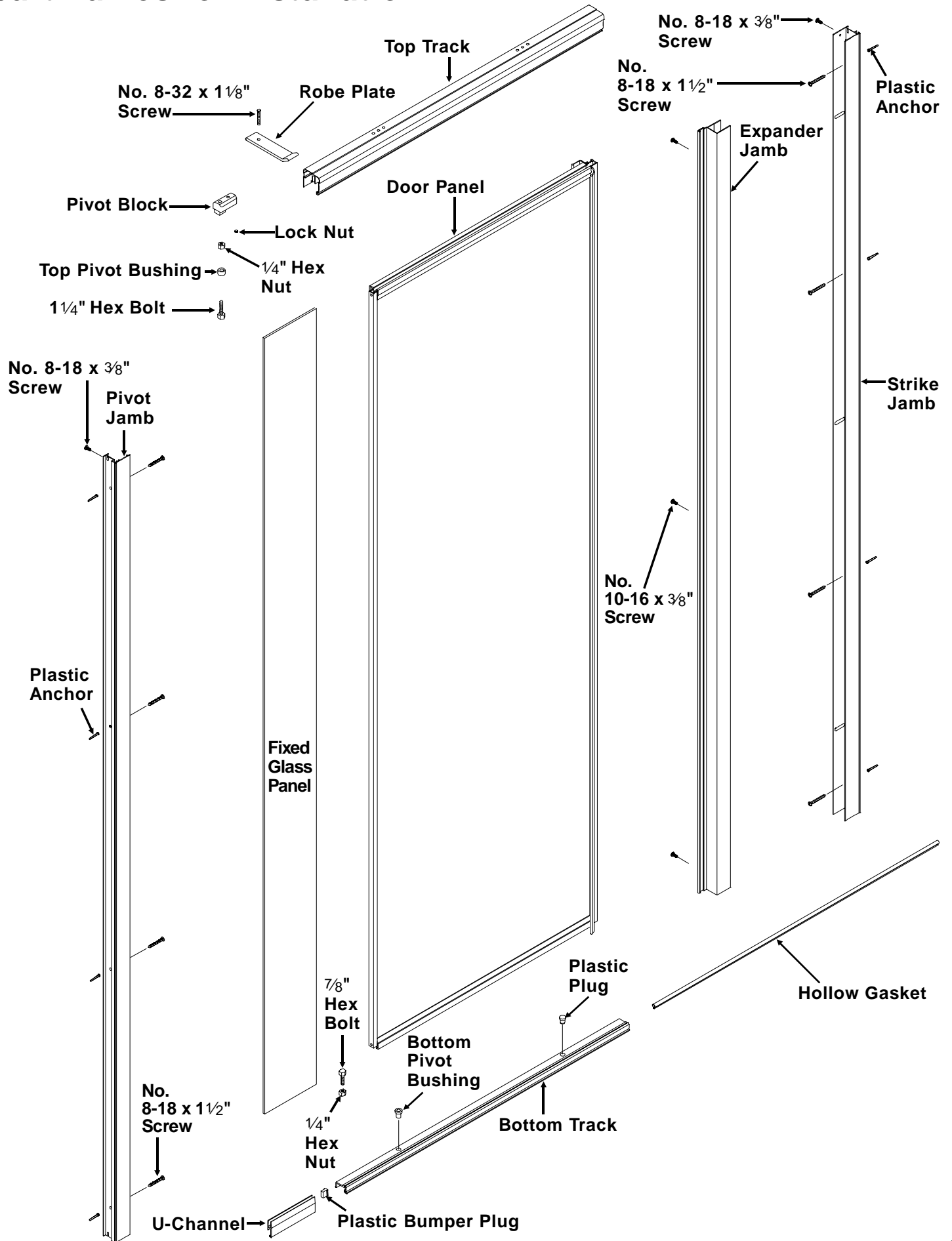
NEVER USE SCOURING POWDER, PADS OR SHARP INSTRUMENTS ON METAL WORK OR GLASS PANELS.

The use of a squeegee following each shower is recommended to eliminate water spots on the inside of the glass panels.

An occasional wiping down with a mild detergent diluted in water is all that is needed to keep the panels and anodized aluminum parts looking new.

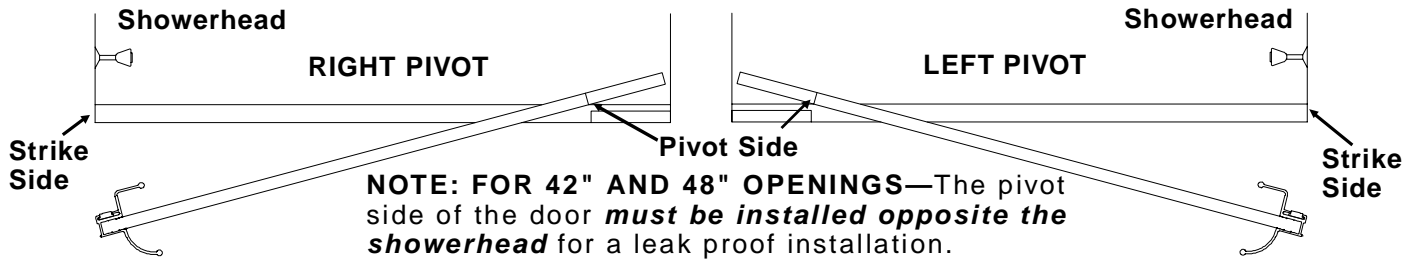
CAUTION: TEMPERED GLASS CAN NOT BE CUT.

part names for installation

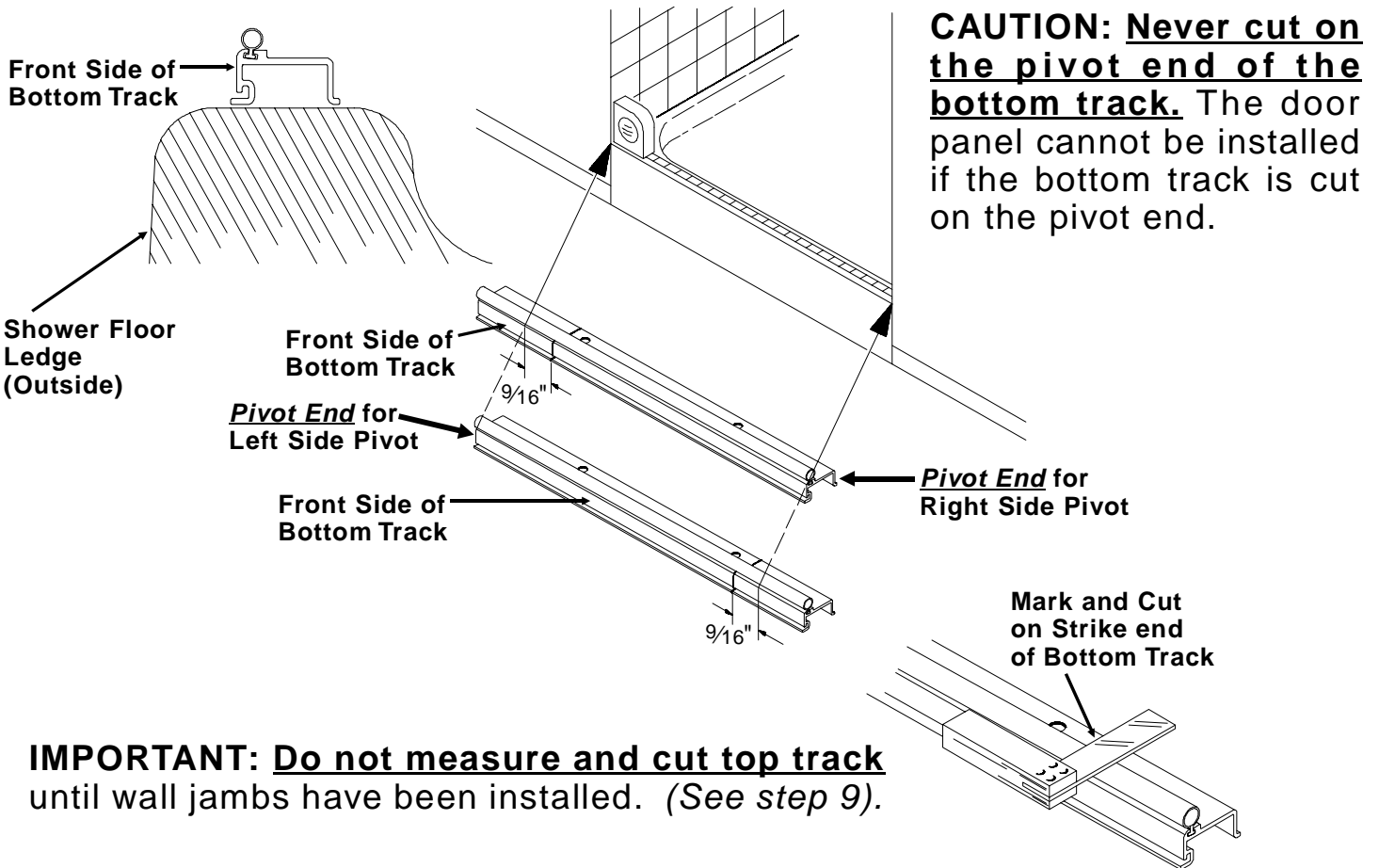


1 DETERMINING LEFT SIDE PIVOT OR RIGHT SIDE PIVOT

Determine whether the door will pivot on the left or right side. It is recommended that the pivot side of the door be installed opposite the showerhead. Check that there are no obstructions in the door path.



2 MEASURING AND CUTTING BOTTOM TRACK



To determine the pivot end, position the bottom track near the ledge with the front side of track toward the outside of shower.

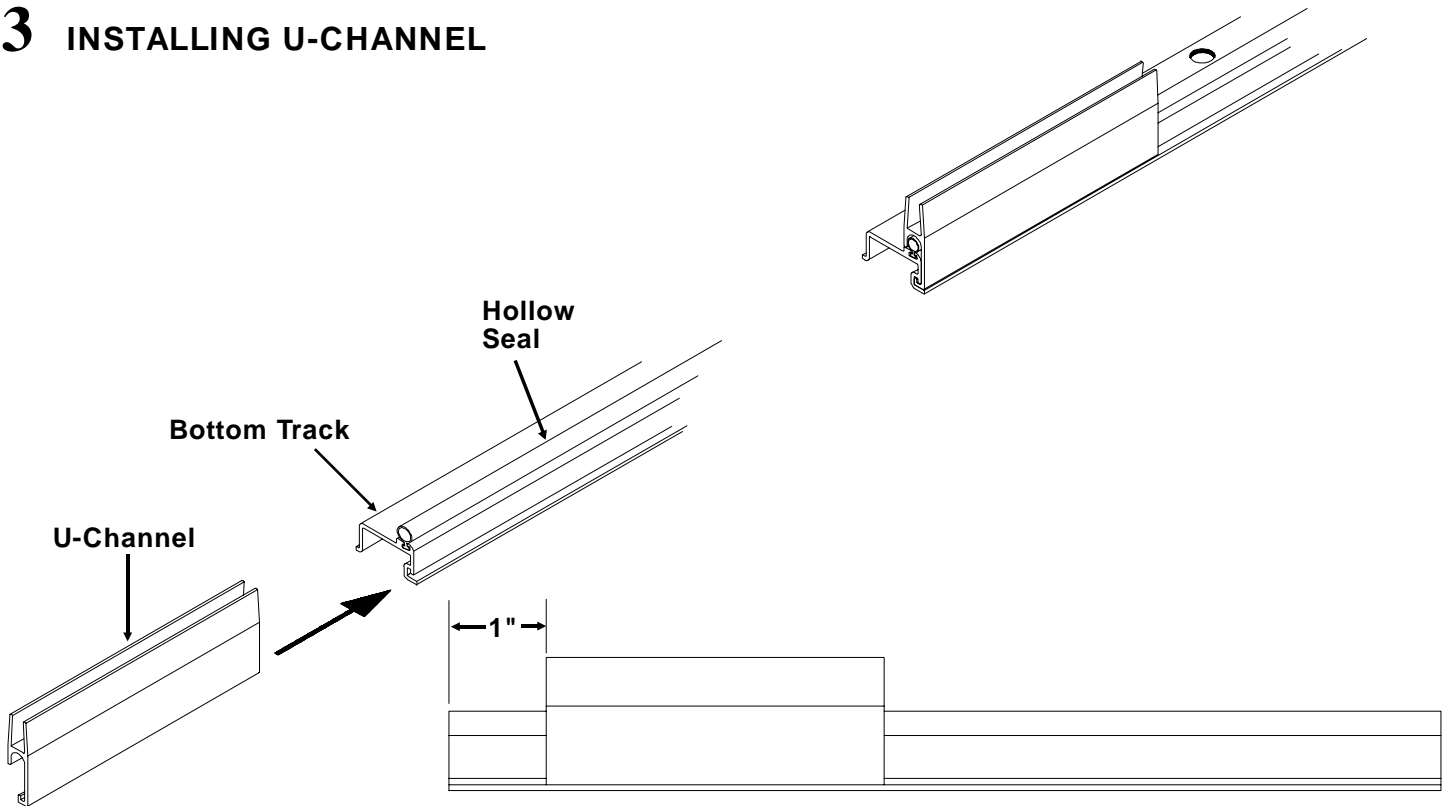
NOTE: If your shower has a curve in the corners at the side walls, be sure to measure from wall to wall above the curves.

CAUTION: If a steel tape is used, be sure to add the width of the case to the measurement.

Measure from wall to wall at the flattest part of the shower ledge and subtract $\frac{9}{16}$ " from this measurement. This dimension will be the cut length. Measure from the pivot end of bottom track and mark the cut length on the **strike end** of track.

Cut the bottom track where it has been marked on the **strike end**. (Never cut the **pivot end**). For best results in cutting, use a miter box and hacksaw with a 32-tooth per inch blade. File rough edges smooth.

3 INSTALLING U-CHANNEL



Trim excess hollow seal off each end of bottom track.

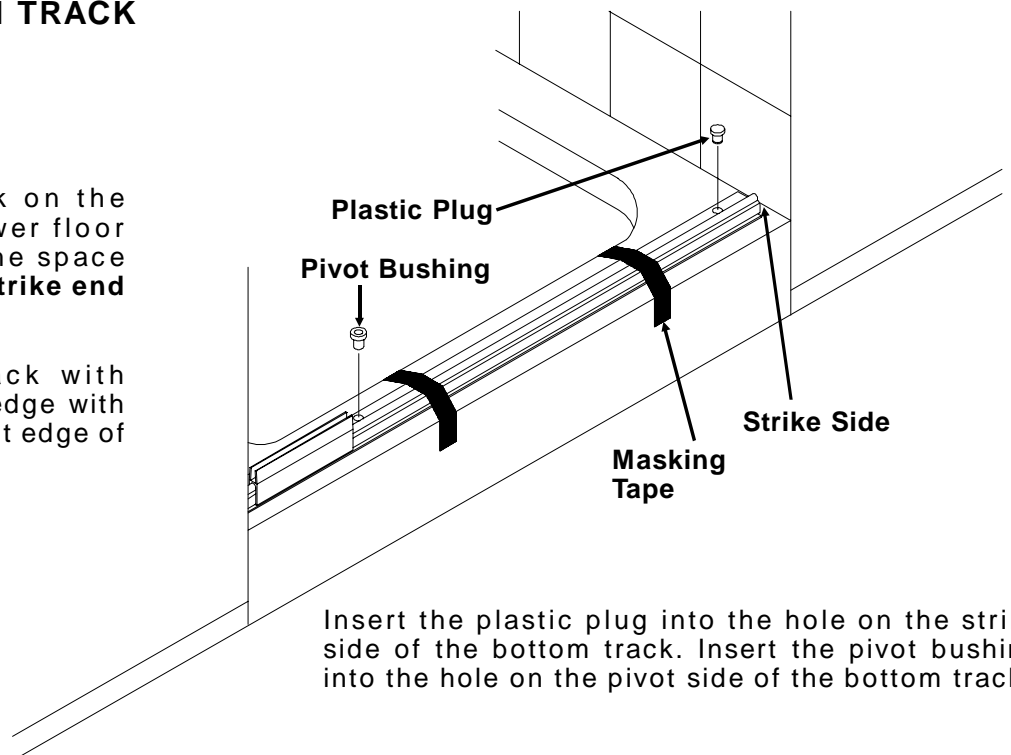
Slide the U-Channel onto the ***pivot end*** of the bottom track as shown. Adjust the U-Channel so that the end will be 1" from the pivot end of the bottom track.

NOTE: Adding Petroleum Jelly to the hollow gasket will help in sliding the U-Channel onto the bottom track.

4 LOCATING BOTTOM TRACK

Place the bottom track on the flattest part of the shower floor ledge. Make sure that the space between the wall and the **strike end** of bottom track is $\frac{1}{4}$ ".

Fasten the bottom track with masking tape. Mark the ledge with a soft pencil along the front edge of the track.



Insert the plastic plug into the hole on the strike side of the bottom track. Insert the pivot bushing into the hole on the pivot side of the bottom track.

5 LOCATING, MARKING AND DRILLING FOR WALL JAMBS

NOTE: Wear Safety Glasses

Place the strike jamb against shower head side of the shower stall wall and fit down over the bottom track. **Be sure** slots in the strike jamb flange are toward the inside of shower.

Using a level, plumb the strike jamb and mark the 4 hole locations.

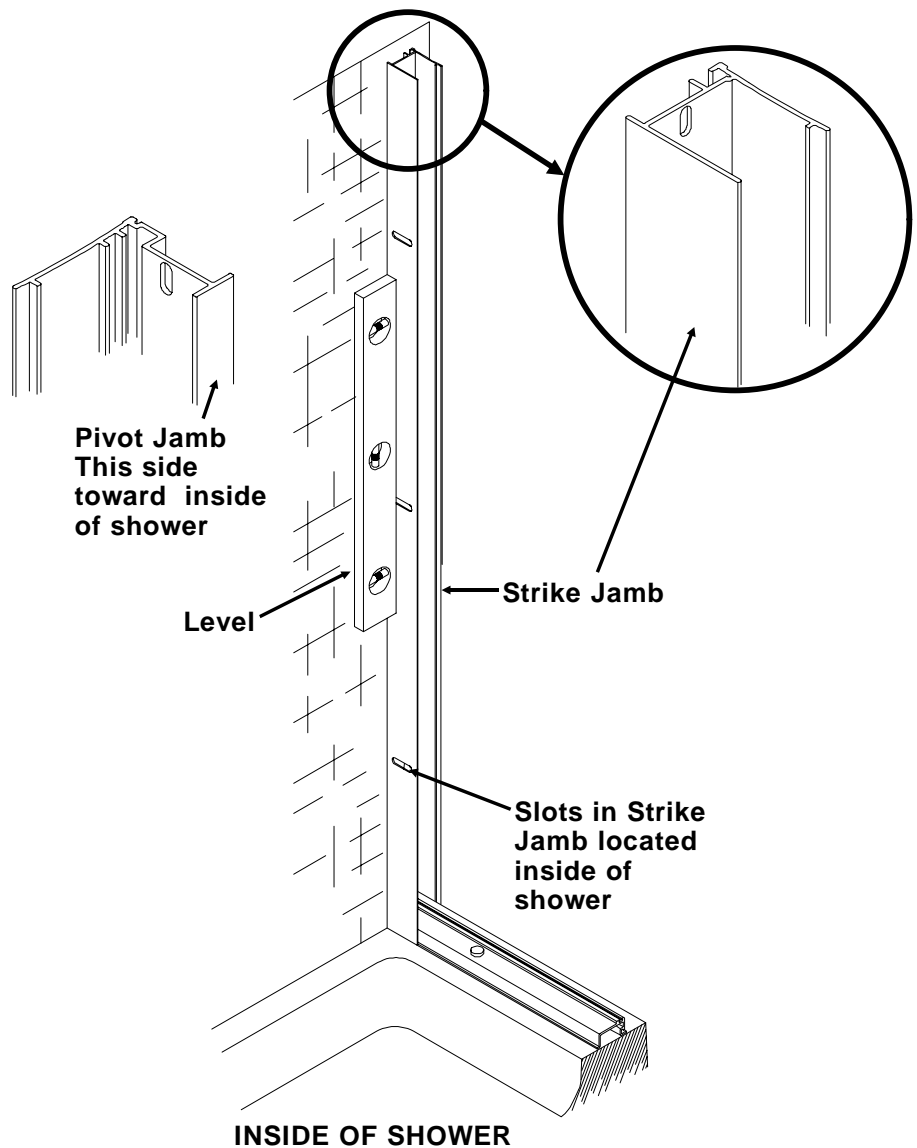
Lightly center punch the 4 hole locations. (On ceramic tile, use the center punch to nick the surface glaze. Tap the punch lightly with your hammer so you don't crack the tile).

Drill all 4 holes with a $\frac{3}{16}$ " drill bit. (Use a masonry bit for ceramic tile).

After drilling, thoroughly clean the shower floor ledge and wall. Insert plastic anchors in all four holes.

Place the pivot jamb against the opposite wall and fit over the bottom track. **Be sure** the longer leg of the pivot jamb is toward the outside of the shower stall.

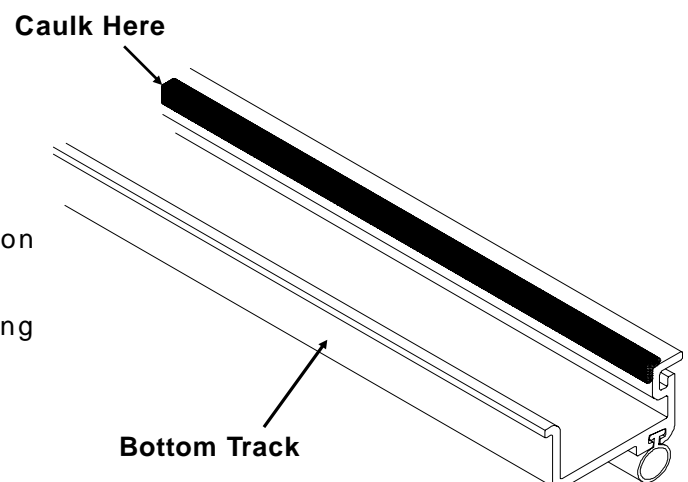
Use the same procedure to mark and drill for the pivot jamb that was used for the strike jamb.



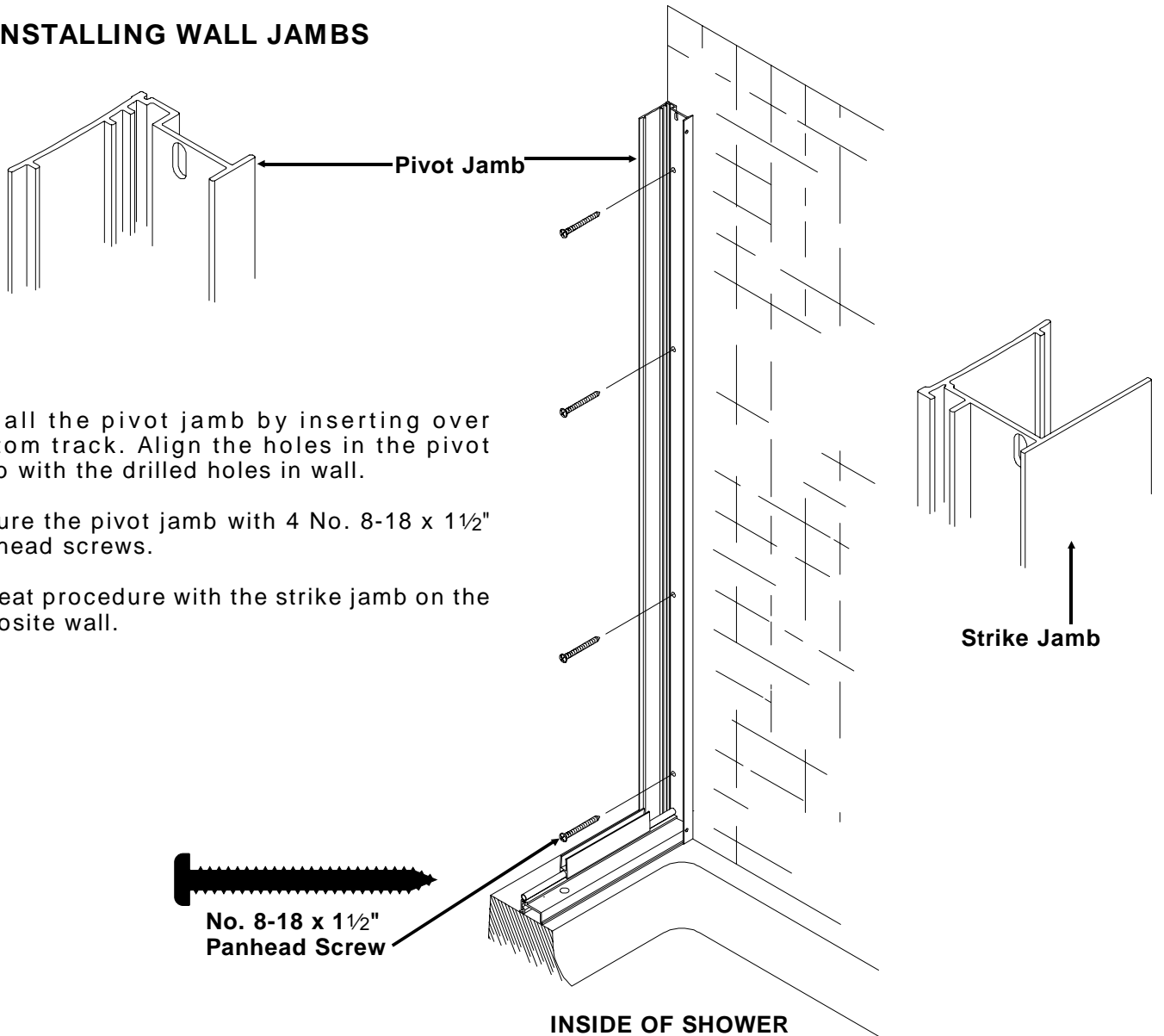
6 CAULKING AND INSTALLING BOTTOM TRACK

Remove the bottom track and apply a bead of caulk on the underside of the track as shown.

Locate and install the bottom track on ledge using location marked on the ledge from step 4.



7 INSTALLING WALL JAMBS

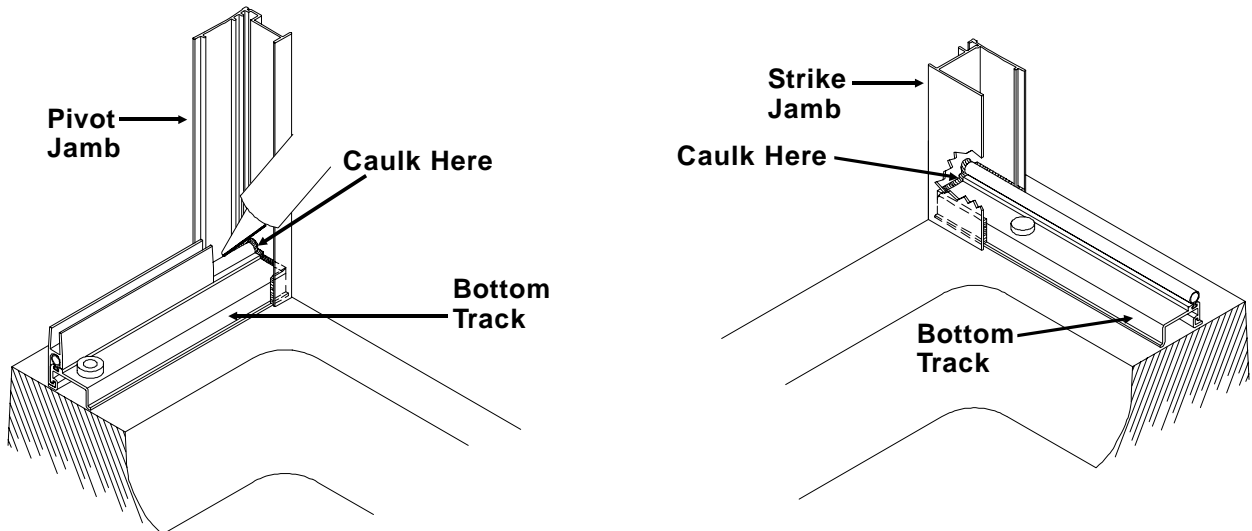


Install the pivot jamb by inserting over bottom track. Align the holes in the pivot jamb with the drilled holes in wall.

Secure the pivot jamb with 4 No. 8-18 x 1 1/2" panhead screws.

Repeat procedure with the strike jamb on the opposite wall.

8 CAULKING BOTTOM TRACK AND JAMBS



Apply a bead of caulk where the pivot jamb and strike jamb meets the bottom track.

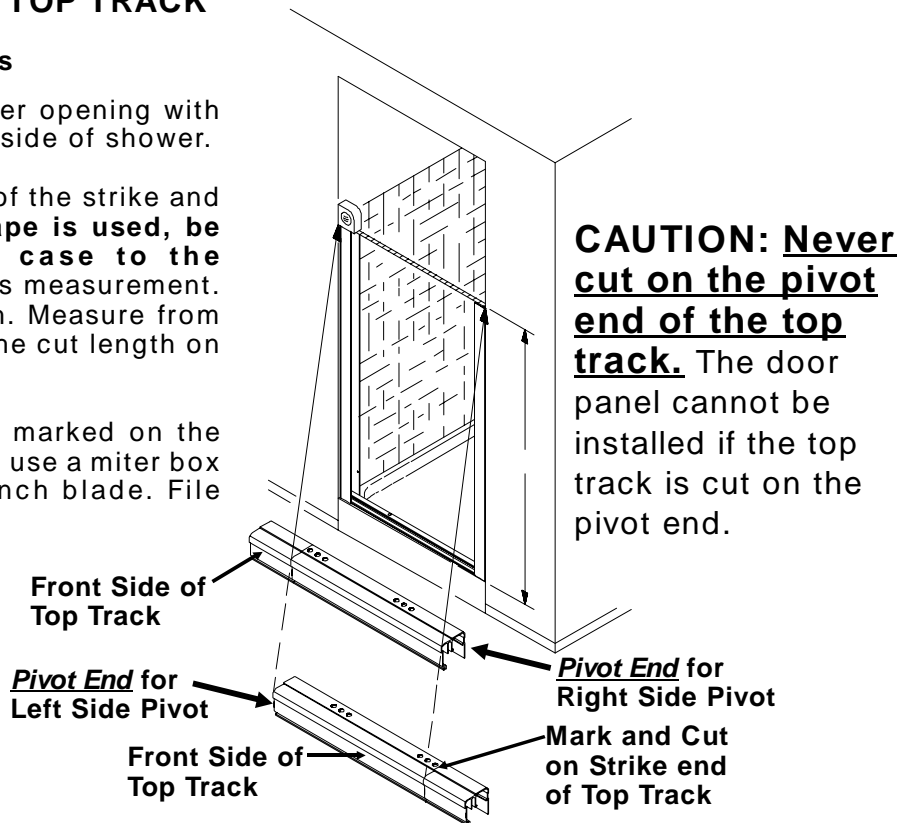
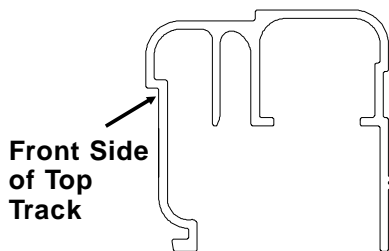
9 MEASURING AND CUTTING TOP TRACK

NOTE: Wear Safety Glasses

Position the top track near the shower opening with the front side of track toward the outside of shower.

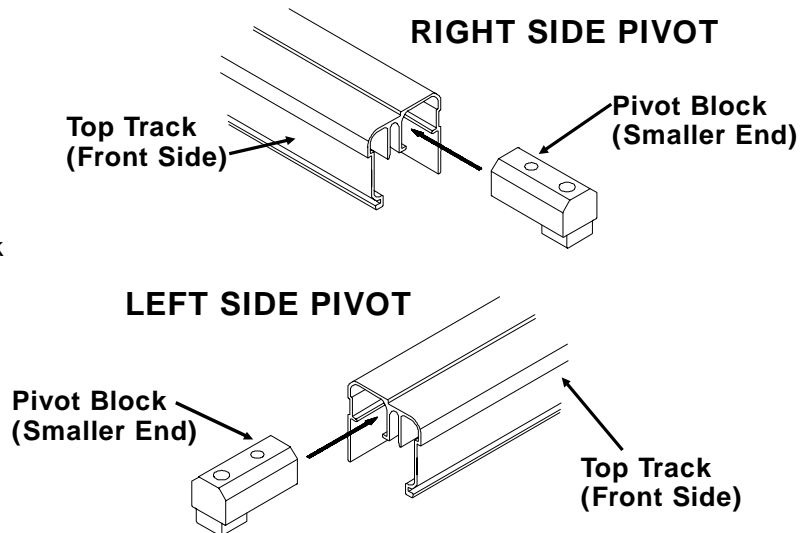
Measure from wall to wall at the top of the strike and pivot jamba. **CAUTION: If a steel tape is used, be sure to add the width of the case to the measurement.** Subtract $\frac{1}{32}$ " from this measurement. This dimension will be the cut length. Measure from the pivot end of top track and mark the cut length on the **strike end** of track.

Cut the top track where it has been marked on the **strike end**. For best results in cutting, use a miter box and hacksaw with a 32-tooth per inch blade. File rough edges smooth.



10 INSTALLING PIVOT BLOCKS

Insert the smaller end of the pivot block into the pivot end of the top track.

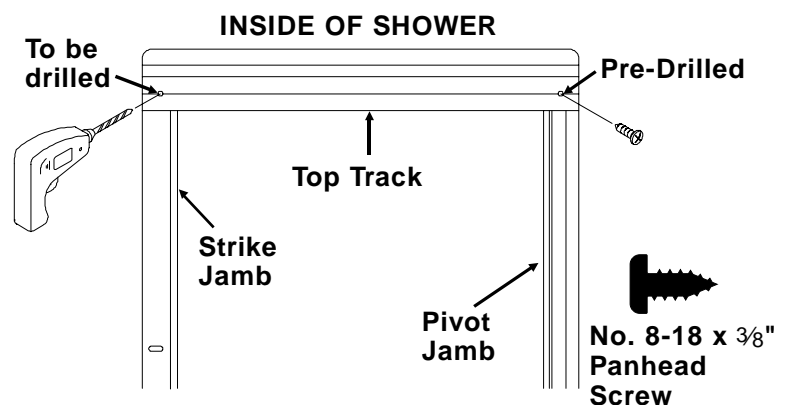


11 INSTALLING TOP TRACK

Install the top track over the strike jamb and pivot jamb ends.

From inside the shower, secure the top track to the pivot jamb with a No. 8-18 x $\frac{3}{8}$ " panhead screw.

Drill a $\frac{1}{8}$ " diameter hole through the groove in the top track and the strike jamb. Secure the top track to the strike jamb with a No. 8-18 x $\frac{3}{8}$ " panhead screw.

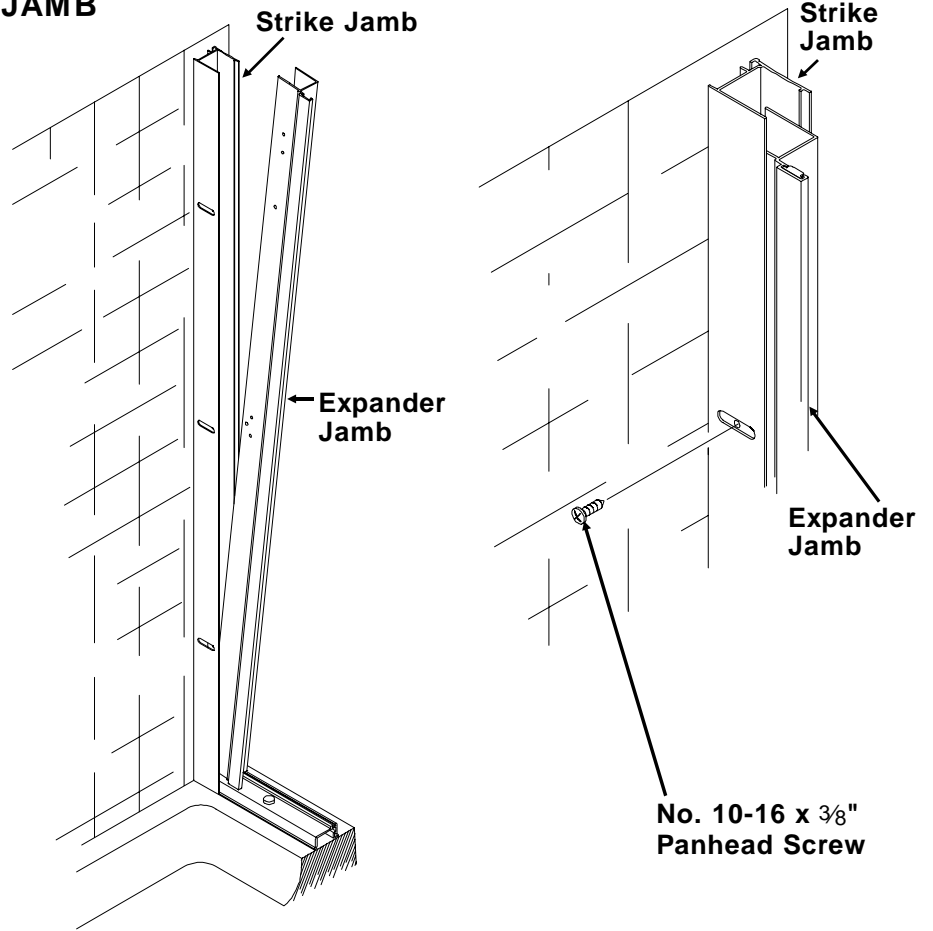


12 INSTALLING EXPANDER JAMB

Slide the expander jamb into the strike jamb.

Match the holes in expander jamb with the slots in the strike jamb.

Plumb the expander jamb with a level and secure with 3 No. 10-16 x $\frac{3}{8}$ " panhead screws.

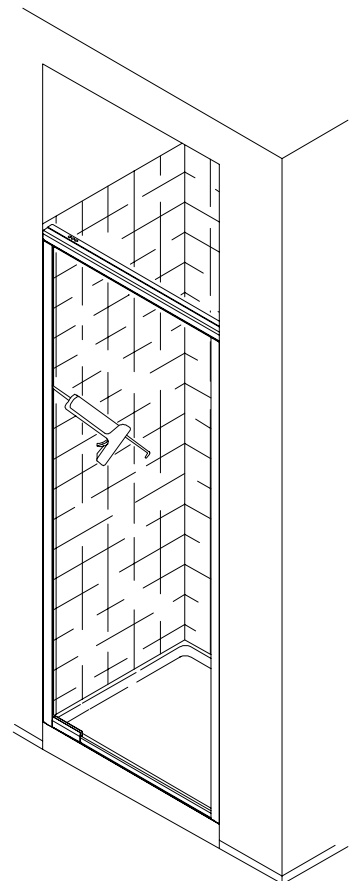
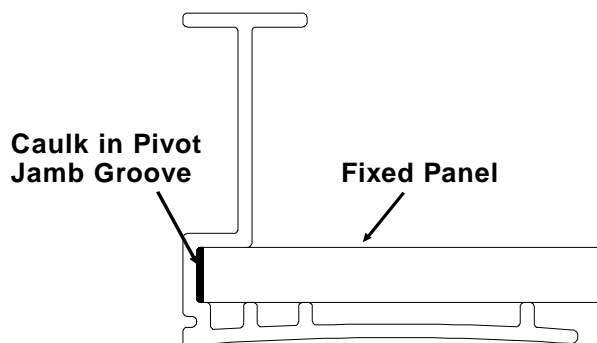


13 INSTALLING FIXED PANEL

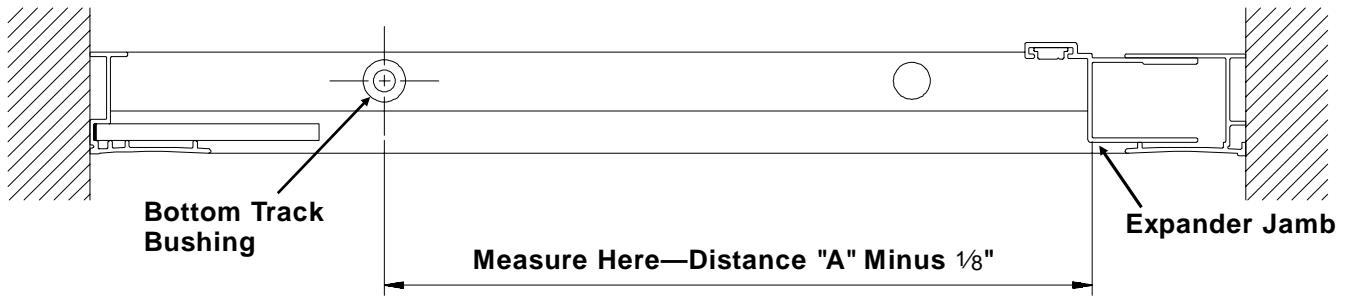
Slide the U-Channel approximately $\frac{3}{16}$ " into the pivot jamb. Apply a bead of caulk into groove in the pivot jamb and into the U-Channel at bottom.

Carefully lift the narrow fixed glass panel into the outer channel in the top track and the U-Channel at bottom.

Press the fixed panel gently into the groove in pivot jamb.



14 MEASURING AND INSTALLING BOTTOM PIVOT ON DOOR PANEL



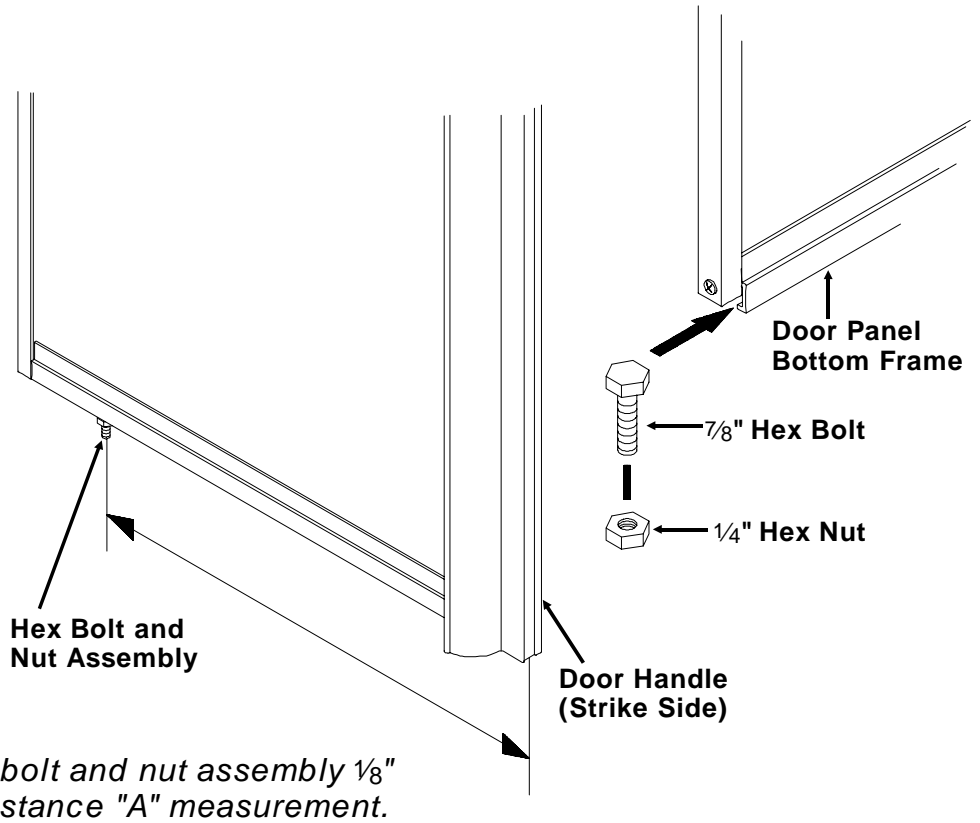
Position the door panel so that the strike side with magnetic strip is toward the expander jamb.

Partially thread a 1/4" hex nut on the 7/8" hex bolt, Insert head of the bolt and nut assembly into slot in bottom frame of door panel.

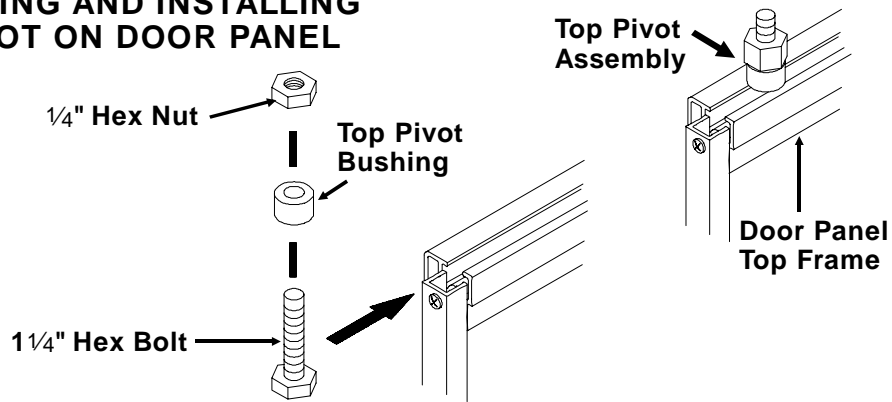
Measure distance "A" between expander jamb and center of bushing in bottom track.

Measure from the edge of the door handle and locate hex bolt and nut assembly 1/8" less than distance "A" measurement.

Securely tighten nut with open end wrench provided.



15 MEASURING AND INSTALLING TOP PIVOT ON DOOR PANEL

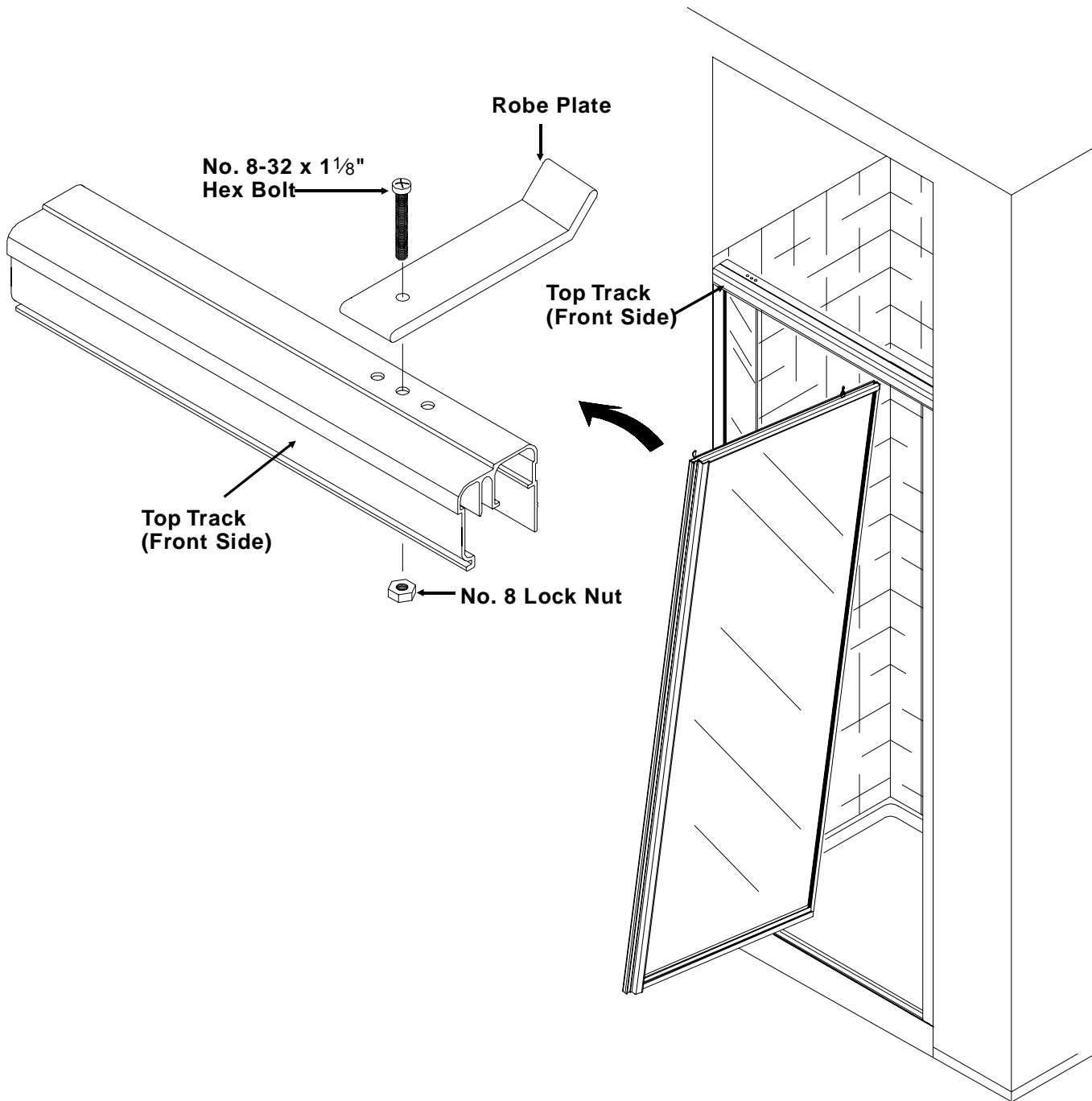


Insert the top pivot bushing over the 1 1/4" bolt and partially thread the 1/4" hex nut on the bolt.

Insert this assembly into track on top frame of door panel and position at same distance from the handle side of door panel as the bottom pivot.

10 Securely tighten the 1/4" hex nut with open end wrench provided.

16 INSTALLING DOOR PANEL



Lift the door panel and insert projecting bolt into bushing in bottom track. Slide the pivot block in top track and tilt door panel so that the projecting bolt at top engages in **larger** hole in pivot block.

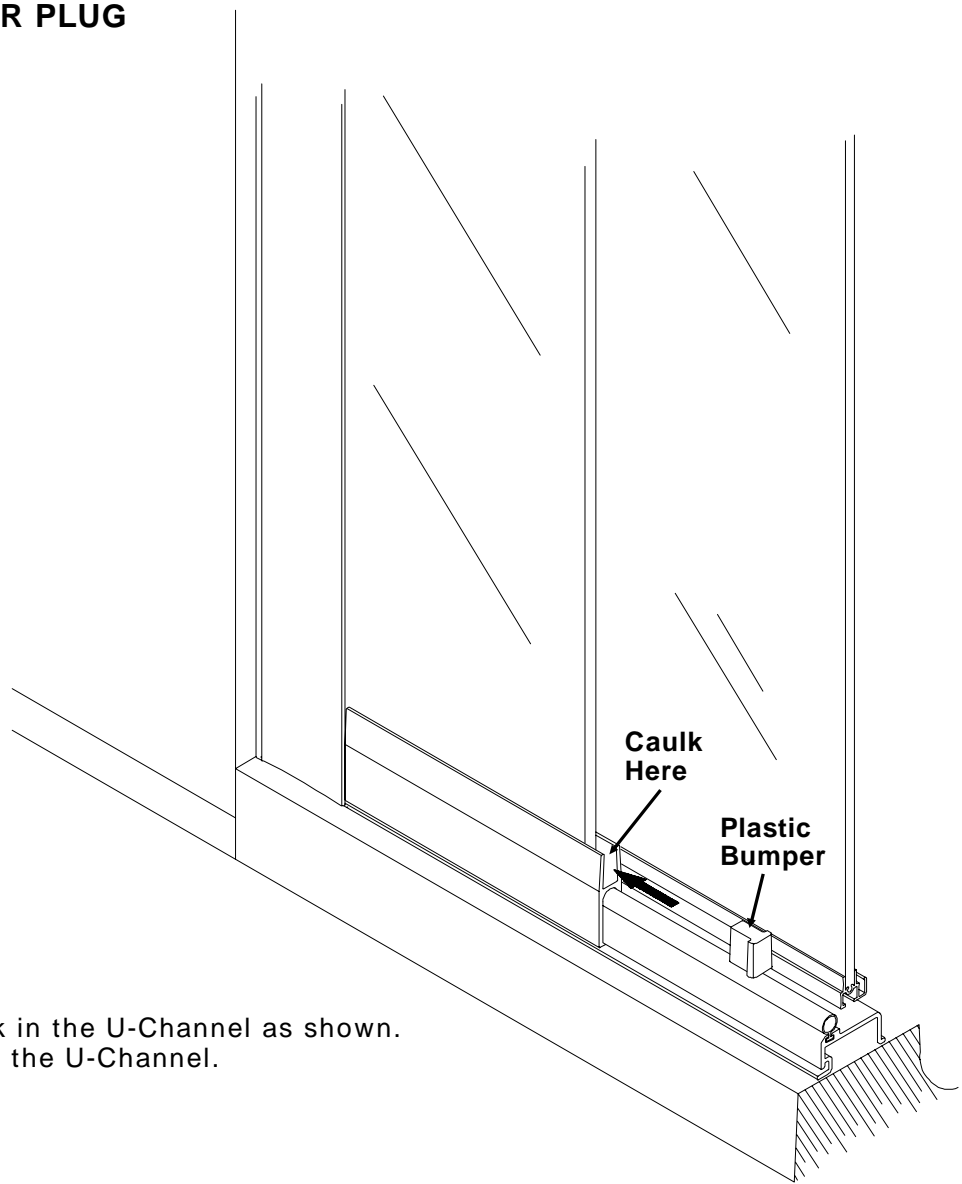
Slide pivot block and door panel so that the door panel closes with approximately $\frac{1}{8}$ " clearance from face of expander jamb.

From above, insert a No. 8-32 x $1\frac{1}{8}$ " bolt through the hole in the robe plate, center hole in the top track, and the pivot block. Thread the lock nut onto the No. 8-32 x $1\frac{1}{8}$ " bolt and tighten with $\frac{1}{4}$ " and $1\frac{1}{32}$ " wrenches.

Insure that the bottom of door does not rub on the hollow seal in the bottom track. If necessary, loosen top pivot bolt with open end wrench provided. Reposition door and tighten bolt.

If the door does not now align with the expander jamb, loosen the screws holding the expander jamb and align with door.

17 INSTALLING BUMPER PLUG



Place a small amount of caulk in the U-Channel as shown.
Insert the plastic bumper into the U-Channel.

18 FINAL CAULKING

IMPORTANT: Improper caulking may result in leakage.

From inside the shower carefully caulk where:

- 1. The bottom track and ledge meet**
- 2. Wall jambs and wall meet**
- 3. Fixed panel and pivot jamb meet**
- 4. Fixed panel and U-Channel meet**

NOTE: Allow caulk to set 24 hours before use.

FINISH SELECTION

MODEL		FINISH	DOOR PANEL		FIXED GLASS PANEL		BOTTOM TRACK		TOP TRACK		U-CHANNEL	
1500D-27S	1600D-27S	SILVER	5084124	5084148	524005	524007	819804	819804	664404	664404	498303	498303
1502D-27S	1600D-31S	SILVER	5084127	5084149	524021	524007	819804	819805	664404	664405	498303	498303
1500D-31S	1600D-36S	SILVER	5084125	5084150	524005	524008	819805	819806	664405	664406	498303	498304
1502D-31S	1602D-27S	SILVER	5084128	5084151	524021	524029	819805	819804	664405	664404	498303	498303
1500D-36S	1602D-31S	SILVER	5084126	5084152	524006	524029	819806	819805	664406	664405	498304	498303
1502D-36S	1602D-36S	SILVER	5084129	5084153	524022	524030	819806	819806	664406	664406	498304	498304
1500D-42S	1605D-27S	SILVER	5084126	5084154	524019	524029	819813	819804	664414	664404	498307	498303
1500D-48S	1605D-31S	SILVER	5084126	5084155	524013	524029	819816	819805	664417	664405	498310	498303
1530D-27S	1605D-36S	SILVER	5084179	5084156	524021	524030	819804	819806	664404	664406	498303	498304
1530D-31S	1595D-31S	SILVER	5084181	5084215	524021	524021	819805	819805	664405	664405	498303	498303
1530D-36S	1595D-36S	SILVER	5084183	5084217	524022	524022	819806	819806	664406	664406	498304	498304
1562D-27S	1595D-27S	SILVER	5084176	5084213	524021	524021	819804	819804	664404	664404	498303	498303
1562D-31S		SILVER	5084177		524021		819805		664405		498303	
1562D-36S		SILVER	5084178		524022		819806		664406		498304	
1500D-26S		SILVER	5084123		524005		819804		664404		498303	
1502D-26S		SILVER	5084209		524021		819804		664404		498301	
1502D-42S	1505D-42S	SILVER	5084129	5084207	524031	524031	819813	819813	664414	664414	498307	498307
1502D-48S	1505D-48S	SILVER	5084129	5084207	524032	524032	819816	819816	664417	664417	498310	498310
1503D-27S	1503D-31S	SILVER	5084185	5084187	524036	524036	819804	819805	664404	664405	498303	498303
1503D-36S		SILVER	5084189		524037		819806		664406		498304	
1562D-27W	1562D-31W	WHITE	S11094.01	S11094.02	524021	524021	819847	819830	664445	664446	498320	498320
1562D-36W		WHITE	S11094.03		524022		819827		664425		498319	
1502D-27G	1602D-27G	GOLD	5084219	5084226	524021	524029	819834	819834	664432	664432	498324	498324
1502D-31G	1602D-31G	GOLD	5084222	5084229	524021	524029	819835	819835	664433	664433	498324	498324
1502D-36G	1602D-36G	GOLD	5084225	5084231	524022	524030	819836	819836	664434	664434	498325	498325
1505D-42G	1605D-27G	GOLD	5084212	5084227	524031	524029	819838	819834	664436	664432	498327	49834
1505D-48G	1605D-31G	GOLD	5084212	5084230	524032	524029	819839	819835	664437	664433	498328	498324
1530D-27G	1605D-36G	GOLD	5084220	5084232	524021	524030	819834	819836	664432	664434	498324	498325
1530D-31G	1502D-42G	GOLD	5084223	5084223	524021	524031	819835	819838	664433	664436	498324	498327
1530D-36G	1502D-48G	GOLD	5084224	5084224	524022	524032	819836	819839	664434	664437	498325	498328
1502D-26G		GOLD	5084134		524021		819834		664432		498324	
1503D-27PB	1595D-27PB	POLISHED BRASS	5084186	5084214	524001	524021	819834	819834	664432	664432	498324	498324
1503D-31PB	1595D-31PB	POLISHED BRASS	5084188	5084216	524001	524021	819835	819835	664433	664433	498324	498324
1503D-36PB	1595D-36PB	POLISHED BRASS	5084190	5084218	524002	524022	819836	819836	664434	664434	498325	498325
1562D-27PB		POLISHED BRASS	5084145		524021		819834		664432		498324	
1562D-31PB		POLISHED BRASS	5084146		524021		819835		664433		498324	
1562D-36PB		POLISHED BRASS	5084147		524022		819836		664434		498325	

PARTS LIST

When ordering parts, specify model number, part number, quantity and color.

Key No.	DESCRIPTION	Qty.	PART NO. FOR MODEL NO.									
			Silver				Gold			Polished Brass	White	
			1562D-27S	1500D-27S	1500D-42S	1600D-27S	1605D-27S	1502D-27G	1530D-31G	1602D-27G	1503D-27PB	1562D-27W
			1562D-31S	1502D-27S	1500D-48S	1600D-31S	1605D-31S	1502D-31G	1530D-36G	1602D-31G	1503D-31PB	1562D-31W
			1562D-36S	1500D-31S	1530D-27S	1600D-36S	1605D-36S	1502D-36G	1502D-26G	1602D-36G	1503D-36PB	1562D-36W
			1500D-26S	1502D-31S	1530D-31S	1602D-27S		1505D-42G	1502D-42G	1605D-27G	1562D-27PB	
			1502D-26S	1500D-36S	1530D-36S	1602D-31S		1505D-48G	1502D-48G	1605D-31G	1562D-31PB	
			1502D-42S	1502D-36S	1502D-48S	1602D-36S		1530D-27G	1500D-42G	1605D-36G	1562D-36PB	
			1503D-27S	1595D-27S	1505D-42S				1500D-48G		1595D-27PB	
			1503D-31S	1595D-31S	1505D-48S						1595D-31PB	
			1503D-36S	1595D-36S							1595D-36PB	
1	Bottom Track	1	SEE TABLE ON PAGE 13									
2	Hollow Gasket	1	For widths 27, 31 and 36" —521303 For widths 42 and 48" —521307									
3	U—Channel	1	SEE TABLE ON PAGE 13									
4	Strike Jamb	1	664304		664301		664312		664314		664312	664316
5	Pivot Jamb	1	664504		664501		664512		664514		664512	664516
6	Plastic Anchors	8	162217									
7	Top Track	1	SEE TABLE ON PAGE 13									
8	Pivot Block	1	497900									
9	3/8" No. 10 Retainer Screw	3	456316				456317				456316	
10	3/8" No. 8 Retainer Screw	2	456311				456312				456311	
11	1 1/2" No. 8 Wall Mounting Screw	8	456304				456305				456304	
12	Expander Jamb and Magnetic Strip	1	619904		619901		619911		619913		619911	619915
13	Plastic Plug	1	517000									
14	Bottom Pivot Bushing	1	508200									
15	Door Panel	1	SEE TABLE ON PAGE 13									
16	Plastic Bumper Plug	1	540900									
17	7/8" Hex Bolt	1	522701									
18	Fixed Glass Panel	1	SEE TABLE ON PAGE 13									
19	1 1/4" Hex Bolt	1	522702									
20	Top Pivot Bushing	1	508300									
21	1/4" Hex Nut	2	229807									
22	Lock Nut	1	618200									
23	Robe Plate	1	496600									
24	No. 8 x 1 1/8" Hex Bolt	1	522703				522704				522703	
—	7/16" Wrench (Not Shown)	1	551300									

parts list

