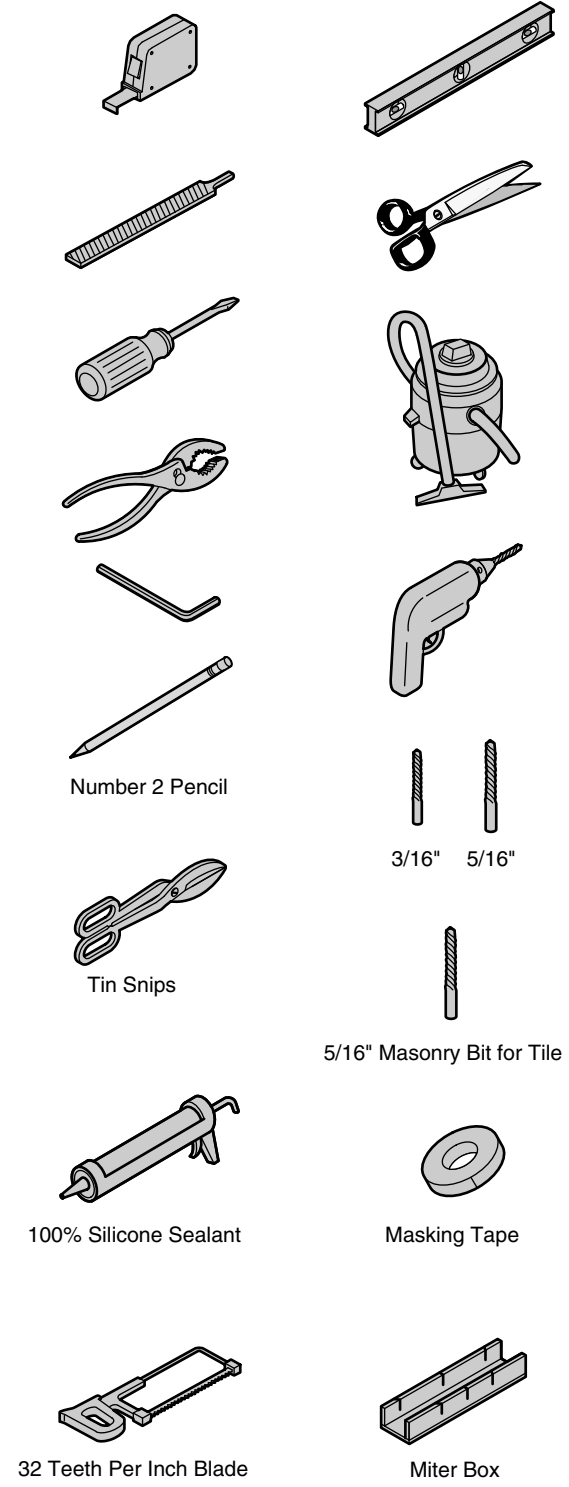


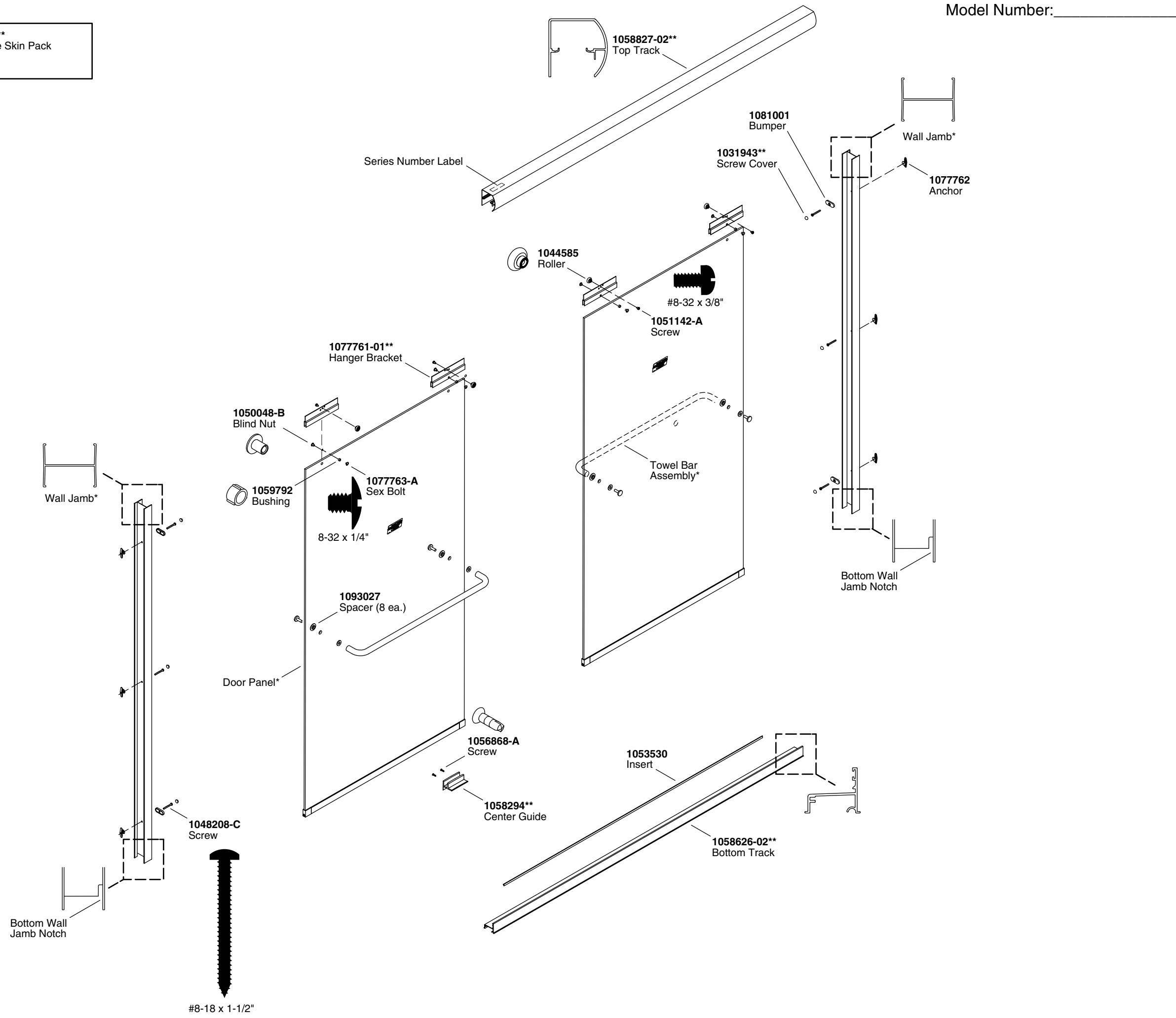
USA: 1-800-STERLING (1-800-783-7546)  
 Mexico: 001-877-680-1310  
 SterlingPlumbing.com

**Required Tools**



**Parts Identification**

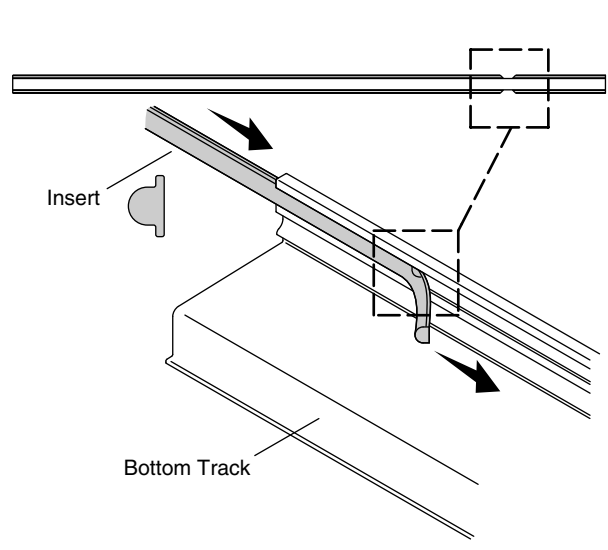
1058298\*\*  
 Hardware Skin Pack



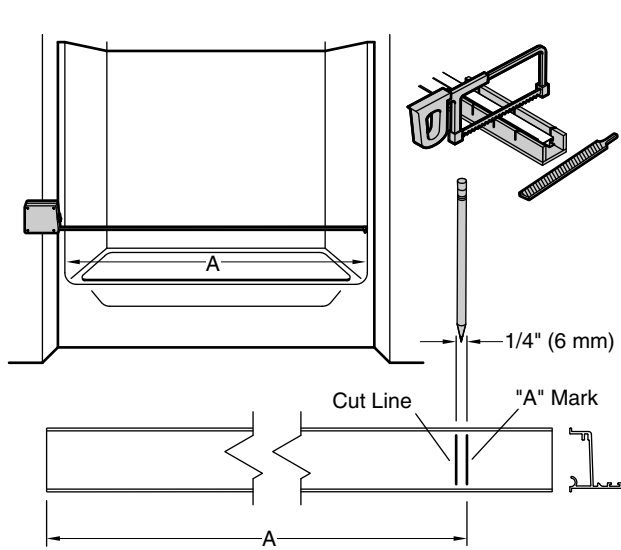
\*Call Customer Care Center to order replacement parts.  
 \*\*Finish/color code must be specified when ordering.  
 Retain this document for future servicing.  
 Record model number from box for reference.  
 Model Number: \_\_\_\_\_

**CAUTION: Risk of injury.** Do not attempt to cut tempered glass.  
**IMPORTANT!** Do not cut the top track the same length as the bottom track.  
 Walls must be within 3/8" (10 mm) of plumb.  
 Cover drain with tape to avoid loss of small parts.  
 Follow the silicone sealant manufacturer's instructions for application and curing time.  
 Installation video available at SterlingPlumbing.com.

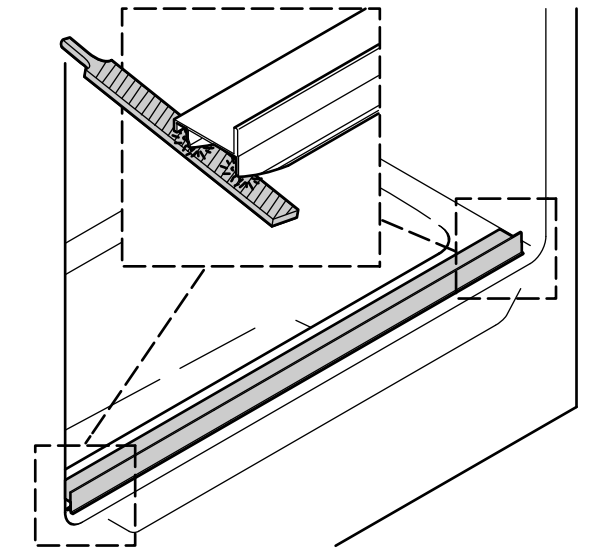
**1** Slide the notched end of the insert into the groove and pull the notch to the end of the bottom track. Trim the insert to be flush with the bottom track.



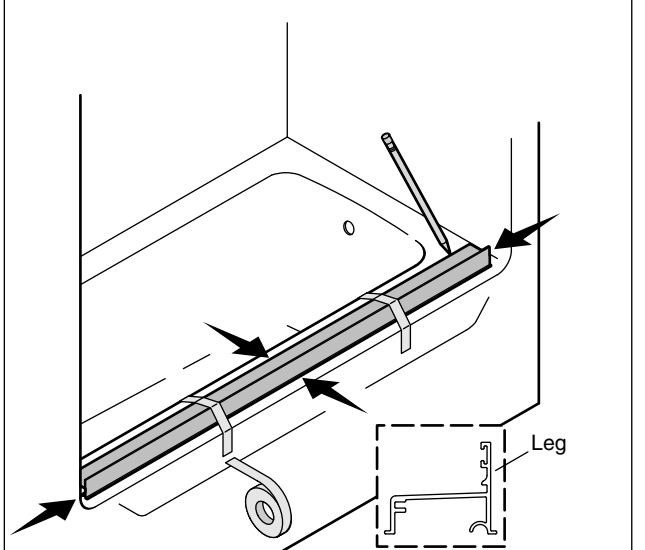
**2** Measure distance "A." Subtract 1/4" (6 mm) or the width of a number 2 pencil from "A" and cut the bottom track.



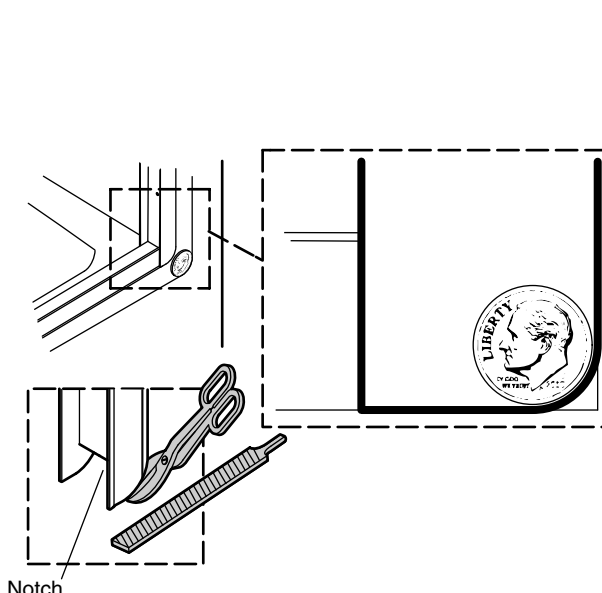
**3** Position the bottom track on the center of the ledge. If needed, file the ends to match the corners.



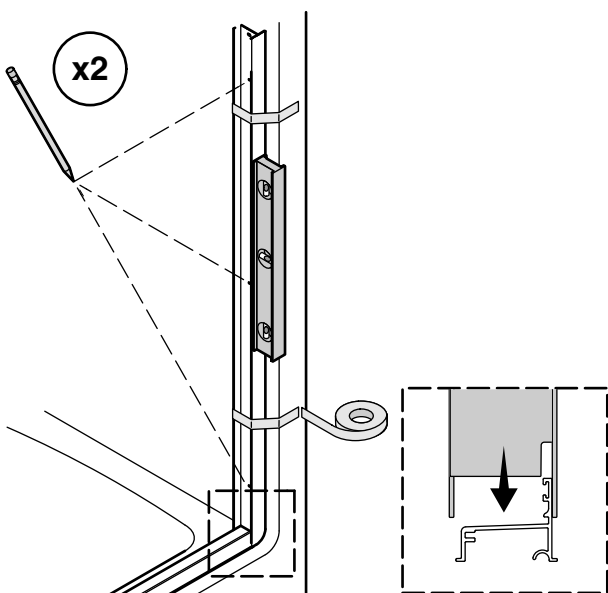
**4** Center the bottom track on the ledge with the leg to the outside. Tape the bottom track in place and mark the position.



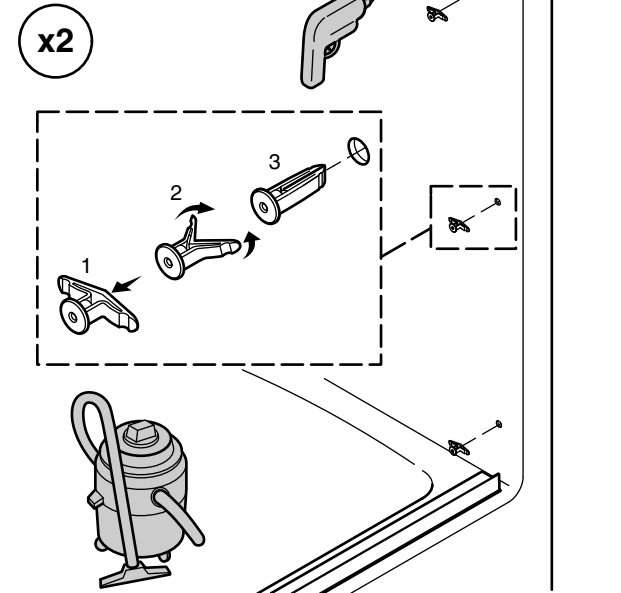
**5 Important!** The bottom track and wall jamb must sit flat against the shower ledge and the wall. If needed, trim and file the wall jamb. Use a coin to match and to transfer the corner radius of the shower to the wall jamb.



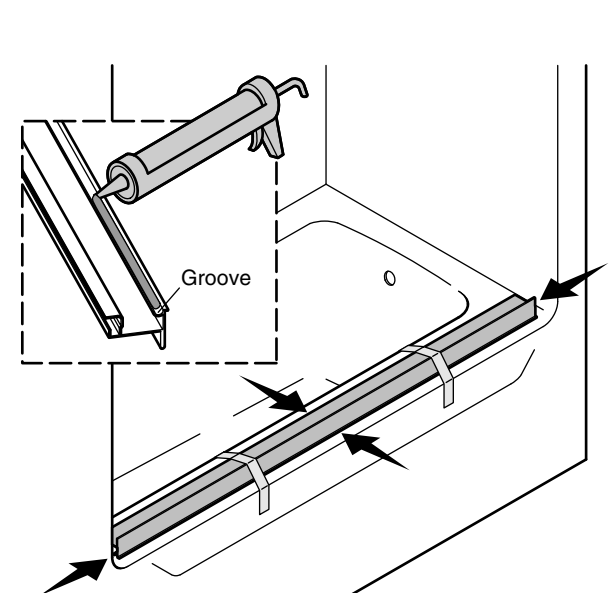
**6** Position the wall jambs over the bottom track. Plumb both wall jambs. Mark the screw holes.



**7** Remove the wall jambs. Drill 5/16" holes into the walls and insert the anchors.



**8** Apply silicone sealant in the groove on the underside of the bottom track. Secure the bottom track to the ledge along the marked location.



**9** Reposition both wall jambs. Secure the wall jambs with screws. Attach a bumper at the top and bottom locations.

