

Mira Vision Dual

Digital Mixer



SUITABLE FOR ALL SYSTEMS



5 YEAR WARRANTY

Experience ultimate control at your fingertips with our easy to use, wireless Vision Dual controller.

Product Information

Description	Colour	Product No.
Mira Vision Dual Shower, Rear Fed (High Pressure/Combi)	Chrome	1.1797.103
Mira Vision Dual Shower, Rear Fed (Pumped for Gravity)	Chrome	1.1797.104
Mira Vision Dual Shower, Ceiling Fed (HP/Combi)	Chrome	1.1797.101
Mira Vision Dual Shower, Ceiling Fed (Pumped for Gravity)	Chrome	1.1797.102
Mira Vision Dual Shower, Valve & Controller Only (HP/Combi)	Chrome	1.1797.105
Mira Vision Dual Shower, Valve & Controller Only (Pumped)	Chrome	1.1797.106

Features & Benefits

Temperature control

Thermostatic temperature stability with digital intelligence
Maximum temperature setting for increased safety

Easy to fit & maintain

Rear and ceiling fed options available for all types of installation
Built in push-fit isolators
Large long-life filters and replaceable cartridge

For your customer

Separate push button controls for start/stop, flow and temperature adjustment
Warm-up mode pauses at your ideal temperature so it's ready when you are
Digital clock display with 5 minute timer when the Eco function is selected
Includes Mira 360 showerhead with Mira Flipstream™ technology - 1 flip action, 4 unique sprays, plus a 25cm deluge head
Turn your shower on before you get in with an optional secondary controller, useable from up to 10m away



MIRA VISION
REAR FED



MIRA VISION
CEILING FED

Product Specification

Tech Details

Installation Units & Fittings

Water Entry Points - Back, Rear Fed; Top, Ceiling Fed
 Inlet Connections: 15mm Push Fit (supplied) or 15mm compression
 Data Connection to Digital Mixer: Wireless

Digital Mixer

Inlet Connections: 15mm Push Fit (supplied) or 15mm compression
 Outlet connection: 15mm push fit (supplied)
 Data Connection to control unit and fittings: Wireless
 Supply voltage: 230v +10%
 Supply rating: 3 amp

Supply Conditions

Cold water range: 1°C-20°C
 Hot water range: 55°C-65°C
 Minimum maintained pressure:
 Pumped: 0.01 bar (10cm head); High Pressure: 0.5 bar (5 metre head)
 Maximum maintained pressure:
 Pumped: 1.0 bar (10 metre head); High Pressure: 5.0 bar (50 metre head)
 Maximum static pressure:
 Pumped: 1.0 bar (10 metre head); High Pressure: 10.0 bar (100 metre head)

Performance

Flow rate: up to 16 l/min at 0.1 bar (Pumped); 1 bar (High Pressure)
 Temperature stability: ± 1°C

Safety Features

Factory set to safe max temp: Factory set at 45°C
 Automatic shutdown: Yes

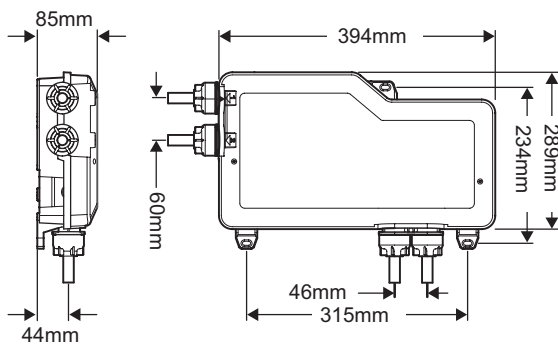
Approvals

WRAS approved
 KIWA UK approved product

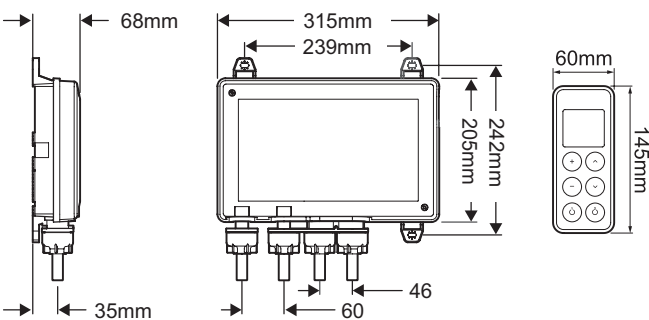


Dimensions

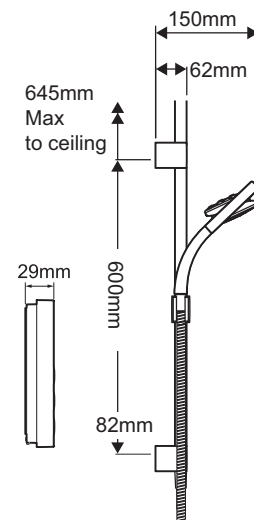
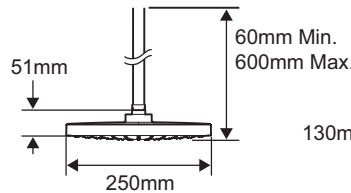
Pumped



High Pressure



Ceiling Fed Fittings



Rear Fed Fittings

