

# Mira Mode Maxim Dual Shower Ceiling Fed / Rear Fed



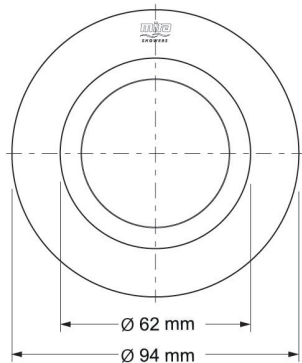
Rear Fed - High Pressure - 1.1907.001

Rear Fed - Pumped For Gravity - 1.1907.002

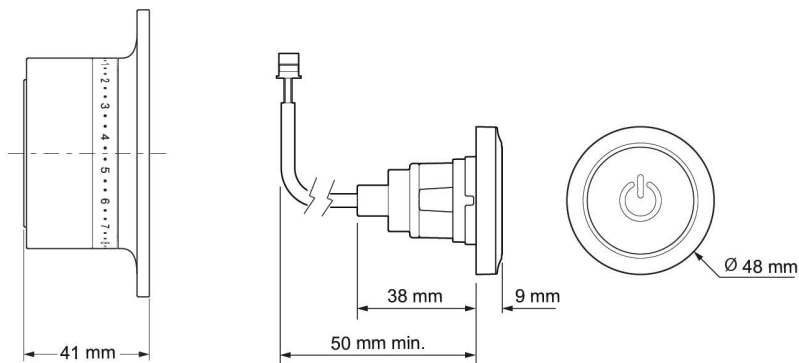
Ceiling Fed- High Pressure - 1.1907.003

Ceiling Fed - Pumped For Gravity - 1.1907.004

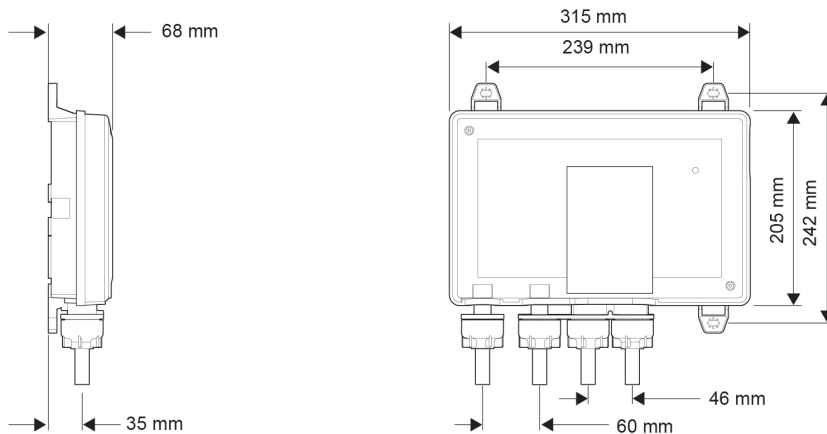
## Digital Controller



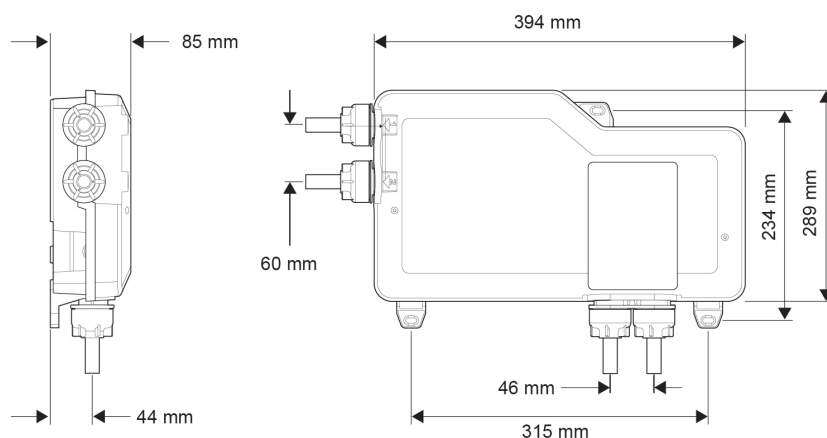
## Remote Start/Stop



## High Pressure



## Pumped



To download other resources, and for more information and advice on our products just visit:  
[www.mirashowers.co.uk](http://www.mirashowers.co.uk)

# Mira Mode Maxim Dual Shower Ceiling Fed / Rear Fed

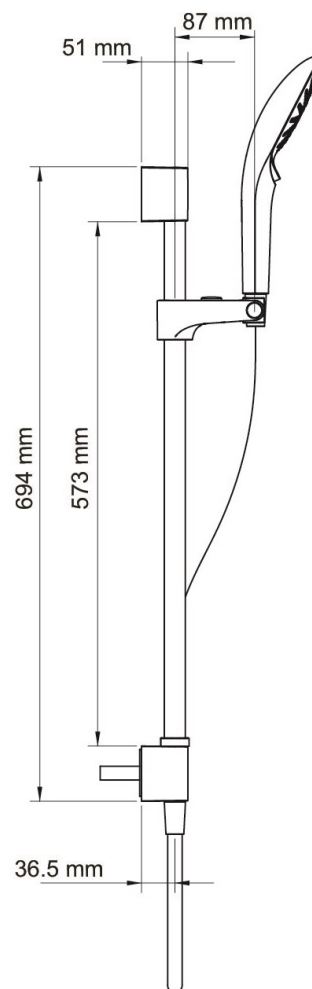
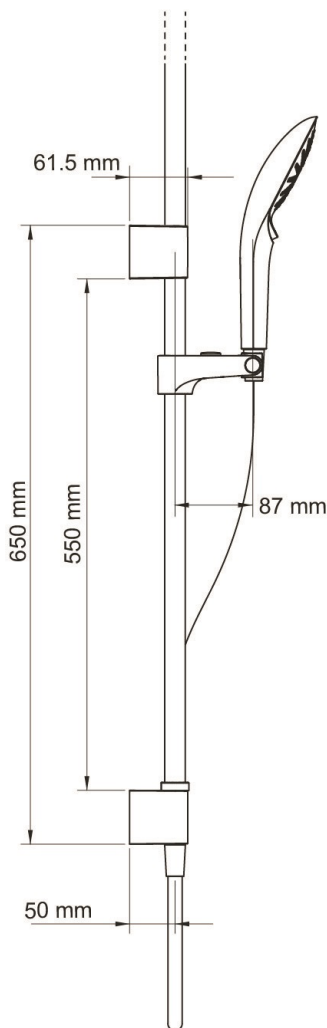
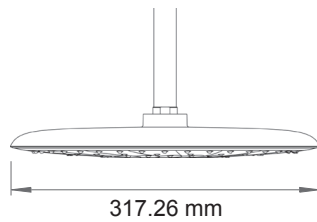
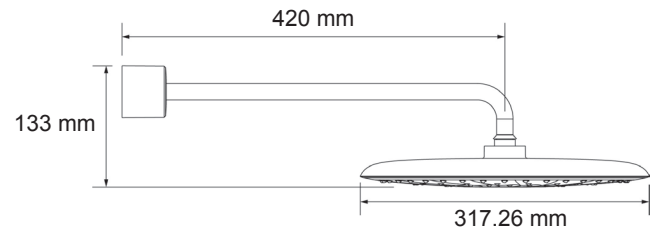


Rear Fed - High Pressure - 1.1907.001

Rear Fed - Pumped For Gravity - 1.1907.002

Ceiling Fed- High Pressure - 1.1907.003

Ceiling Fed - Pumped For Gravity - 1.1907.004



To download other resources, and for more information and advice on our products just visit:  
[www.mirashowers.co.uk](http://www.mirashowers.co.uk)