

### Features

- Brass construction.
- Less drain.
- 5-5/16" (135 mm) spout reach from wall to center of outlet.
- Requires two-handle ceramic valve [K-410-K].
- 2.0 gal/min (7.6 l/min) maximum flow rate [max at 60 psi (4.14 bar)].

### Required Accessories

K-410-K Wall-mount Valve

### Optional Accessories

K-7107 Decorative Drain  
K-7108 Decorative Drain  
K-7124 Pop-Up Clicker Drain  
K-7124-A Pop-Up Clicker Drain  
K-7129 Drain  
K-7129-A Drain  
K-8801 Sink Strainer  
1008176



ADA

### Codes/Standards

ASME A112.18.1/CSA B125.1  
NSF 61  
NSF 372  
All applicable US Federal and State material regulations  
DOE - Energy Policy Act 1992  
ADA  
ICC/ANSI A117.1



### KOHLER® Faucet Lifetime Limited Warranty

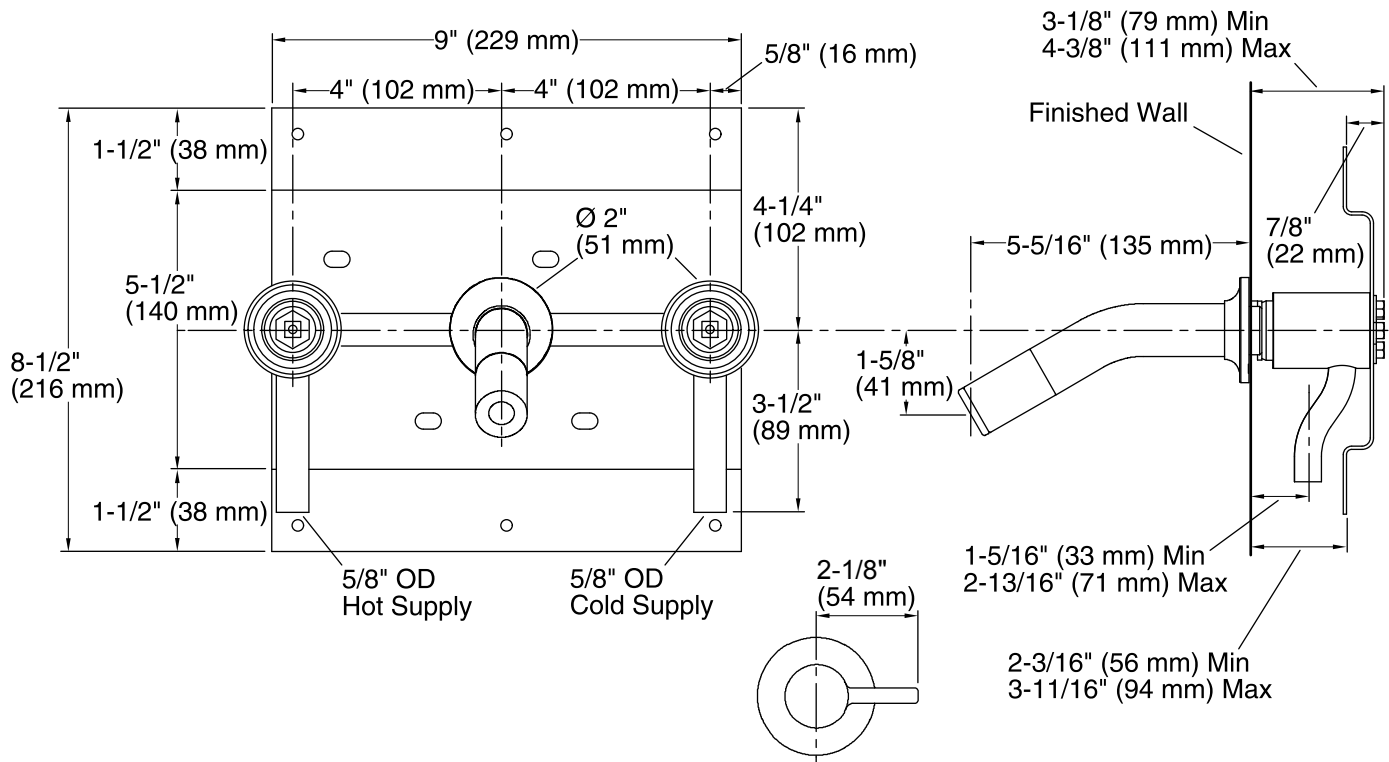
See website for detailed warranty information.

### Available Color/Finishes

*Color tiles intended for reference only.*

Color	Code	Description
-------	------	-------------

	CP	Polished Chrome
	BN	Vibrant® Brushed Nickel



### Technical Information

All product dimensions are nominal.

#### Spout:

Spout reach: 5-5/16" (135 mm)

Handle clearance: 2-1/8" (54 mm)

#### Faucet:

Flow rate: 2 gal/min (7.6 l/min)

Pressure: 60 psi (4.1 bar)

### Notes

Install this product according to the installation guide.

Three 1-1/2" (38 mm) diameter cutout holes are required for the spout and handles.

Maintain a minimum distance of 4" (102 mm) minimum between the bottom of spout and the top of fixture rim.

ADA compliant when installed to the specific requirements of these regulations.