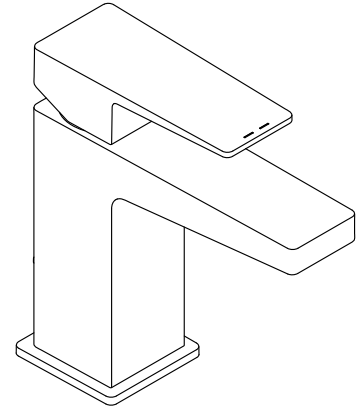


Features

- Brass construction
- 1.5 gpm flow rate
- Red/Blue indexing
- ADA compliant
- One-piece, self-contained ceramic disc valve controls both volume and temperature control
- Temperature memory allows the faucet to be turned on and off at any temperature setting
- Flexible supplies for easy installation



For complete listing of available colors, go to kohler.com.

ADA

CSA B651

OBC

Codes/Standards

ASME A112.18.1/CSA B125.1

NSF 61

NSF 372

ADA

ICC/ANSI A117.1

DOE - Energy Policy Act 1992

CSA B651

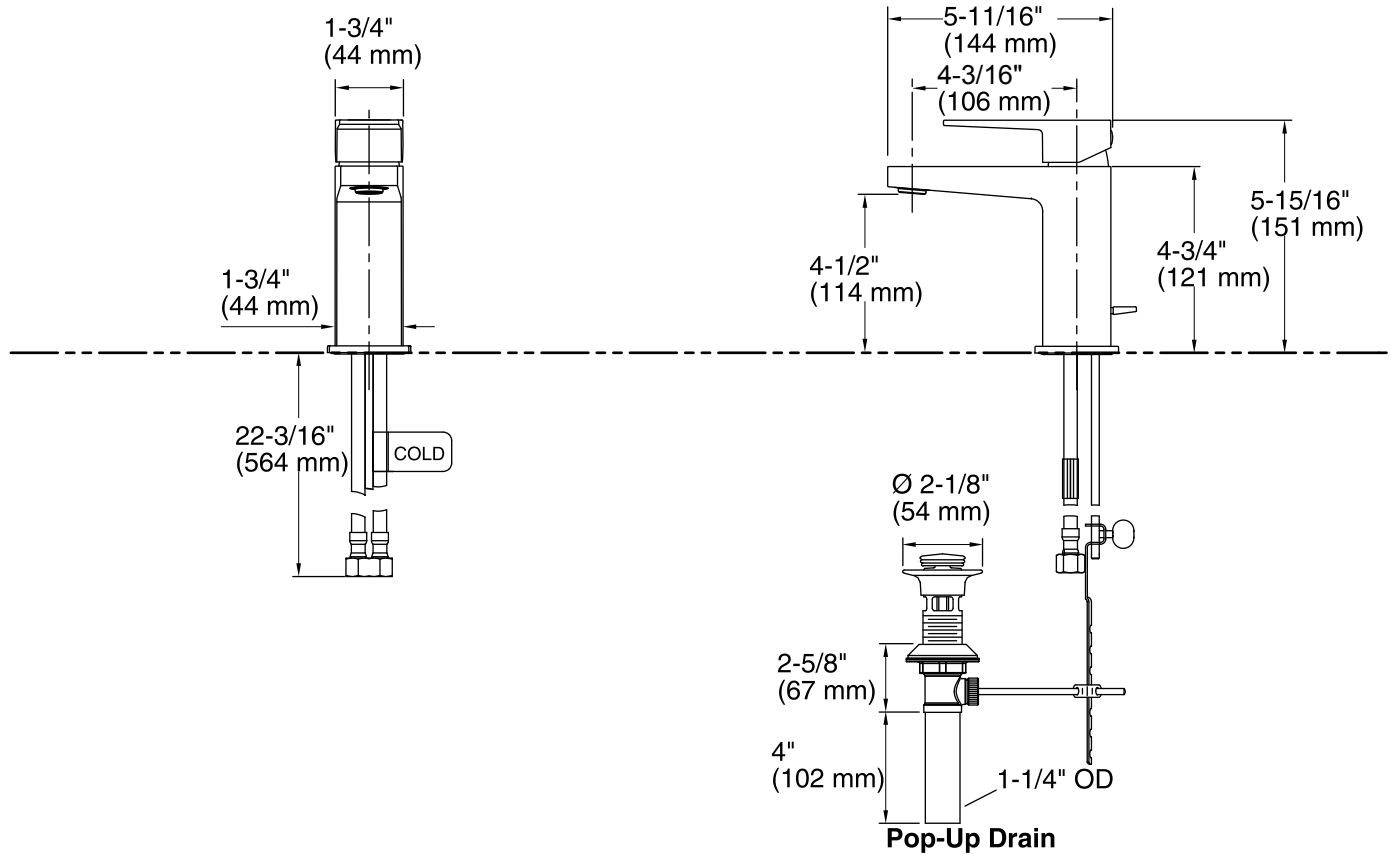
OBC

All applicable US Federal and State material regulations

See website for detailed warranty information.

Product Specification

Bathroom sink faucet shall be 4-3/16" (106 mm) spout reach and 4-1/2" (114 mm) spout outlet height. Bathroom sink faucet shall be made of brass construction. Bathroom sink faucet shall be pop-up drain with tailpiece and overflow. Bathroom sink faucet shall be single-hole installation. Bathroom sink faucet shall be KOHLER Model K-99760-4.



Technical Information

All measurements are nominal.

Valve body:	Plastic
Spout reach:	4-3/16" (106 mm)
Drain included:	YES
Drain with overflow:	YES
Drain tailpiece included:	YES

Installation Notes

Install this product according to the installation guide.

ADA, OBC, CSA B651 compliant when installed to the specific requirements of these regulations.