

### Features

- Frameless design highlights showering area.
- Innovative roller design simplifies installation and provides out-of-plumb adjustability.
- Frameless, 1/4" (6 mm) thick frosted tempered glass.
- Door tracking system features a hidden, cushioned, center guide for smooth, quiet sliding action.
- Smooth, easy-to-clean wall jambs.
- Contemporary vertical blade handles complete the look of this door.
- CleanCoat® technology creates a barrier between the water and glass to help keep your shower door looking new.

### Material

- Anodized aluminum prevents rusting or corrosion.
- Tempered glass ensures maximum safety and durability.

### Installation

- Out-of-plumb adjustability allows for simpler installation.
- Can be installed to open to the left or right.

### Components

Additional included component/s: Hardware kit.



### Codes/Standards

CPSC 16CFR 1201  
ANSI Z97.1 (Tempered Glass)

### KOHLER® One-Year Limited Warranty

See website for detailed warranty information.

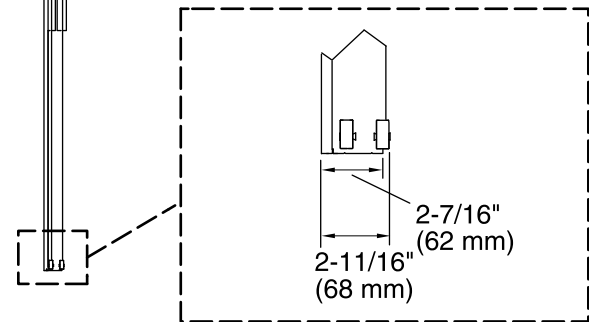
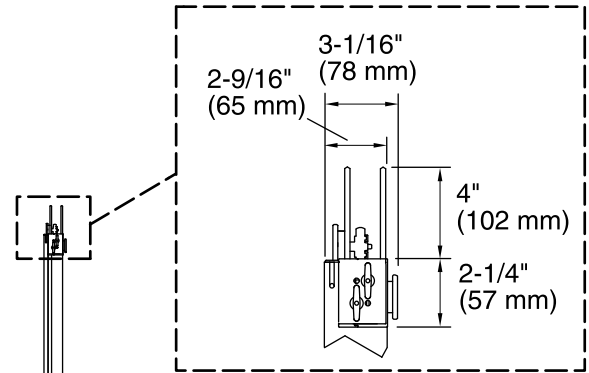
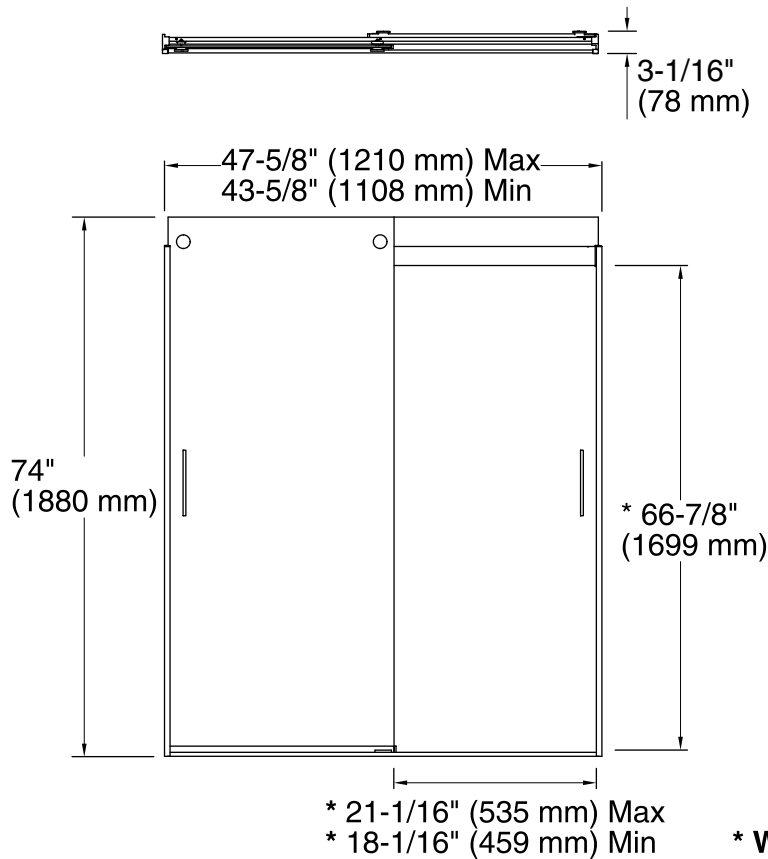
### Available Color/Finishes

*Color tiles intended for reference only.*

Color	Code	Description
	SH	Bright Silver
	MX	Matte Nickel
	ABV	Anodized Brushed Bronze
	ABZ	Anodized Dark Bronze

### Available Glass Options

Code	Description
D3	Frosted



**\* Walk-through**

### Technical Information

All product dimensions are nominal.

Installation type: For shower base installation

Opening style: Sliding/Bypass

Opening Width - Min:  $43\text{-}\frac{5}{8}\text{''}$  (1108 mm)

Opening Width - Max:  $47\text{-}\frac{5}{8}\text{''}$  (1210 mm)

Walk-through - Min:  $18\text{-}\frac{1}{16}\text{''}$  (459 mm)

Walk-through - Max:  $21\text{-}\frac{1}{16}\text{''}$  (535 mm)

Glass thickness:  $\frac{1}{4}\text{''}$  (6 mm)

Glass coating: CleanCoat®

### Notes

Install this product according to the installation guide.

If replacing a shower door, the narrow wall jamb design of this door may not cover the existing shower door holes.

The vertical opening should be a minimum of  $76\text{-}\frac{1}{2}\text{''}$  (1943 mm) to allow for installation clearance.