



Brookfield™
Cutting Board
K-6507

Features

- Fits over the K-5898 Brookfield and K-5924 Lakefield kitchen sinks.
- Durable hardwood construction.
- Provides a workstation for quick and easy food prepping.



Codes/Standards

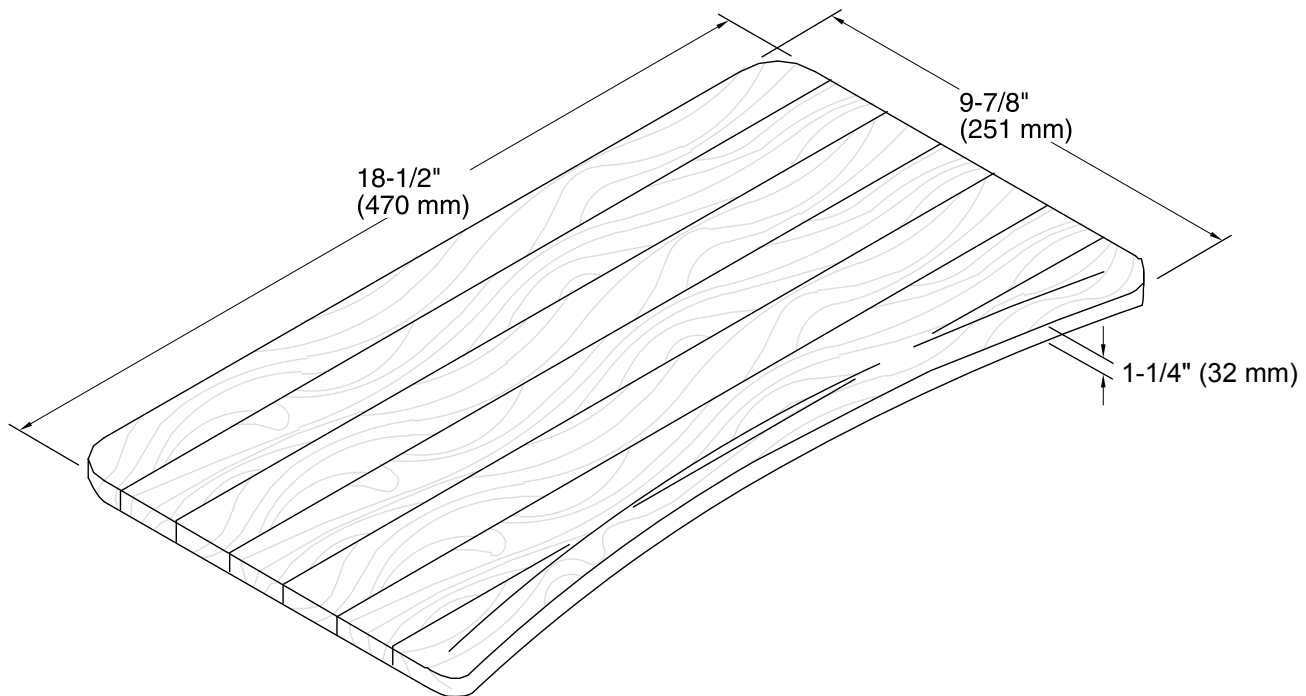
None Applicable

KOHLER® One-Year Limited Warranty

See website for detailed warranty information.

KOHLER[®]

Brookfield™
Cutting Board
K-6507



Technical Information

All product dimensions are nominal.

USA/Canada: 1-800-4KOHLER (1-800-456-4537)

Kohler Co. reserves the right to make revisions without notice to product specifications.

For the most current Specification Sheet, go to www.kohler.com.

3-18-2017 08:39

THE BOLD LOOK
OF **KOHLER**[®]