

Features

- 36-inch minimum base cabinet width.
- Large/medium bowls.
- 9-inch depth.
- Shortened apron allows sink to be used in most standard cabinetry or retrofitted to existing standard cabinetry.
- Self-Trimming apron overlaps the cabinet face for easy installation and beautiful results.
- No faucet holes.
- Smart Divide® features a low dividing barrier that increases workspace and versatility.
- Basin slopes toward drain to minimize water pooling.
- Offset drain increases workspace in the sink and storage space underneath.

Material

- KOHLER® enameled cast iron.

Installation

- Under-mount apron-front.

Components

Additional included component/s: Countertop cut-out template, and Cabinet face cut-out template.



For complete listing of available colors, go to kohler.com.

Codes/Standards

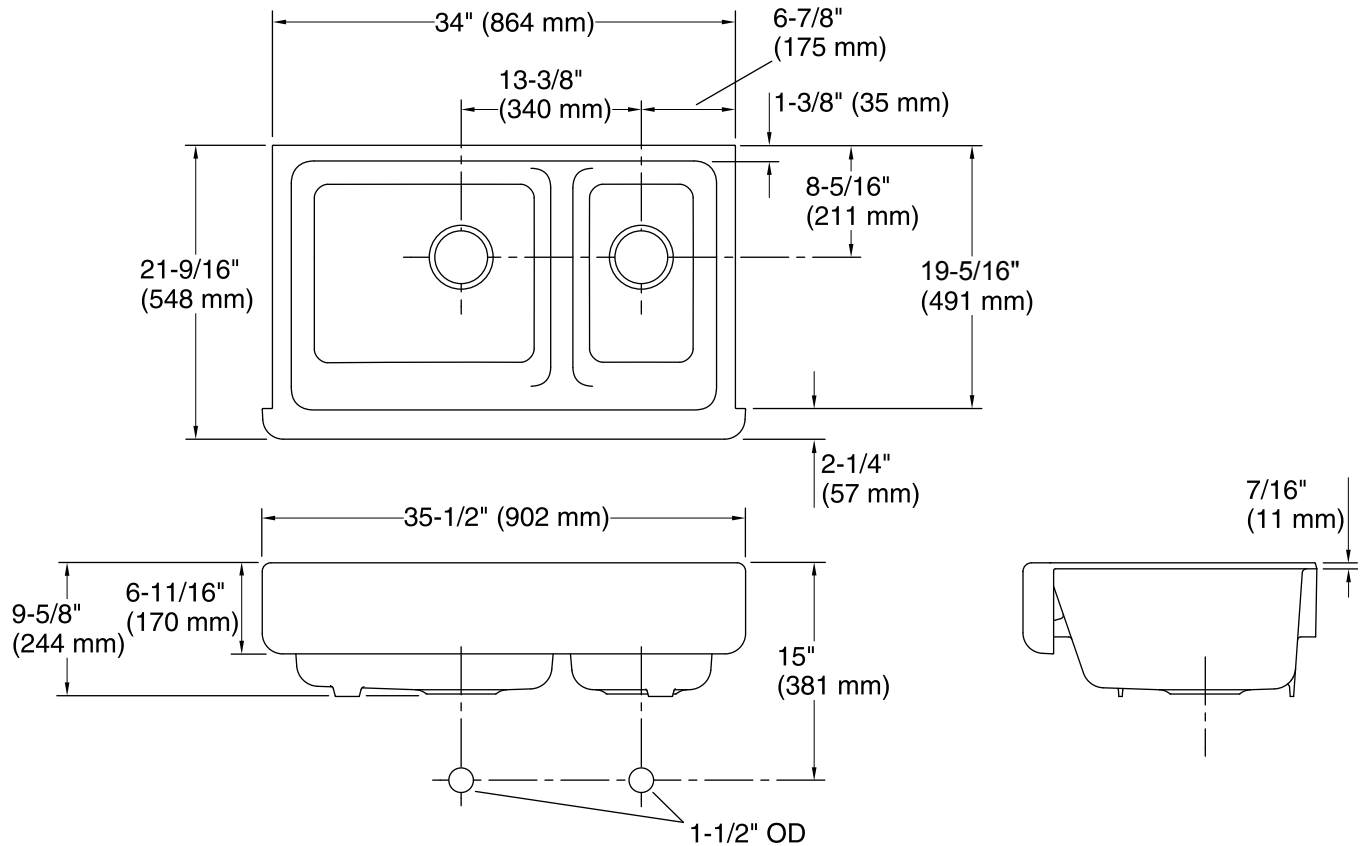
ASME A112.19.1/CSA B45.2

Kohler Enameled Cast Iron Kitchen Sink - Lifetime Limited Warranty

See website for detailed warranty information.

Product Specification

The kitchen sink shall be made of cast iron with acid-resistant enamel finish. Sink shall be 35-1/2" (902 mm) in length and 21-9/16" (548 mm) in width. Sink shall feature double (small/large) bowl with Smart Divide lowered divider. Sink shall be under-mount with 6-11/16" (170 mm) Self-Trimming integral apron. Sink shall fit a standard 36" sink base cabinet. Sink shall be Kohler Model K-6426.



Technical Information

All measurements are nominal.

Bowl configuration:	Large/medium
Installation:	Under-mount
Min. base cabinet width:	36" (914 mm)
Bowl area	Length: 18-13/16" (478 mm) Width: 18-1/16" (459 mm) Bowl depth: 9" (229 mm) Water depth: 9" (229 mm)
Bowl area	Length: 10-5/16" (262 mm) Width: 18-1/16" (459 mm) Bowl depth: 9" (229 mm) Water depth: 9" (229 mm)
Drain hole:	3-5/8" (92 mm)

Installation Notes

Install this product according to the installation guide.

NOTICE: The countertop manufacturer or cutter must use the cut-out template provided with the product, or a current one provided by Kohler Co. (call 1-800-4KOHLER). Kohler Co. is not responsible for cut-out errors when the incorrect cut-out template is used.

IMPORTANT! The distance from the top edge of the cabinet to the top of the cabinet door must be at least 6-7/8" (175 mm) to install this sink.