

### Features

- Freestanding design creates a striking focal point in your bathing area.
- Dual lumbar supports two-person bathing by offering comfort at both ends
- Wide ledge on one side is ideal for deck-mount faucet and/or handshower.
- Slotted overflow allows for deep soaking. Requires K-7271 or K-7272 Clearflo slotted overflow bath drain (sold separately).
- Center drain.
- VibrAcoustic® calms and soothes with sound vibration technology.
- Six concealed speakers send sound waves through the water to gently massage the body.
- Four original instrumental compositions offer different levels of relaxation.
- Plug in your smart phone, tablet, or MP3 player via auxiliary-in cable. Add your own receiver to stream wirelessly via Bluetooth®
- Fully adjustable volume above and below the water.
- Functions as a hydrotherapy bath when full of water and a stereo system when empty.
- Bask® heated surface creates spa-like relaxation with soothing warmth on your back and neck.
- Three heat settings allow you to customize the surface temperature.
- The BLUETOOTH® word mark and logos are registered trademarks owned by Bluetooth SIG, Inc. and any use of such marks by Kohler Co. is under license. Other trademarks and trade names are those of their respective owners.

### Material

- KOHLER ExoCrylic® material offers 30% lighter product weight for easier installation.\*
- 90% fewer VOCs\* (volatile organic compounds) produced during manufacturing.
- \*Compared to KOHLER Brand Acrylic FRP

### Hydrotherapy

- VibrAcoustic

### Installation

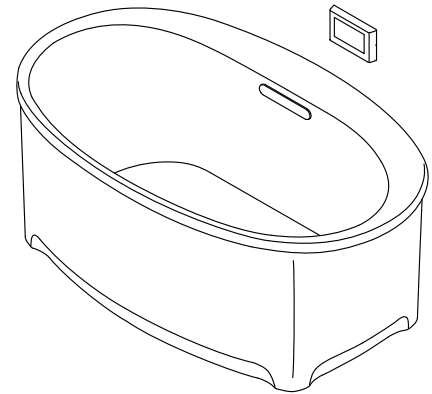
- Freestanding

### Required Accessories

K-7271 Slotted Overflow Bath Drain

or

K-7272 Slotted Overflow Bath Drain



### Codes/Standards

CSA B45.5/IAPMO Z124

UL 1795

CSA C22.2 No. 218.2

CARB P2

### KOHLER® One-Year Limited Warranty

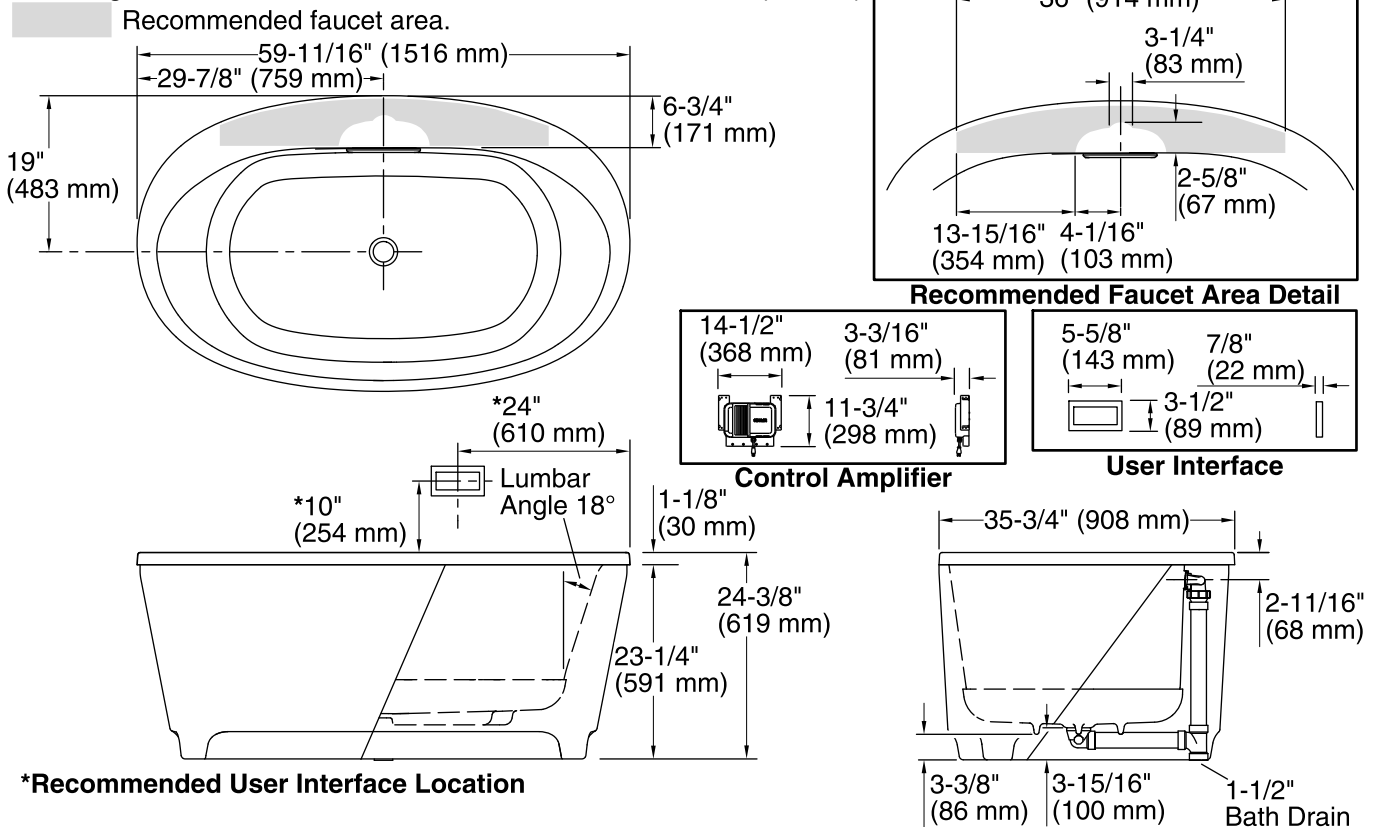
See website for detailed warranty information.

### Available Color/Finishes

*Color tiles intended for reference only.*

Color	Code	Description
	0	White
	47	Almond
	96	Biscuit
	G9	Sandbar
	NY	Dune

No change in measurements if connected with drain illustrated. (K-7272)



### Required Electrical Service

One circuit required, protected with Class A Ground-Fault Circuit-Interrupter (GFCI) or Residual Current Device (RCD).

Amplifier, Heated Surface: 120 V, 15 A, 60 Hz

### Technical Information

All product dimensions are nominal.

Installation:	Freestanding
Drain location:	Reversible
Basin area, bottom:	43" x 25-5/8" (1093 mm x 651 mm)
Basin area, top:	55-9/16" x 28-3/8" (1411 mm x 720 mm)
Weight:	90 lbs (40.8 kg)
Minimum floor load:	45.4 lbs/ft <sup>2</sup> (221.7 kg/m <sup>2</sup> )
Water depth:	16-5/16" (415 mm)
Water capacity:	72.017 gal (272.6 L)
Electrical rating:	Amplifier: 120 V, 50/60 Hz, 15 W Heated Surface: 120 V, 1.1 A, 60 Hz, 65 W

### Notes

Measure your actual product for roughing-in details.

Install this product according to the installation guide.

Hot water supply should be 70% of capacity or greater. Installations will vary.

Locate the bath within 24" (610 mm) of a GFCI-protected 120 V, 15 A grounded electrical outlet. A second grounded outlet within the wall framing must be within 24" (610 mm) of the planned control amplifier. Provide a third grounded outlet if connecting a powered wireless device or adapter. One electrical service may be used for the entire bath and related electrical components.

Control amplifier fits 16" (406 mm) center studs. 25' (7.6 m) cables are included.