

### Features

- Freestanding design creates a striking focal point in your bathing area.
- Dual lumbar supports two-person bathing by offering comfort at both ends
- Wide ledge on one side is ideal for deck-mount faucet and/or handshower.
- Slotted overflow allows for deep soaking. Requires K-7271 or K-7272 Clearflo slotted overflow bath drain (sold separately).
- Center drain.
- Bask® heated surface creates spa-like relaxation with soothing warmth on your back and neck.
- Customize the heat with three adjustable settings.

### Material

- KOHLER ExoCrylic® material offers 30% lighter product weight for easier installation.\*
- 90% fewer VOCs\* (volatile organic compounds) produced during manufacturing.
- \*Compared to KOHLER Brand Acrylic FRP

### Installation

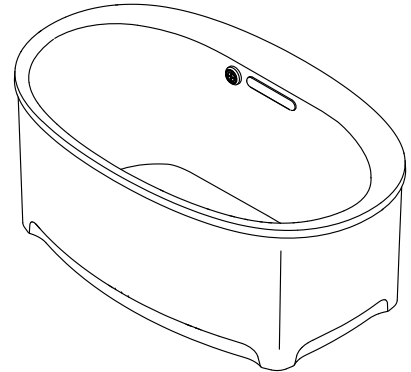
- Freestanding

### Required Accessories

K-7271 Slotted Overflow Bath Drain

or

K-7272 Slotted Overflow Bath Drain



### Codes/Standards

CSA B45.5/IAPMO Z124  
UL 1795  
CSA C22.2 No. 218.2  
CARB P2

### KOHLER® One-Year Limited Warranty

See website for detailed warranty information.

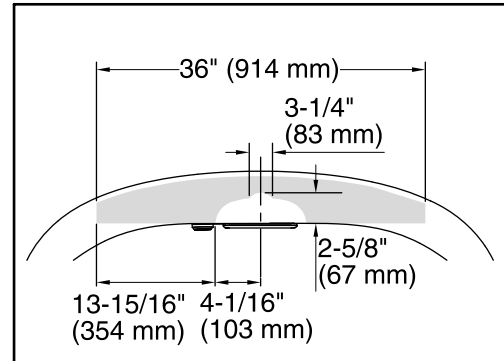
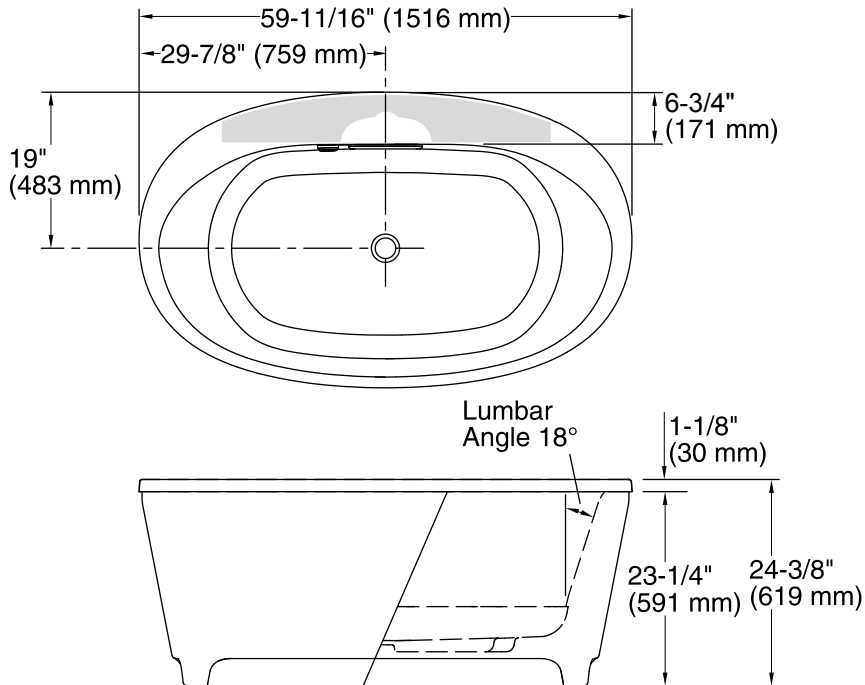
### Available Color/Finishes

*Color tiles intended for reference only.*

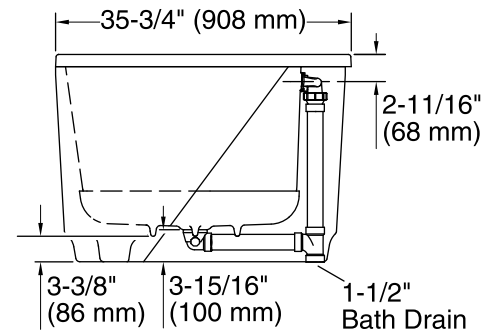
Color	Code	Description
	0	White
	47	Almond
	96	Biscuit
	G9	Sandbar
	NY	Dune

No change in measurements if connected with drain illustrated. (K-7272)

Recommended faucet area.



**Recommended Faucet Area Detail**



### Required Electrical Service

One circuit required, protected with Class A Ground-Fault Circuit-Interrupter (GFCI) or Residual Current Device (RCD).

Heated Surface: 120 V, 15 A, 60 Hz

### Technical Information

All product dimensions are nominal.

Installation:	Freestanding
Drain location:	Reversible
Basin area, bottom:	43" x 25-5/8" (1093 mm x 651 mm)
Basin area, top:	55-9/16" x 28-3/8" (1411 mm x 720 mm)
Weight:	91 lbs (41.3 kg)
Minimum floor load:	45.4 lbs/ft <sup>2</sup> (221.7 kg/m <sup>2</sup> )
Water depth:	16-5/16" (415 mm)
Water capacity:	72.017 gal (272.6 L)
Electrical rating:	Heated Surface: 120 V, 1.1 A, 50/60 Hz, 65 W

### Notes

Measure your actual product for roughing-in details.

Install this product according to the installation guide.

Hot water supply should be 70% of capacity or greater. Installations will vary.

Locate the bath within 24" (610 mm) of a GFCI-protected 120 V, 15 A grounded electrical outlet.