

### Features

- Vitreous china.
- Elongated bowl.
- Includes K-4686 toilet seat with scalloped handhold locations for children.
- Available with white, primary yellow, primary red, or primary blue colored seats.
- 10" (254 mm) rough-in.
- 1-1/2" top spud.
- 1.28 gpf (4.8 lpf).
- 12-3/8" (314 mm) x 10-1/8" (257 mm) water area.
- 26-7/8" (683 mm) x 12-7/8" (327 mm) x 12" (305 mm).

### Recommended Accessories

K-10673 WAVE Touchless Toilet 1.28 gpf Flushometer  
K-10956 Tripoint™ DC 1.28 GPF WC Flushometer  
K-13517 Manual 1.28 GPF WC Flushometer

### Components

Additional included component/s: Spud, Seat, and Bolt cap accessory pack.



ADA CSA B651 OBC

### Codes/Standards

ASME A112.19.2/CSA B45.1  
DOE - Energy Policy Act 1992  
ADA  
ICC/ANSI A117.1  
CSA B651  
OBC

### KOHLER® One-Year Limited Warranty

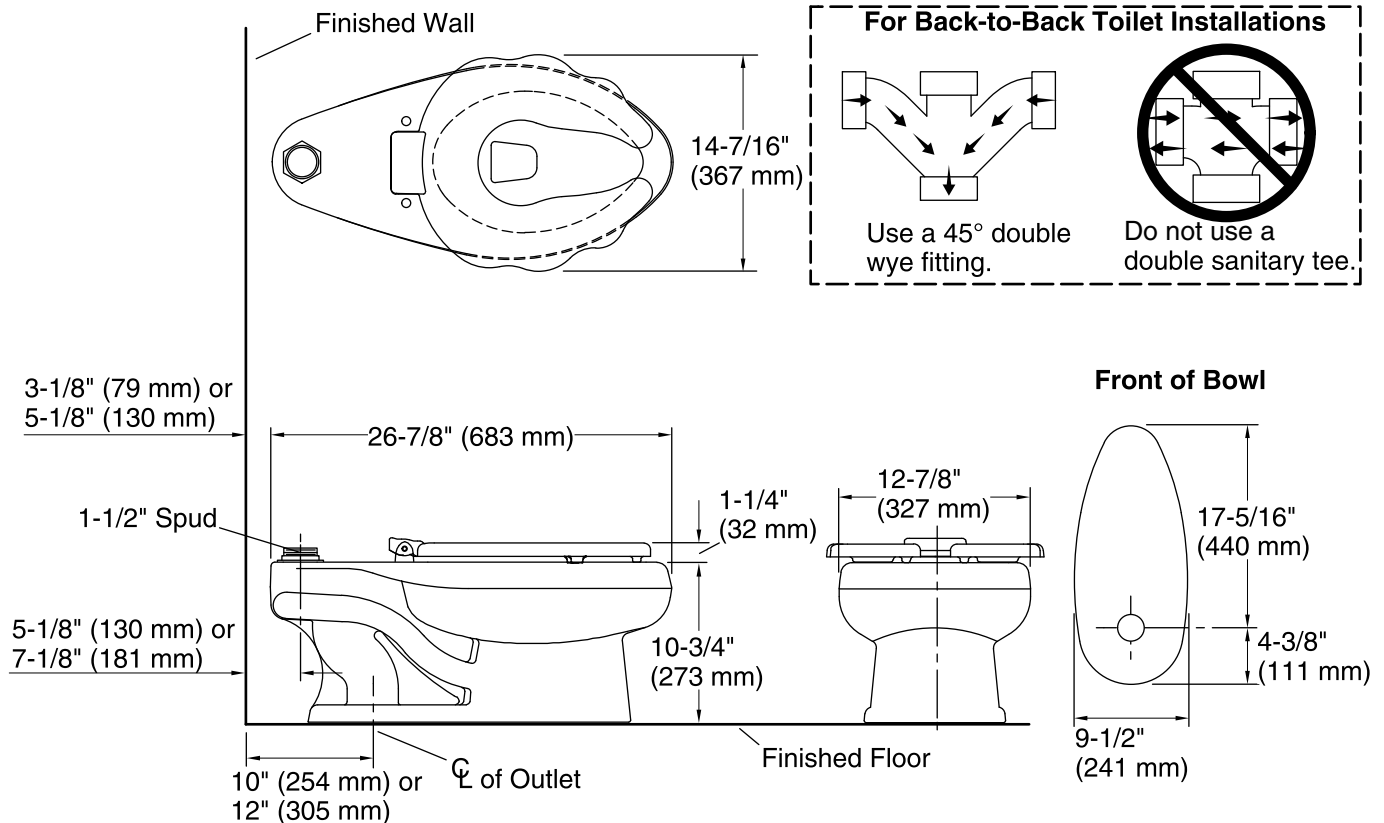
See website for detailed warranty information.

### Available Color/Finishes

*Color tiles intended for reference only.*

Color	Code	Description
-------	------	-------------

	0	White
--	---	-------



### Technical Information

All product dimensions are nominal.

Toilet type:	Flushometer, Floor-mount
Waste Outlet:	Floor
Bowl shape:	Elongated front
Spud size:	1-1/2", Inlet, Top
Trap passageway:	2-1/8" (54 mm)
Water surface size:	12-3/8" x 10-1/8" (314 mm x 257 mm)
Rim to water surface:	4-1/4" (108 mm)
Rough-in:	10" or 12" (254 or 305 mm)
Seat-mounting holes:	5-1/2" (140 mm)

### Notes

Install this product according to the installation instructions.

Refer to manufacturer's instructions and local codes for flushometer requirements.

For back-to-back toilet installations: Use only a 45° double wye fitting.

ADA, OBC, CSA B651 compliant when installed to the specific requirements of these regulations.

Plumbing Codes require elongated toilets and elongated, open-front toilet seats in public bathrooms.

Accessibility standards require controls to be located on the open side of the toilet.