



Vault™
Top-mount/Under-mount Kitchen Sink
K-3822-1

Features

- 27-inch minimum base cabinet width.
- 18-gauge stainless steel.
- Top-mount or under-mount.
- Medium single bowl.
- Single faucet hole.
- With SilentShield® sound-absorption technology.
- 25" (635 mm) x 22" (559 mm)

Optional Accessories

- K-6429 Utility Rack
- K-6667 Wood Cutting Board
- K-8801 Sink Strainer
- 1177161 Installation Clip Kit

Components

Product includes:

- K-6645 Sink Rack
- 1130570 Hardware Kit, Self-Rimming

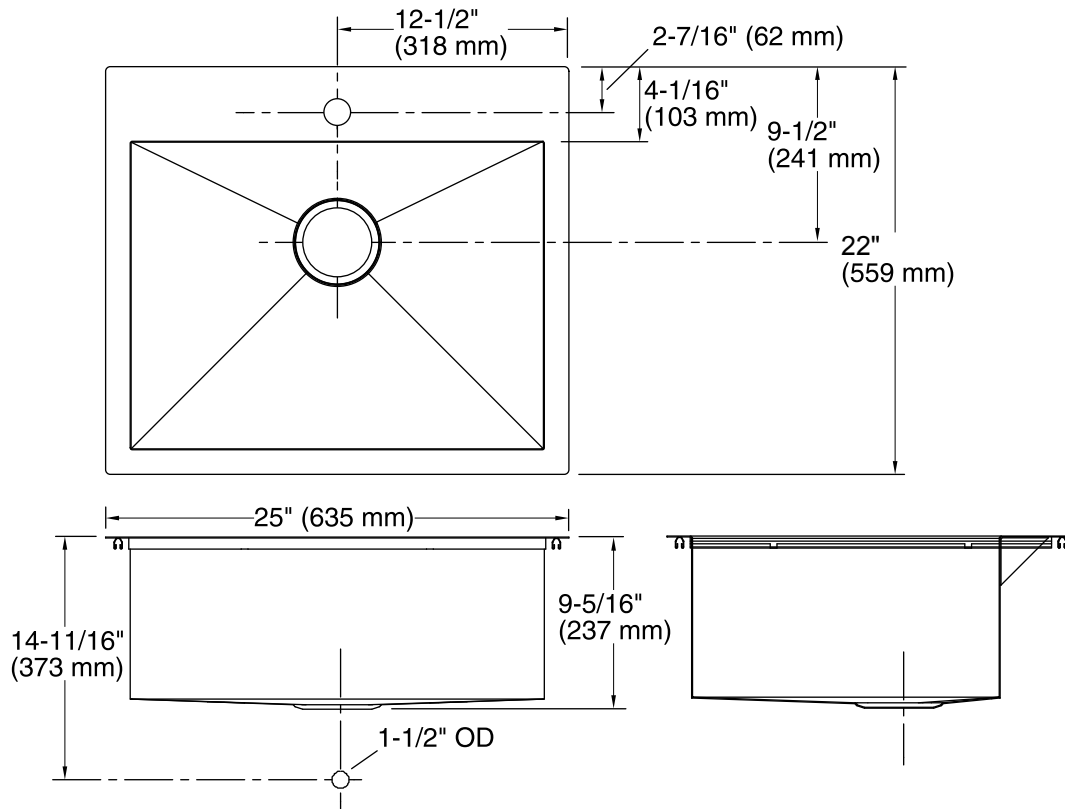


Codes/Standards

ASME A112.19.3/CSA B45.4

**Lifetime Limited Warranty for
KOHLER® Stainless Steel Sinks**

See website for detailed warranty information.



Technical Information

All product dimensions are nominal.

Bowl configuration:	Single
Installation:	Top-mount, Under-mount
Bowl area (Only)	Length: 22-1/4" (565 mm) Width: 16-9/16" (421 mm) Water depth: 9" (229 mm)
Number of deck holes:	1
Faucet hole(s):	1-7/16" (37 mm)
Drain hole:	3-7/8" (98 mm)
Template:	1130822-7, required, included

Notes

Install this product according to the installation instructions.

Allow 3/4" (19 mm) clearance beyond the back of the bowl for the wood cutting board (optional accessory).