



**Vault™**  
Top-mount/Under-mount Kitchen Sink  
**K-3821-1**

**Features**

- 36-inch minimum base cabinet width.
- 18-gauge stainless steel.
- Top-mount or under-mount.
- Large single bowl.
- Single faucet hole.
- With SilentShield® sound-absorption technology.
- 33" ( 838 mm) x 22" (559 mm)

**Optional Accessories**

- K-6429 Utility Rack
- K-6667 Wood Cutting Board
- K-8801 Sink Strainer
- 1177161 Installation Clip Kit

**Components**

Product includes:

- K-6644 Sink Rack
- 1130570 Hardware Kit, Self-Rimming

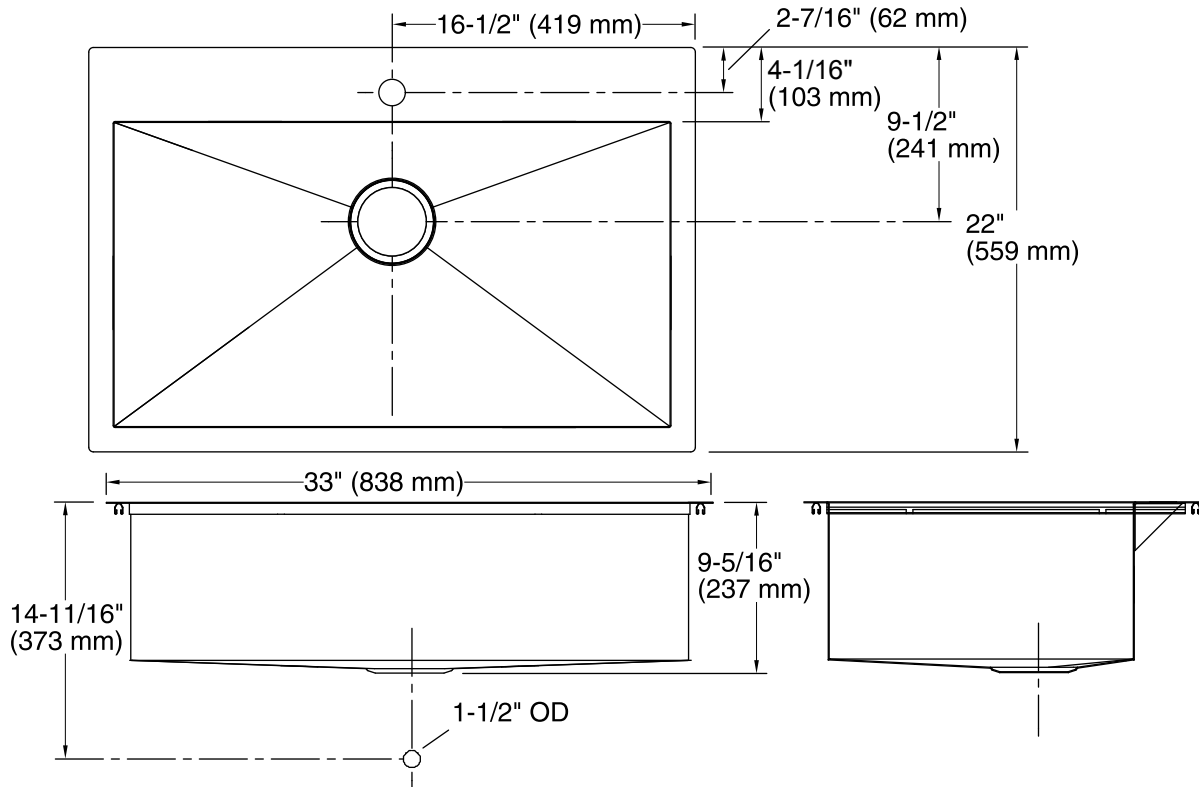


**Codes/Standards**

ASME A112.19.3/CSA B45.4

**Lifetime Limited Warranty for  
KOHLER® Stainless Steel Sinks**

See website for detailed warranty information.



### Technical Information

All product dimensions are nominal.

Bowl configuration:	Single
Installation:	Top-mount, Under-mount
Bowl area (Only)	Length: 30-1/4" (768 mm) Width: 16-9/16" (421 mm) Water depth: 9" (229 mm)
Number of deck holes:	1
Faucet hole(s):	1-7/16" (37 mm)
Drain hole:	3-7/8" (98 mm)
Template:	1130821-7, required, included

### Notes

Install this product according to the installation instructions.

Allow 3/4" (19 mm) clearance beyond the back of the bowl for the wood cutting board (optional accessory).