

Features

- 36-inch minimum base cabinet width.
- Double equal bowls.
- 8-inch depth.
- Three faucet holes with one accessory hole to the right.
- SilentShield® sound-absorption technology offers quieter performance.
- Includes hardwood cutting board.
- Includes installation hardware.

Material

- 18-gauge stainless steel.

Installation

- Top-mount



For complete listing of available colors, go to kohler.com.

Codes/Standards

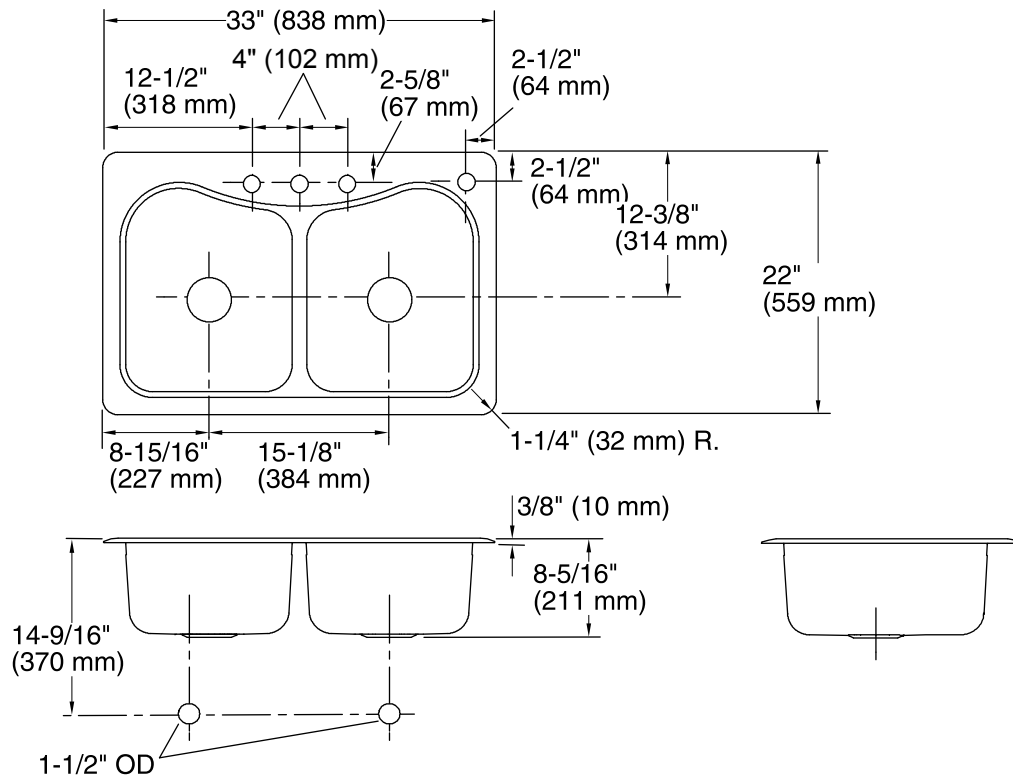
ASME A112.19.3/CSA B45.4

Lifetime Limited Warranty for Kohler Stainless Steel Sinks

See website for detailed warranty information.

Product Specification

Sink shall be 33" (838 mm) in length and 22" (559 mm) in width. Sink shall be made of 18-gauge stainless steel. Sink shall be a double (equal) compartment. Sink shall be four deck holes. Sink shall be top-mount. Sink shall be Kohler Model K-3369-4.



Technical Information

- All measurements are approximate only.
- Bowl configuration: Double equal
- Installation: Top-mount
- Cutout: Top-mount, 32-1/2" x 21-1/2" (826 mm x 546 mm) with 1" (25 mm) radius corners
- Minimum base cabinet width: 36" (914 mm)
- Bowl area (left/right): 17-1/16" x 13-15/16" (433 mm x 354 mm)
- Water depth(left/right): 8" (203 mm)
- Number of deck holes: 4
- Faucet hole(s): 1-7/16" (37 mm)
- Drain hole: 3-5/8" (92 mm)

Installation Notes

Install this product according to the installation guide.