

Features

- For new construction or complete remodel of tiled showers only.
- Four removable easy-to-clean polypropylene shelves.
- Cutouts for razor and washcloth storage.

Material

- Aluminum



Codes/Standards



None Applicable

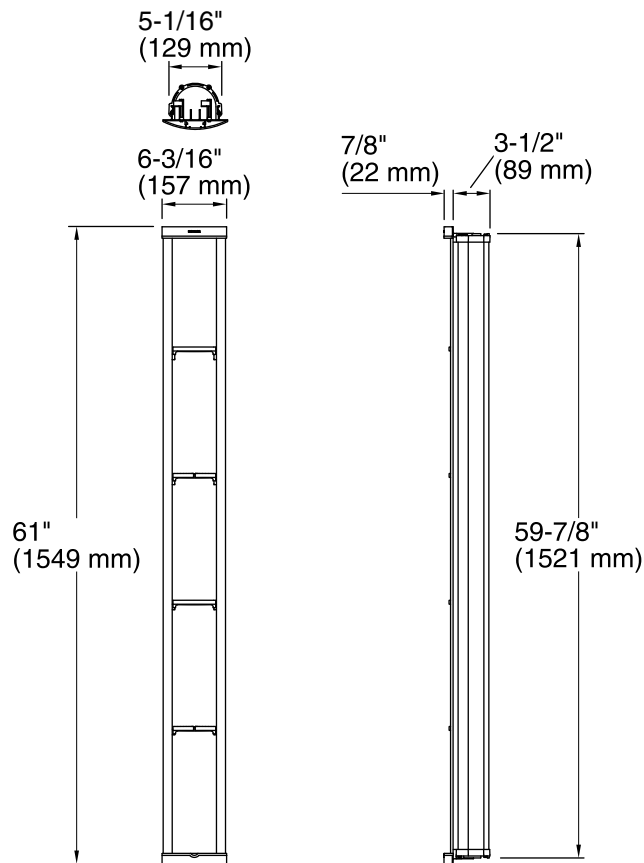
KOHLER® One-Year Limited Warranty

See website for detailed warranty information.

Available Color/Finishes

Color tiles intended for reference only.

Color	Code	Description
	MX	Matte Nickel
	SS	Satin Silver



Technical Information

All product dimensions are nominal.

Notes

Install this product according to the installation guide.

Product placement must be determined in advance. Installation requires additional stud reinforcement.

Product protrudes into the stud pocket. The intended stud pocket should be free of plumbing, wiring, or other obstructions.