



Features

- End drain.
- Integral lumbar support and armrests for comfort.
- Slotted overflow allows for deep soaking.
- 60" (1524 mm) x 30" (762 mm) x 19" (483 mm)

Material

- Acrylic

Hydrotherapy

- 118-122 BubbleMassage™ airjets.
- Variable-speed pump for adjusting hydromassage intensity.
- Variable-speed blower lets you adjust airjet massage intensity to 18 levels.
- Single-speed whirlpool offers eight fully adjustable hydro-massage jets for water flow and direction.
- Pump with air switch for whirlpool.
- Zones of Control™ feature allows you to target airjet massage to back, midsection, or feet.
- Built-in 1500 W heater.
- Automatic purge cycles remove residual water from air channels after use.
- Lighted keypad control.

Installation

- Drop-in or under-mount.

Required Accessories

K-7271 Brass Slotted Overflow Bath Drain
K-9698 Flexjet® Whirlpool Trim Kit

or

K-7272 PVC Slotted Overflow Bath Drain

Recommended Accessories

K-1491 Bath/Whirlpool Pillow
K-1601 Bath/Whirlpool Footstop
K-9497 2-1/2" Keypad Trim
K-9498 3" Keypad Trim
K-531 Under-mount Installation Kit
1172315 Vibracoustic® Bath Mounting Plate
K-24916 Wireless Music Kit



Codes/Standards

ASME A112.19.7/CSA B45.10
CSA B45.5/IAPMO Z124
ASTM E162
ASTM E662
UL 1795
CSA C22.2 No. 218.2
Greenguard UL 2818 - Gold

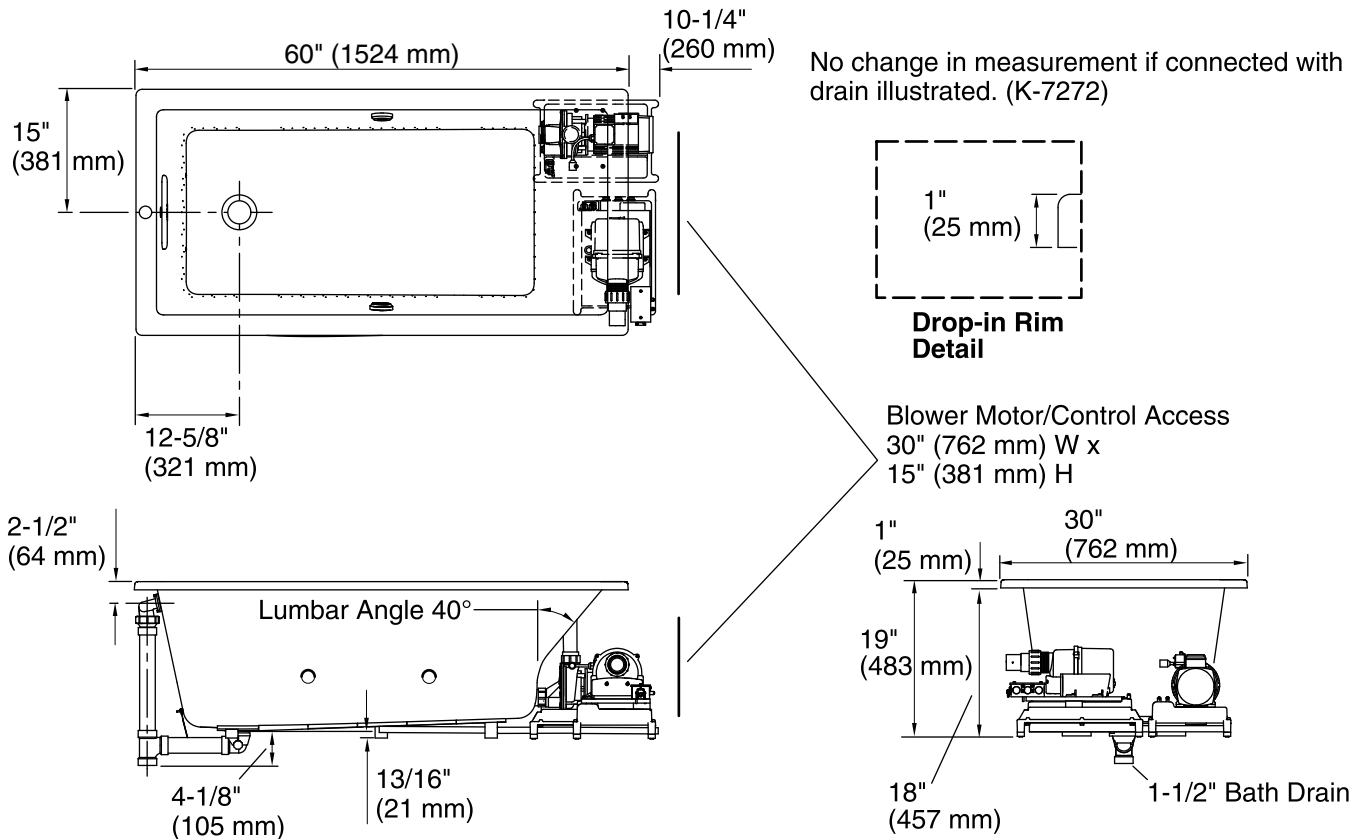
KOHLER® One-Year Limited Warranty

See website for detailed warranty information.

Available Color/Finishes

Color tiles intended for reference only.

Color	Code	Description
	0	White
	96	Biscuit
	47	Almond
	NY	Dune
	95	Ice™ Grey
	G9	Sandbar
	33	Mexican Sand™
	K4	Cashmere
	58	Thunder™ Grey
	7	Black Black™



Required Electrical Service

One dedicated circuit required, protected with Class A Ground-Fault Circuit-Interrupter (GFCI) or Residual Current Device (RCD).

Blower, Pump, 220-240 V, 20 A, 50/60 Hz
Heater:

Technical Information

All product dimensions are nominal.

Installation:	Drop-in, Under-mount
Drain location:	End
Basin area, bottom:	42-3/8" x 20" (1076 mm x 508 mm)
Basin area, top:	54-3/8" x 24-5/16" (1381 mm x 618 mm)
Weight:	155 lbs (70.3 kg)
Minimum floor load:	53.6 lbs/ft ² (261.7 kg/m ²)
Water depth:	15-1/16" (383 mm)
Water capacity:	59.8 gal (226.4 L)
Cutout:	Drop-in/Top-mount (Bathing), 59-1/2" x 29-1/2" (1511 mm x 749 mm)
Electrical component rating:	Blower: 240 V, 5 A, 50/60 Hz, 300 W Pump: 240 V, 11 A, 50/60 Hz Heater: 240 V, 50/60 Hz, 1500 W

Notes

Measure your actual product for rough-in details.

Install this product according to the installation instructions.

The hot water supply should be 70% of the capacity of the bath or greater. Installations will vary.

The pump base extends 10-1/4" (260 mm) beyond the edge of the rim. Modify the framing as needed.

Drop-in installation requires custom framing.

IMPORTANT! Dry fit the drain assembly prior to installing the bath. The bath cannot be installed with all drain components attached.

For under-mount installations, kit K-531 is available to order.