



### Features

- Integral flange.
- Right drain.
- Slotted overflow for deep soaking.
- VibrAcoustic® technology emits sound waves and offers a surround sound experience.
- Six transducers and a control amplifier with 25' (7.6 m) of wiring.
- Integral lumbar support.
- 60" (1524 mm) x 30" (762 mm) x 19" (483 mm)

### Material

- Acrylic

### Hydrotherapy

- 122 BubbleMassage™ airjets.
- Variable-speed blower for adjusting hydromassage intensity.
- Automatic purge cycles remove residual water from air channels after use.
- Built-in 300 W heater.
- High-resolution color screen in polished chrome.

### Installation

- Alcove
- Syncs with devices enabled with BLUETOOTH® wireless technology including smart phones, MP3 players, tablets and laptops located up to 33 feet away.\*

### Required Accessories

K-7271 Brass Slotted Overflow Bath Drain

or

K-7272 PVC Slotted Overflow Bath Drain

### Recommended Accessories

1184460 Kit, UI Mounting



### Codes/Standards

ASME A112.19.7/CSA B45.10  
CSA B45.5/IAPMO Z124  
ASTM E162  
ASTM E662  
UL 1795  
Greenguard UL 2818 - Gold  
CARB P2

### KOHLER® One-Year Limited Warranty

See website for detailed warranty information.

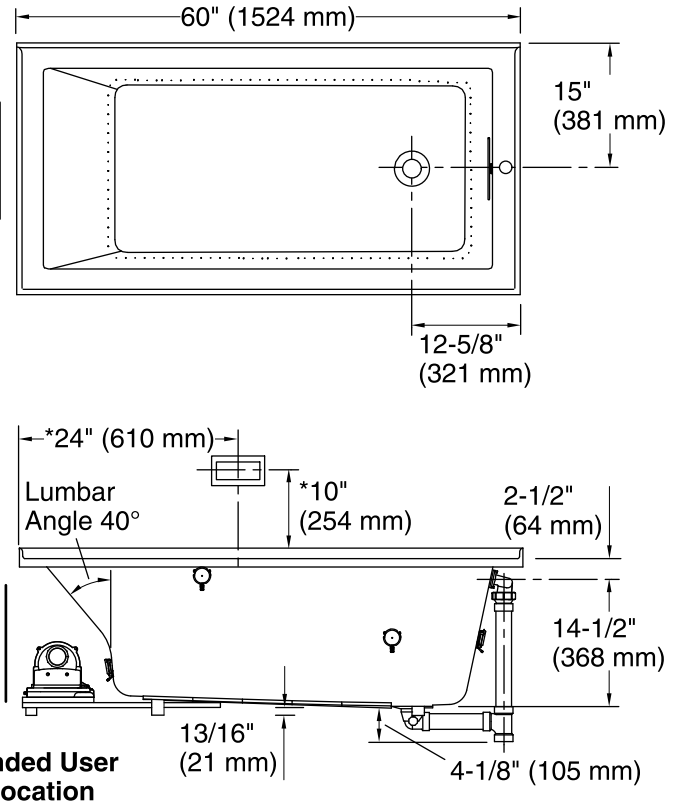
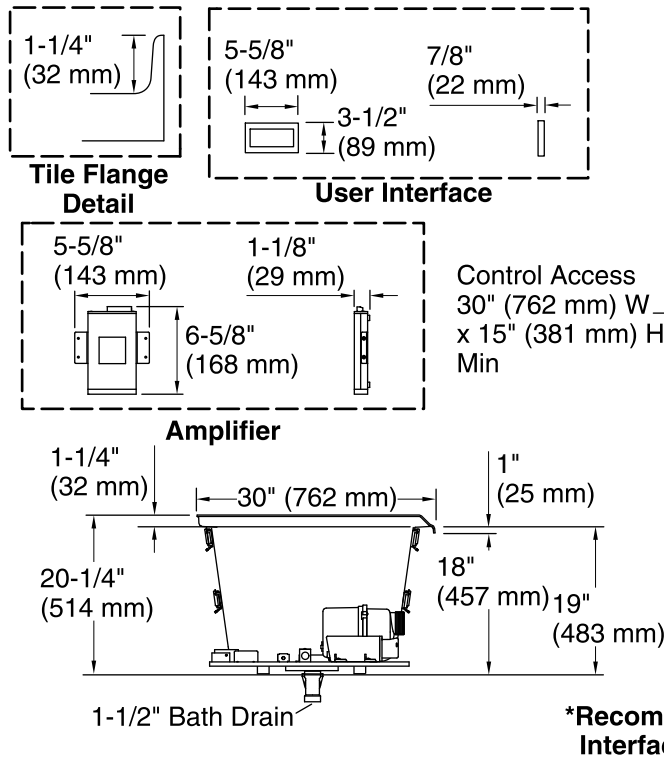
\*The BLUETOOTH® word mark and logos are registered trademarks owned by Bluetooth SIG, Inc. and any use of such marks by Kohler Co. is under license. Other trademarks and trade names are those of their respective owners.

### Available Color/Finishes

*Color tiles intended for reference only.*

| Color | Code | Description   |
|-------|------|---------------|
|       | 0    | White         |
|       | 96   | Biscuit       |
|       | 47   | Almond        |
|       | NY   | Dune          |
|       | 95   | Ice™ Grey     |
|       | G9   | Sandbar       |
|       | 33   | Mexican Sand™ |
|       | K4   | Cashmere      |
|       | 58   | Thunder™ Grey |
|       | 7    | Black Black™  |

No change in measurement if connected with drain illustrated. (K-7272)



### Required Electrical Service

One dedicated circuit required, protected with Class A Ground-Fault Circuit-Interrupter (GFCI) or Residual Current Device (RCD).

Blower, Amplifier: 120 V, 15 A, 60 Hz

### Technical Information

All product dimensions are nominal.

|                              |  |
|------------------------------|--|
| Installation:                | 3-Wall Alcove  |
| Drain location:              | Right  |
| Basin area, bottom:          | 42-3/8" x 20" (1076 mm x 508 mm)                                       |
| Basin area, top:             | 54-3/8" x 24-5/16" (1381 mm x 618 mm)                                  |
| Weight:                      | 110 lbs (49.9 kg)  |
| Minimum floor load:          | 50 lbs/ft <sup>2</sup> (244.1 kg/m <sup>2</sup> )                      |
| Water depth:                 | 15-1/16" (383 mm)  |
| Water capacity:              | 59.8 gal (226.4 L)   |
| Electrical component rating: | Blower: 120 V, 10 A, 60 Hz, 300 W<br>Amplifier: 120 V, 1.1 A, 50/60 Hz |
| Amplifier channels:          | 2 at 15 W per channel<br>2 at 30 W per channel                         |
| Blower speed:                | Variable   |
| Minimum flat for door:       | 2-1/2" (63 mm)   |

### Notes

Measure your actual product for rough-in details.

Install this product according to the installation instructions.

The hot water supply should be 70% of the capacity of the bath or greater. Installations will vary.

Provide one grounded electrical outlet within 24" (610 mm) of each component.

Control amplifier fits 16" (406 mm) center studs. 25' (7.6 m) cables are included.

One electrical service may be used for the entire bath and related electrical components.

Remote blower installation kit K-1446 is available for relocating the blower. Provide access for servicing the blower.

Do not relocate or alter the PVC tee or coiled flexible tubing connected to the blower. Follow the blower relocation instructions exactly.