

# Homeowners Guide

## Toilet with Cleansing Seat

Français, page "Français-1"  
Español, página "Español-1"

THE BOLD LOOK  
OF **KOHLER**®

1384198-5-A

# IMPORTANT SAFEGUARDS

## READ ALL INSTRUCTIONS BEFORE USING

When using electrical products, especially when children are present, basic safety precautions should always be followed, including the following:



**DANGER: Risk of electric shock.** Connect only to a circuit protected by a Ground-Fault Circuit-Interrupter (GFCI)\*.



**WARNING: Risk of personal injury.** UV light emitted from this light can cause injury to skin or eyes. Avoid exposure to unshielded lamp.



**WARNING: Risk of personal injury.** Replacement of the UV lamp must only be performed by qualified service personnel.



**CAUTION: Risk of personal injury.** Do not remove the UV lamp protective cover. Eye damage may result from viewing the UV light directly.

For Service Personnel:



**WARNING: Risk of electric shock.** Disconnect power before servicing.



**WARNING: Risk of personal injury.** The UV lamp cover has an interlock designed to reduce the risk of excessive ultraviolet radiation. Do not bypass the interlock. Reinstall the interlock after servicing.

\*Outside North America, this device may be known as a Residual Current Device (RCD).



**WARNING: To reduce the risk of burns, electrocution, fire, or injury to persons:**

- Close supervision is necessary when this product is used by or near children, the elderly, or invalids. Adjust the temperature of the seat for the elderly, those who are incapacitated, or persons with sensitive skin.
- Use this product only for its intended use as described in this manual. Do not use attachments not recommended by Kohler Co.
- Never operate this product if it has a damaged cord or plug, if it is not working properly, if it has been dropped, damaged, or dropped into water. Return the product for examination and repair.
- Keep the cord away from heated surfaces.
- Never block the air openings of the product. Keep the air openings free of lint, hair, and the like.
- Never use while sleeping or drowsy.
- Never drop or insert any object into any opening or hose.
- Do not use outdoors or operate where aerosol spray products are being used or where oxygen is being administered.
- Connect this product to a properly grounded outlet only. See the "Grounding instructions" section.
- This product conforms to applicable provisions of US 21 CFR, Chapter 1, Subchapter J, Radiological Health.

## SAVE THESE INSTRUCTIONS

### Grounding Instructions

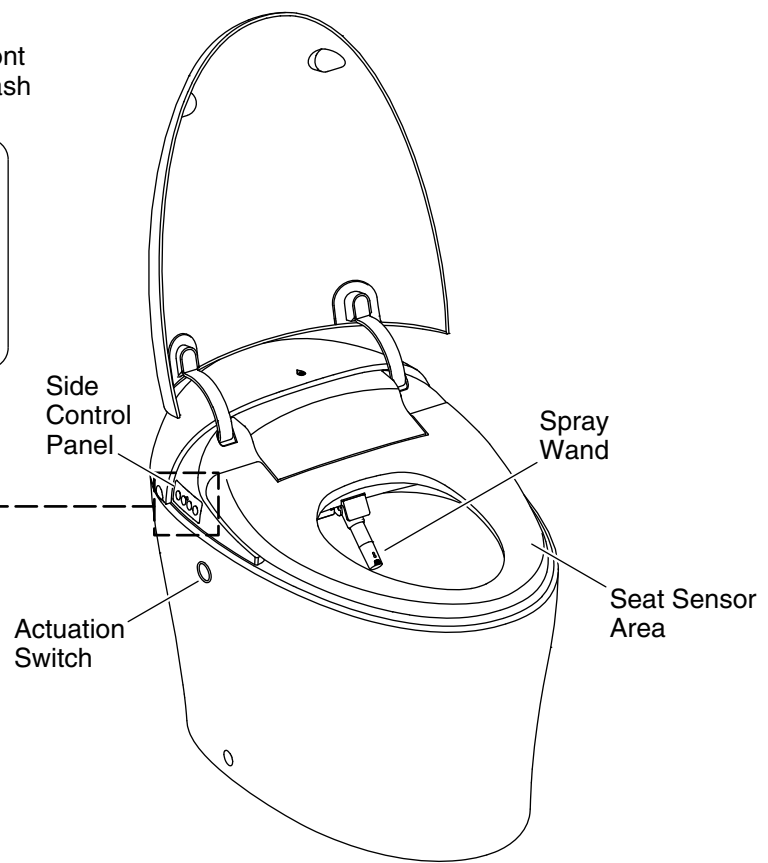
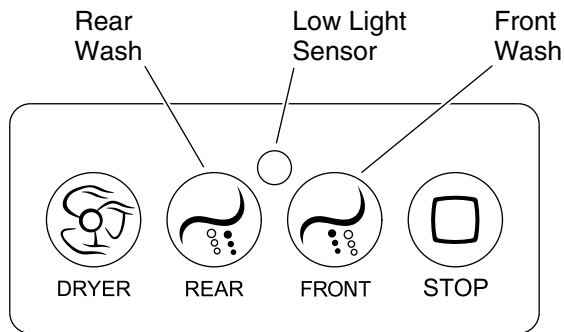
## IMPORTANT SAFEGUARDS (cont.)

- This product should be grounded. In the event of an electrical short circuit, grounding reduces the risk of electric shock by providing an escape wire for the electric current. This product is equipped with a cord having a grounding wire with a grounding plug. The plug must be plugged into an outlet that is properly installed and grounded.



**DANGER: Risk of electric shock.** Improper use of the grounding plug can result in a risk of electric shock.

- If repair or replacement of the cord or plug is necessary, do not connect the grounding wire to either flat blade terminal. The wire with insulation having an outer surface that is green with or without yellow stripes is the grounding wire.
- Check with a qualified electrician or service personnel if the grounding instructions are not completely understood, or if in doubt whether the product is properly grounded.
- Do not use an extension cord with this product.



## Manual Operation

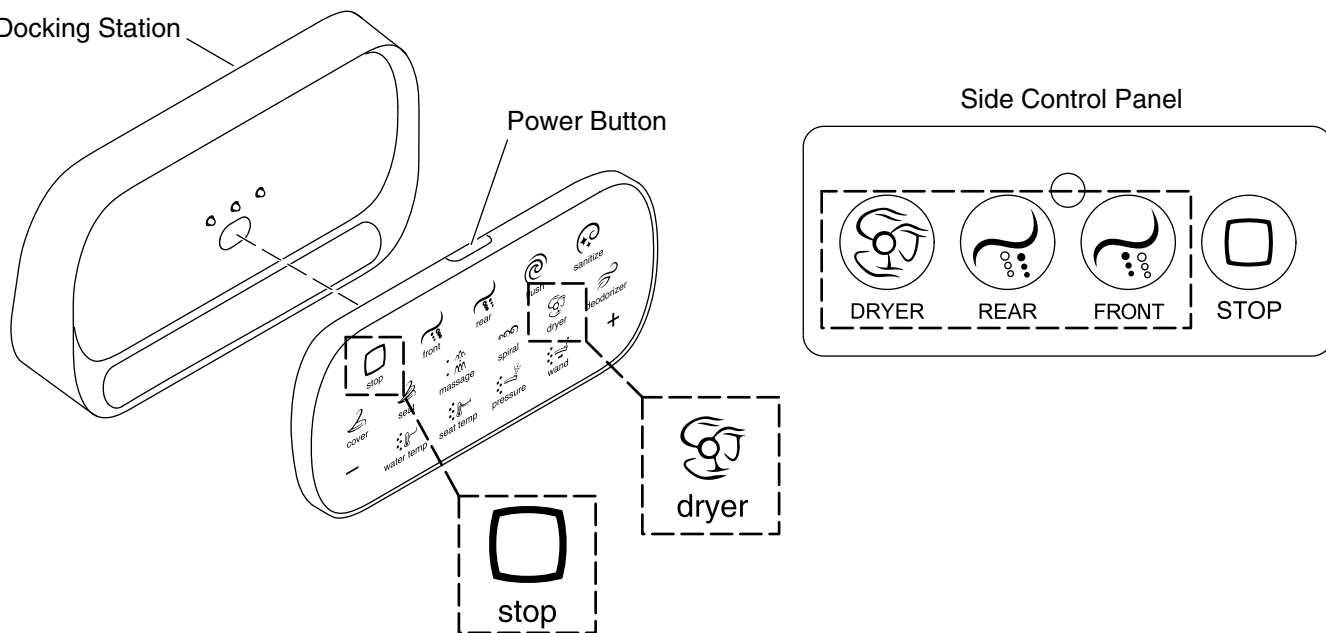
**NOTE:** When the cleansing wash features are activated from the side control panel, they will default to the middle temperature, pressure, and wand position settings.

- **"DRYER"** - Press the icon to activate the dryer. Press again to stop the dryer.
- **"REAR"** - Press the icon to activate rear wash. Press again to stop rear wash.
- **"FRONT"** - Press the icon to activate front wash. Press again to stop front wash.
- **"STOP"** - Press the icon to stop an activated feature.
- **Flush** - Press the actuation button to manually flush the toilet. To flush during a power outage, pour a 2-gallon bucket of water into the bowl.
- **Low Light Sensor** - Senses low light levels and turns the nightlight on when the automatic feature is enabled. To enable or disable the nightlight, refer to the "Enable/Disable Automatic Features" section.
- **Standby Mode** - To conserve energy, press and hold the "STOP" icon until a beep is heard. The automatic cover open/close feature, remote control functionality, and heated seat options are deactivated. Press any icon on the side control to reactivate the features.

Docking Station

Power Button

Side Control Panel



## Remote Control - Setup

**NOTE:** The remote control must be charged to operate. The "stop" icon will blink when the remote needs to be charged.

### Charging the Remote

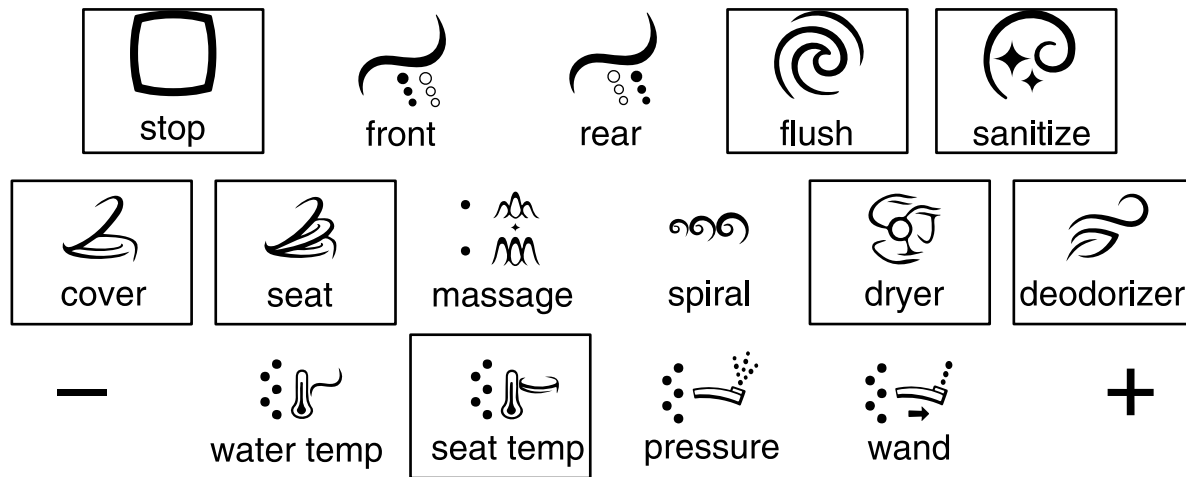
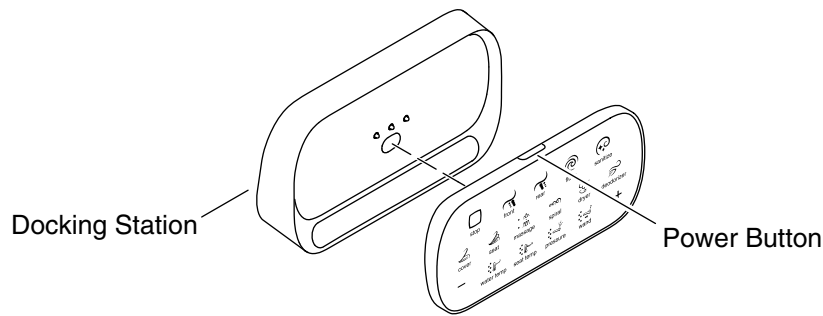
- Verify that the docking station has batteries installed. Refer to the "Replacing the Batteries" section.
- Place the remote control on docking station.
- The remote is fully charged when the "stop" icon stops blinking.

### Pairing to the Toilet

**IMPORTANT!** The remote control cannot be paired to the toilet while the toilet is occupied.

**NOTE:** The icons on the bottom row of the remote control will flash when the remote is not paired or is out of range of the toilet.

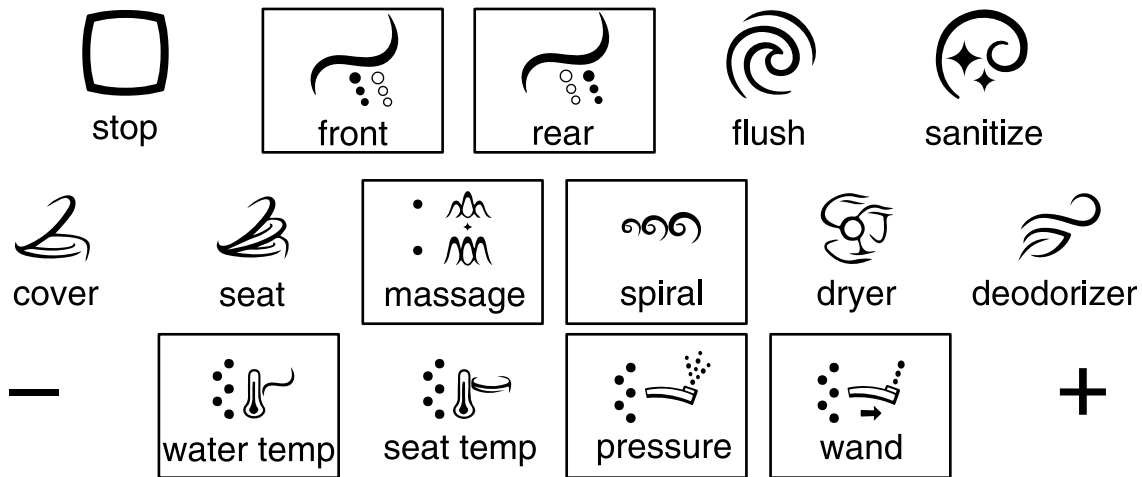
- Press the power button to turn on the remote control.
- Move the remote control within close proximity to the toilet. The bottom row of icons should be flashing.
- Press and hold the "DRYER" icon on the side control panel. Release the icon after the nightlight blinks three times.
- Press and hold the "dryer" icon on the remote control.
- While holding the "dryer" icon on the remote control, press and hold the "REAR" and "FRONT" icons simultaneously on the side control.
- When pairing is successful, the bottom icons will stop flashing.



## Remote Control - General Features

**IMPORTANT!** To activate features using the remote control, the remote must be paired with the toilet. Refer to the "Remote Control – Setup" section.

- **Power** - Press the power button to turn the remote control on or off.
- **Stop** - Press the "stop" icon to stop an activated cleansing wash feature. Press and hold to turn off the remote control.
- **Flush** - Press the "flush" icon to flush the toilet.
- **UV Disinfection** - With the seat unoccupied, press the "sanitize" icon to initiate wand disinfection.
- **Seat Cover** - With the seat unoccupied, press this "cover" icon to open or close the cover.
- **Seat** - With the seat unoccupied, press the "seat" icon to open or close the seat.
- **Dryer** - While seated, press the "dryer" icon to activate air flow. This feature will stop automatically after 4 minutes or can be stopped by pressing the "stop" icon.
- **Deodorizer** - While seated, press the "deodorizer" icon once to activate the deodorizer. Press a second time to stop the feature.
- **Heated Seat Temperature** - While seated, press the "seat temp" icon, then press the "+" or "-" icon to increase or decrease the temperature. The dots to the left of the icon indicate the temperature setting. There are five settings.

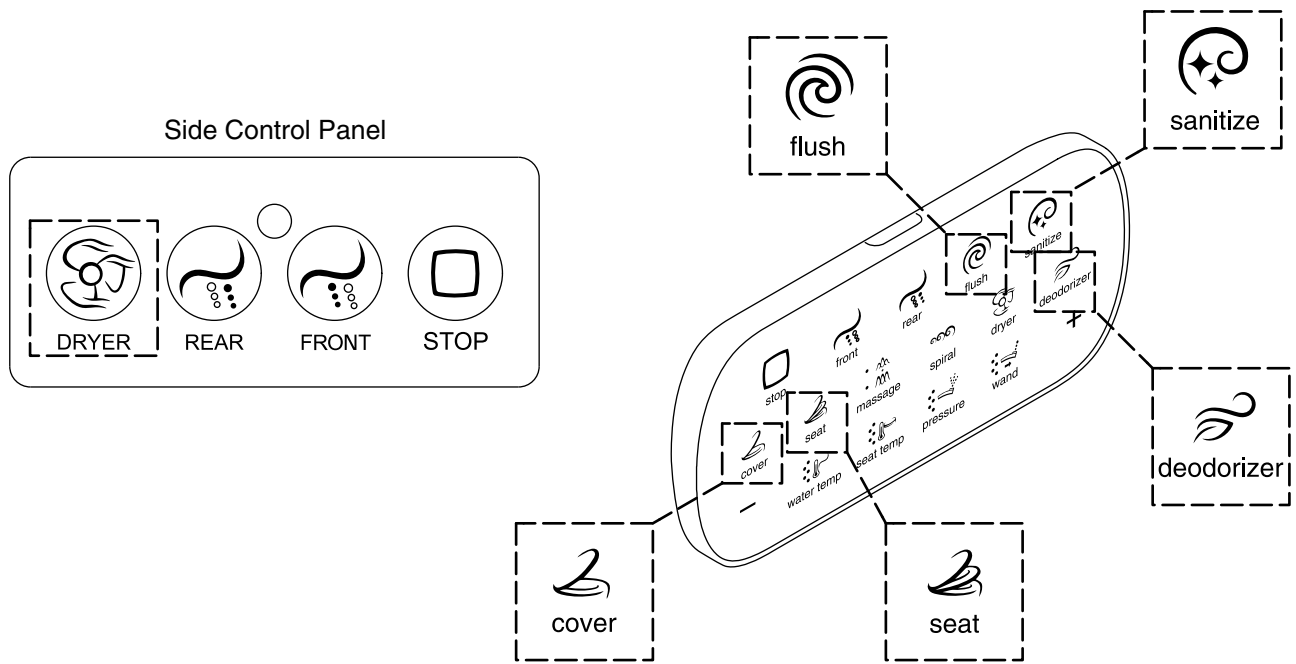


## Remote Control – Cleansing Features

**IMPORTANT!** To activate features using the remote control, the remote must be paired with the toilet. Refer to the "Remote Control – Setup" section.

**NOTE:** Water temperature, water pressure, wand position, and massage action are adjustable while the front or rear wash is in use. The dots to the left of the icons indicate the current setting.

- **Front Wash** - Press the "front" icon to activate water spray from the front of the wand. Washing will stop automatically after 5 minutes or can be stopped by pressing the "stop" icon.
- **Rear Wash** - Press the "rear" icon to activate water spray from the back of the wand. Washing will stop automatically after 5 minutes or can be stopped by pressing the "stop" icon.
- **Massage** - Press the "massage" icon to activate oscillating action. Press again to switch to pulsating action. Press a third time for simultaneous oscillating and pulsating actions. Press a fourth time to stop the action.
- **Spiral** - Press the "spiral" icon to activate spiral action. This feature is only available while the rear wash is in use. Press the icon again to stop the action.
- **Water Temperature** - Press the "water temp" icon, then press the "+" or "-" icon to increase or decrease the temperature through five settings.
- **Water Pressure** - Press the "pressure" icon, then press the "+" or "-" icon to increase or decrease water pressure through five settings.
- **Wand Position** - Press the "wand" icon, then press the "+" or "-" icon to adjust the wand position through five settings.



## Enable/Disable Automatic Features

**NOTE:** Automatic features come enabled from the factory.

### Automatic Flush

- When enabled, the toilet will automatically flush 60 seconds after the user stands up, lowers the seat, or leaves the area.
- Press and hold the "DRYER" icon on the side control panel until the nightlight blinks three times.
- Press the "flush" icon on the remote control. The nightlight will blink.
- A short beep indicates that the feature is enabled. A long beep indicates that the feature is disabled.

### UV Disinfection

- When enabled, ultra violet rays and water sterilize the spray wand daily. This feature only operates when the seat is closed.
- Press and hold the "DRYER" icon on the side control panel until the nightlight blinks three times.
- Press the "sanitize" icon on the remote control. The nightlight will blink.
- A short beep indicates that the feature is enabled. A long beep indicates that the feature is disabled.

### Cover Open/Close

- When enabled, the seat cover automatically opens when the toilet is approached. The seat and seat cover will automatically close 3 minutes after the toilet has been used.
- Press and hold the "DRYER" icon on the side control panel until the nightlight blinks three times.
- Press the "cover" icon on the remote control. The nightlight blinks once when the sensor is set to short distance, twice for middistance, and three times for long distance.
- A short beep indicates that the feature is enabled. A long beep indicates that the feature is disabled.

### Nightlight

- When enabled, the nightlight automatically turns on in low lighting conditions.
- Press and hold the "DRYER" icon on the side control panel until the nightlight blinks three times.



### Enable/Disable Automatic Features (cont.)

- Press the "seat" icon on the remote control. The nightlight will blink.
- A short beep indicates that the feature is enabled. A long beep indicates that the feature is disabled.

### Deodorizer

- When enabled, the deodorizer automatically activates while the toilet is in use.
- Press and hold the "DRYER" icon on the side control panel until the nightlight blinks three times.
- Press the "deodorizer" icon on the remote control. The nightlight will blink.
- A short beep indicates that the feature is enabled. A long beep indicates that the feature is disabled.

### Energy Save Mode

- When enabled, the toilet conserves energy by reducing the heated seat temperature when the toilet is not in use.
- Press and hold the "DRYER" icon on the side control panel until the nightlight blinks three times.
- Press the "seat temp" icon on the remote control. The nightlight will blink.
- A short beep indicates that the feature is enabled. A long beep indicates that the feature is disabled.

### Toilet Premist

- When enabled, the toilet will automatically premist the bowl surface with a spray of water when the lid auto opens or when the user presses the "SANITIZE" button on the remote control. The feature will automatically end when the seat ring is opened or the user sits on the seat.
- Press and hold the "DRYER" icon on the side control panel until the nightlight blinks three times.
- Press the "REAR" button on the side control on the toilet. The nightlight will blink.
- A short beep indicates that the feature is enabled. A long beep indicates that the feature is disabled.

## Care and Cleaning



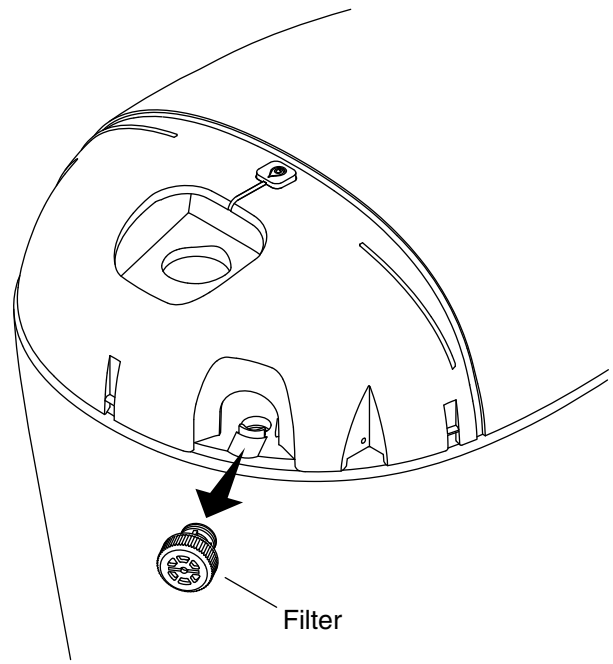
**WARNING: Risk of property or product damage.** Do not use in-tank cleaners in your toilet. Products containing chlorine (calcium hypochlorite) can seriously damage fittings in the tank. This damage can cause leakage and property damage.

Kohler Co. shall not be responsible or liable for any tank fitting damage caused by the use of cleaners containing chlorine (calcium hypochlorite).

For best results, keep the following in mind when caring for your KOHLER product:

- Always test your cleaning solution on an inconspicuous area before applying to the entire surface.
- Wipe surfaces clean and rinse completely with water immediately after applying cleaner. Rinse and dry any overspray that lands on nearby surfaces.
- Do not allow cleaners to soak on surfaces.
- Use a soft, dampened sponge or cloth. Never use an abrasive material such as a brush or scouring pad to clean surfaces.
- **For Artist Edition Toilets:** Treat your decorative product just as you would treat your fine china. DO NOT use bristle brushes or abrasive-backed sponges. They will scratch decorative surfaces. Use only warm water to clean. Dry with a cotton cloth or soft sponge.

For detailed cleaning information and products to consider, visit [kohler.com/clean](http://kohler.com/clean). To order Care & Cleaning information, call 1-800-456-4537.



## Servicing the Wand and Filter

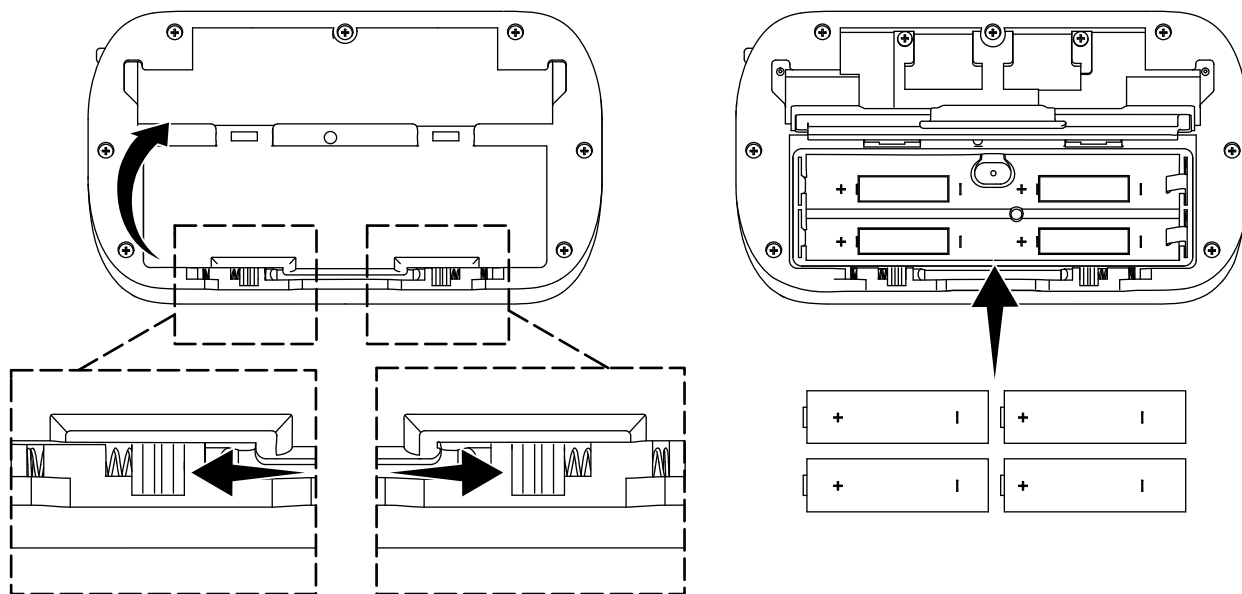
### Cleaning the Spray Wand

- On the side control panel, press and hold the "FRONT" or "REAR" button to extend the wand forward.
- Clean the spray wand with a soft-bristled brush and hot water.
- Press and hold the "STOP" icon to retract the wand.

### Cleaning or Replacing the Filter

- Disconnect the power to the toilet.
- Turn off the water by closing the water supply stop.
- Remove the back cover.
- Remove the filter and inspect it for damage.
- If the filter is damaged, replace it.
- If the filter is clogged, remove all debris.
- Install the filter.
- Reinstall the cover.
- Open the supply stop.
- Reconnect the power to the toilet.

### Back of Docking Station



## Replacing the Batteries

**NOTE:** The red light on the docking station will blink when the batteries are low. The "stop" icon on the remote control will blink when it has a low charge and should be returned to the docking station.

- If the remote control is secured to the docking station, remove it and set aside.
- Remove the docking station from the wall by carefully lifting up and out.
- Open the back compartment on the docking station by pushing both tabs outward at the same time.
- Install four AA batteries, oriented as shown in the battery compartment.
- Reinstall the cover.
- Reinstall the docking station on the wall.

## Troubleshooting

**NOTE:** For service parts information, visit the product page at [kohler.com/serviceparts](http://kohler.com/serviceparts).

### Small Children

- The automatic flush and cleansing features are activated by a sensor located under the seat. Small children may not be tall enough to be detected by the sensor.

### General

Symptoms	Probable Causes	Recommended Action
1. The toilet beeps while occupied.	A. The seat has been occupied for an extended period of time.	A. No action required. This is simply an indicator beep.
2. The toilet has no power.	A. The power cord is not connected.	A. Connect the power cord.
	B. The GFCI or RCD is tripped.	B. Reset the GFCI or RCD.
	C. The toilet is in standby mode.	C. Press any icon on the side control panel to reactivate the toilet.
3. The toilet has power but does not flush.	A. No water being supplied to the toilet.	A. Fully open the water supply stop.
	B. The pump connection has not been made properly.	B. Check the pump connection. Reconnect properly.

## Troubleshooting (cont.)

### General

Symptoms	Probable Causes	Recommended Action
	C. The level switch is not properly connected.	C. Check the level switch connection.
	D. The valve inside the toilet is not open.	D. Turn the valve adjustment screw counterclockwise to open the valve. Refer to the Installation Guide.
4. The toilet has power but does not respond.	A. The actuation switch is not properly connected	A. Check the actuation switch connection.
	B. As the toilet is powering off, before the prompt sound has stopped, the power was turned on again.	B. After turning the power off, wait until the prompt sound has ended before turning the power back on.
5. No water sprays from the wand or it has a weak stream when activated.	A. The water supply stop is closed or only partially open.	A. Fully open the water supply stop.
	B. The inlet hose from the water supply stop to the toilet is kinked or looped too tight.	B. Remove the kink in the hose or make the loop wider.
	C. The sensor does not detect the user.	C. Small children may not be detected. Adjust the sitting position. The sensor may have difficulty with fabric or other objects. The sensor is designed to sense skin.
	D. The filter is blocked or damaged.	D. Service the filter. Refer to the "Servicing the Wand and Filter" section.
6. The heated seat is not working.	A. The heated seat is not enabled.	A. Activate the heated seat. Refer to the "Enable/Disable Automatic Features" section.
	B. The temperature setting is too low.	B. Adjust the heated seat temperature using the remote control.
7. Water stops flowing from the spray wand before cleansing is complete.	A. Washing automatically stops 5 minutes after pressing a spray icon.	A. Press the "front" or "rear" icon to restart cleansing.
8. The deodorizer is not working.	A. The deodorizer is not activated.	A. Activate the deodorizer using the remote control.
9. The toilet does not flush automatically.	A. The automatic flush feature is not enabled.	A. Activate automatic flush. Refer to the "Enable/Disable Automatic Features" section.
	B. The sensor does not detect the user.	B. If this issue occurs repeatedly, call the Customer Care Center using the information on the back of this manual.
10. The nightlight does not turn on in low lighting conditions.	A. The nightlight is not enabled.	A. Enable the nightlight. Refer to the "Enable/Disable Automatic Features" section.
	B. The low light sensor is not working.	B1. Clean the light sensor on the side control panel. B2. Call the Customer Care Center using the information on the back of this manual.

## Troubleshooting (cont.)

### Remote Control

Symptoms	Probable Causes	Recommended Action
1. The remote control is not turning on.	A. The batteries are not properly installed.	A. Reinstall the batteries. Refer to the "Replacing the Batteries" section.
	B. The batteries are drained.	B. Replace the batteries. Refer to the "Replacing the Batteries" section.
2. The remote control is not connecting with the toilet. The bottom row of icons is blinking.	A. The remote is too far from the toilet to receive a signal.	A. Move the remote closer to the toilet to regain a connection.
	B. The remote is not paired with the toilet.	B. Pair the remote to the toilet. Refer to the "Remote Control – Setup" section.

## Remote Control Compliance

### FCC ID: N82-KOHLER019, N82-KOHLER020, N82-KOHLER021

IFT: Certification Number RCPKO1215-2233 and RCPKO1215-2234.

This device complies with Part 15 of the FCC Rules. Operation is subject to the following two conditions:

1. This device may not cause harmful interference, and
2. This device must accept any interference received, including interference that may cause undesired operation.

Changes or modifications not expressly approved by the party responsible for compliance could void the user's authority to operate the equipment.

This equipment has been tested and found to comply with the limits for a Class B digital device, pursuant to Part 15 of the FCC Rules. These limits are designed to provide reasonable protection against harmful interference in a residential installation. This equipment generates, uses, and can radiate radio frequency energy and, if not installed and used in accordance with the instructions, may cause harmful interference to radio communications. However, there is no guarantee that interference will not occur in a particular installation. If this equipment does cause harmful interference to radio or television reception, which can be determined by turning the equipment off and on, the user is encouraged to try to correct the interference by one of the following measures:

- Reorient or relocate the receiving antenna.
- Increase the separation between the equipment and receiver.
- Connect the equipment into an outlet on a circuit different from that to which the receiver is connected.
- Consult the dealer or an experienced radio/TV technician for help.

### RF Exposure Warning

This transmitter with its antenna complies with FCC's RF exposure limits for general population/uncontrolled exposure.

This device must not be co-located or operated in conjunction with any other antenna or transmitter.

This device should be operated with a minimum distance of at least 20 cm between the antenna and a person's body.

### CANADA IC: 4554A-KOHLER019, 4554A-KOHLER020, 4554A-KOHLER021

This device complies with Industry Canada licence-exempt RSS standard(s).

Operation is subject to the following two conditions:

1. This device may not cause interference, and

**Remote Control Compliance (cont.)**

2. This device must accept any interference, including interference that may cause undesired operation of the device.

This transmitter with its antenna complies with Industry Canada RF Exposure Limits for General Population/Uncontrolled Exposure.

This Class B digital apparatus complies with Canadian ICES-003.

# Guide du propriétaire

## Toilette avec siège nettoyant

### MESURES DE SÉCURITÉ IMPORTANTES

#### LIRE TOUTES LES INSTRUCTIONS AVANT UTILISATION

Lors de l'utilisation de produits électriques, et en particulier en présence d'enfants, toujours observer les mesures de sécurité fondamentales, notamment :



**DANGER: Risque de choc électrique.** Raccorder uniquement à un circuit protégé par un disjoncteur de fuite de terre (GFCI)\*.



**AVERTISSEMENT: Risque de blessures.** La lumière ultraviolette émise par cette lampe peut créer des lésions oculaires ou de la peau. Éviter toute exposition à une lampe non blindée.



**AVERTISSEMENT: Risque de blessures.** Le remplacement de la lampe UV peut seulement être effectué par un personnel d'entretien qualifié.



**ATTENTION: Risque de blessures.** Ne pas retirer le couvercle de protection de la lampe UV. Les yeux pourraient subir des lésions lorsque l'on regarde directement dans la lumière UV.

Pour le personnel préposé à l'entretien :



**AVERTISSEMENT: Risque de choc électrique.** Déconnecter l'alimentation électrique avant d'effectuer un entretien.



**AVERTISSEMENT: Risque de blessures.** Ce couvercle de lampe UV est doté d'un système de verrouillage conçu pour réduire le risque d'un rayonnement ultraviolet excessif. Ne pas annuler le verrouillage. Réinstaller le verrouillage après l'entretien.

\*Hors de l'Amérique du Nord, ce dispositif peut être connu sous le nom de dispositif à courant résiduel (RCD).



**AVERTISSEMENT: Pour réduire le risque de brûlures, d'électrocution, d'incendie ou de blessures personnelles :**

- Il est nécessaire de superviser de près lorsque ce produit est utilisé par des enfants, des personnes âgées ou invalides, ou lorsqu'il se trouve dans leur proximité. Ajuster la température du siège pour les personnes âgées, les personnes frappées d'incapacité, ou les personnes dont la peau est sensible.
- Utiliser ce produit uniquement pour l'usage auquel il est destiné, tel que décrit dans ce manuel. Ne pas utiliser de dispositifs d'attache non recommandés par Kohler Co.
- Ne jamais faire fonctionner ce produit si son cordon ou sa prise sont endommagés, s'il ne fonctionne pas correctement, s'il est tombé, s'il est endommagé, ou s'il est tombé dans de l'eau. Retourner le produit pour le faire examiner et réparer.
- Tenir le cordon à distance de surfaces chauffées.
- Ne jamais bloquer les ouvertures d'air du produit. S'assurer de l'absence de peluches, de cheveux ou d'autres éléments similaires sur les ouvertures d'air.
- Ne jamais utiliser ce dispositif lorsque l'on dort ou si l'on se sent somnolent.
- Ne jamais faire tomber ou insérer un objet quelconque dans une ouverture ou un tuyau.

## MESURES DE SÉCURITÉ IMPORTANTES (cont.)

- Ne pas utiliser ce dispositif à l'extérieur et ne pas le faire fonctionner en présence de produits aérosols ou si l'on administre de l'oxygène.
- Connecter ce produit à une prise mise à la terre de manière adéquate uniquement. Voir la section « Instructions de mise à la terre ».
- Ce produit est conforme aux conditions applicables de l'US 21 CFR, Chapitre 1, Sous-chapitre J, Hygiène radiologique.

## CONSERVER CES INSTRUCTIONS

### Instructions de mise à la terre

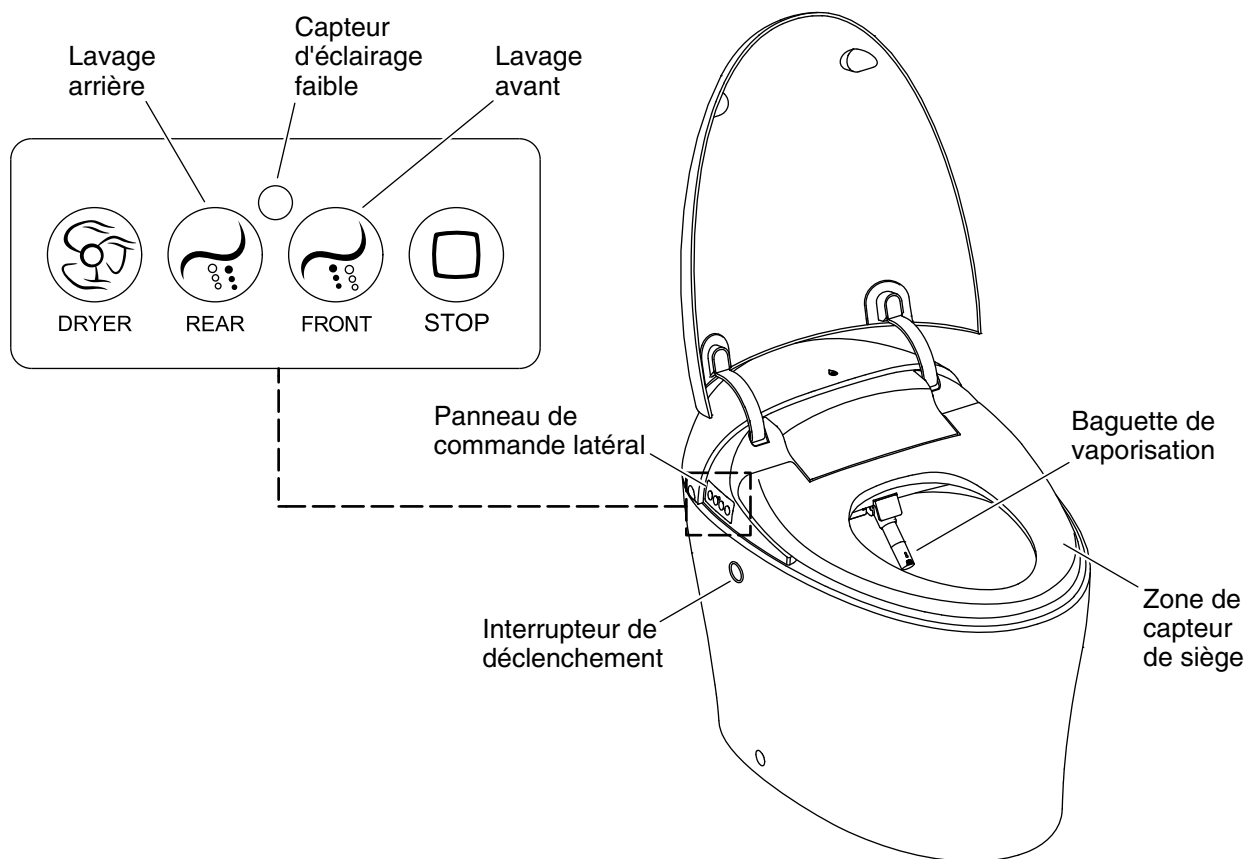
- Ce produit doit être mis à la terre. En cas de court-circuit électrique, la mise à la terre réduit le risque de choc électrique en fournissant un câble d'échappement pour le courant électrique. Ce produit est équipé d'un cordon muni d'un câble de mise à la terre avec une fiche de mise à la terre. Cette fiche doit être branchée dans une prise installée et mise à la terre de manière adéquate.



**DANGER: Risque de choc électrique.** L'utilisation incorrecte de la fiche de mise à la terre peut résulter en risque de choc électrique.

- S'il est nécessaire de remplacer le cordon ou la fiche, ne pas brancher le câble de mise à la terre à l'une des bornes à lame plate. Le câble avec isolation dont l'extérieur est vert avec ou sans rayures jaunes est le câble de mise à la terre.
- Vérifier auprès d'un électricien qualifié ou d'un dépanneur si les instructions de mise à la terre ne sont pas bien comprises ou en cas de doute sur la mise à la terre adéquate du produit.
- Ne pas utiliser de cordon de rallonge avec ce produit.

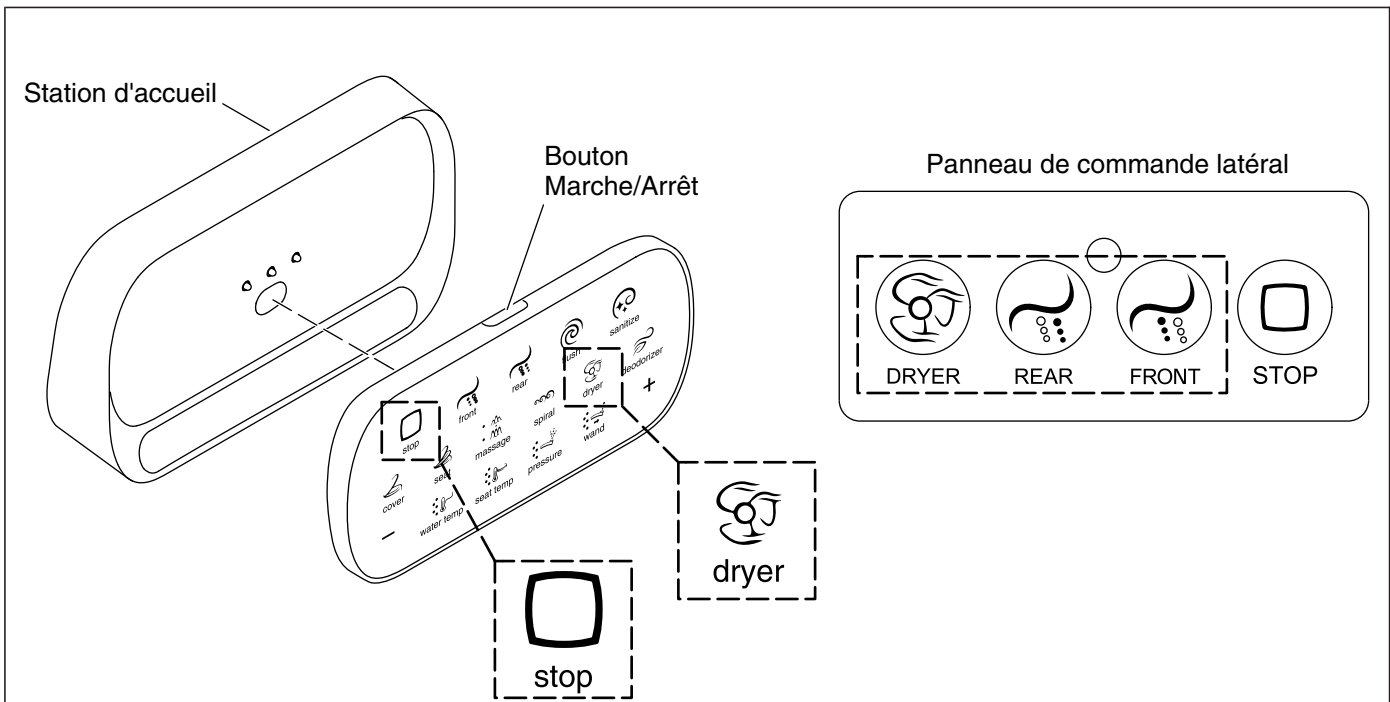




## Fonctionnement manuel

**REMARQUE:** Lorsque les fonctions de lavage et nettoyage sont activées à partir du panneau de commande latéral, elles se mettent par défaut aux réglages moyens de température, de pression et de position de la baguette.

- « **DRYER** » (**séchoir**) - Appuyer sur l'icône pour activer le séchoir. Appuyer de nouveau pour arrêter le séchoir.
- « **REAR** » (**arrière**) - Appuyer sur l'icône pour activer le lavage arrière. Appuyer de nouveau pour arrêter le lavage arrière.
- « **FRONT** » (**avant**) - Appuyer sur l'icône pour activer le nettoyage avant. Appuyer de nouveau pour arrêter le lavage avant.
- « **STOP** » (**arrêter**) - Appuyer sur l'icône pour arrêter une fonction activée.
- **Chasse** - Appuyer sur le bouton de déclenchement pour rincer la toilette manuellement. Pour passer la chasse pendant une panne de courant, verser un seau de 2 gallons d'eau dans la cuvette.
- **Capteur d'éclairage faible** - Détecte les niveaux d'éclairage faible et allume la veilleuse lorsque la fonction automatique est activée. Pour activer ou désactiver la veilleuse, se référer à la section « Activer/Désactiver les fonctions automatiques ».
- **Mode d'attente** - Pour conserver de l'énergie, appuyer et continuer à appuyer sur l'icône « **STOP** » (**arrêt**) jusqu'à ce qu'un bip soit entendu. La fonction d'ouverture/de fermeture automatique du couvercle, la fonctionnalité de télécommande et les options de siège chauffé sont désactivées. Appuyer sur n'importe quelle icône du panneau de commande latéral pour réactiver les fonctions.



## Télécommande - Configuration

**REMARQUE:** La télécommande doit être chargée pour fonctionner. L'icône « **stop** » (**arrêt**) clignotera lorsque la télécommande doit être chargée.

### Chargement de la télécommande

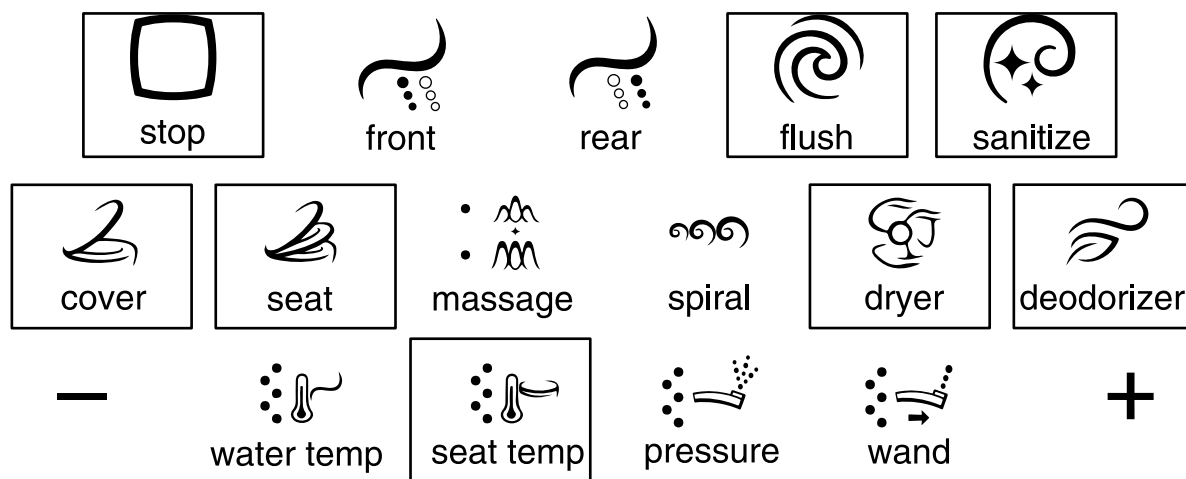
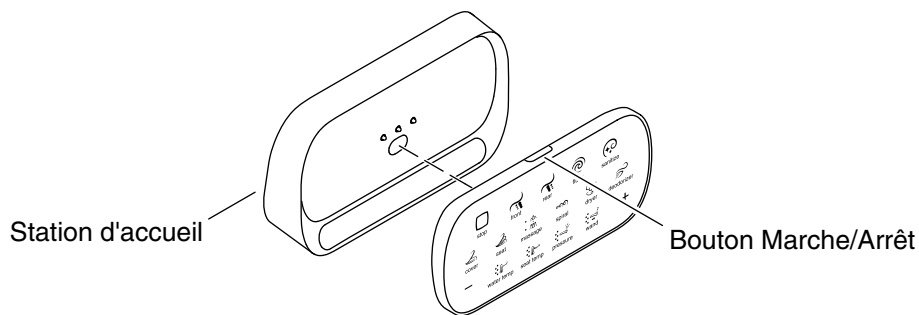
- Vérifier que des piles ont été installées dans la station d'accueil. Se référer à la section « Remplacer les piles ».
- Placer la télécommande sur la station d'accueil.
- La télécommande est entièrement chargée lorsque l'icône « **stop** » (**arrêt**) s'arrête de clignoter.

### Appariement de la toilette

**IMPORTANT!** La télécommande ne peut pas être appariée à la toilette lorsque celle-ci est occupée.

**REMARQUE:** Les icônes qui se trouvent dans la rangée du bas de la télécommande clignoteront lorsque la télécommande n'est pas appariée ou si elle est hors de portée de la toilette.

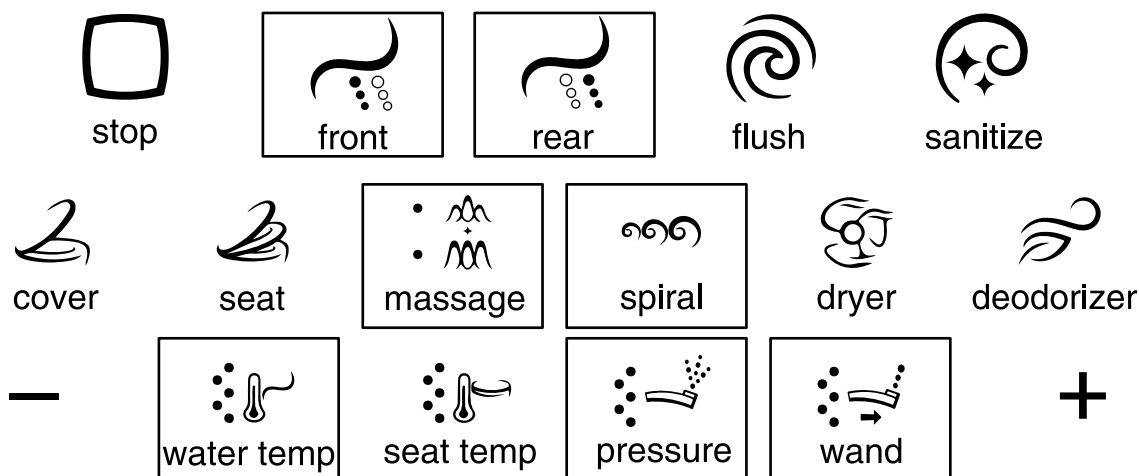
- Appuyer sur le bouton Marche/Arrêt pour activer la télécommande.
- Rapprocher la télécommande dans un rayon proche de la toilette. La rangée d'icônes inférieure devrait clignoter.
- Appuyer et continuer à appuyer sur l'icône « **DRYER** » (**séchoir**) sur le panneau de commande latéral. Relâcher l'icône lorsque la veilleuse clignote trois fois.
- Appuyer et continuer à appuyer sur l'icône « **dryer** » (**séchoir**) sur la télécommande.
- Tout en maintenant l'icône « **dryer** » (**séchoir**) enfoncée sur la télécommande, appuyer simultanément et continuer à appuyer sur les icônes « **REAR** » (**arrière**) et « **FRONT** » (**avant**) sur le panneau de commande latéral.
- Lorsque l'appariement est réussi, les icônes du bas s'arrêtent de clignoter.



## Télécommande - Fonctions générales

**IMPORTANT!** La télécommande doit être appariée avec la toilette pour que les fonctions puissent être activées à l'aide de la télécommande. Se référer à la section « Télécommande – Configuration ».

- **Marche/Arrêt** - Appuyer sur le bouton Marche/Arrêt pour activer ou désactiver la télécommande.
- **Arrêt** - Appuyer sur l'icône « **stop** » (**arrêter**) pour activer une fonction de lavage et nettoyage activée. Appuyer et continuer à appuyer pour éteindre la télécommande.
- **Chasse** - Appuyer sur l'icône « **flush** » (**chasse**) pour rincer la toilette.
- **Désinfection par UV** - Avec le siège non occupé, appuyer sur l'icône « **sanitize** » (**désinfecter**) pour lancer la désinfection de la baguette.
- **Couvercle de siège** - Avec le siège non occupé, Appuyer sur l'icône « **cover** » (**couvercle**) pour ouvrir ou fermer le couvercle.
- **Siège** - Avec le siège non occupé, appuyer sur l'icône « **seat** » (**siège**) pour ouvrir ou fermer le siège.
- **Séchoir** - Tout en étant assis, appuyer sur l'icône « **dryer** » (**séchoir**) pour activer le débit d'air. Cette fonction s'arrête automatiquement au bout de 4 minutes, ou elle peut être arrêtée en appuyant sur l'icône « **stop** » (**arrêt**).
- **Désodorisant** - Tout en étant assis, appuyer sur l'icône « **deodorizer** » (**désodorisant**) pour activer le désodorisant. Appuyer une deuxième fois pour arrêter la fonction.
- **Température de siège chauffé** - Tout en étant assis, appuyer sur l'icône « **seat temp (temp siège)** », puis appuyer sur le « + » ou sur l'icône « - » pour augmenter ou diminuer la température. Les points situés à gauche de l'icône indiquent le réglage de la température. Cinq réglages sont possibles.

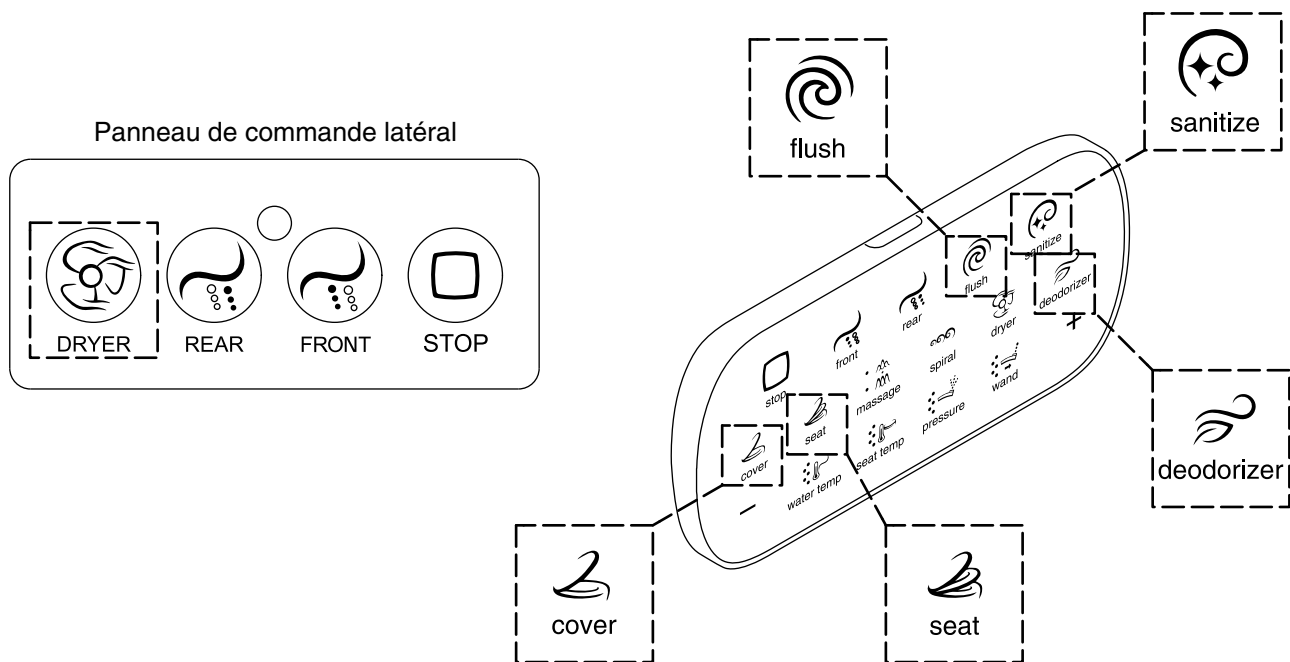


## Télécommande – Fonctions de nettoyage

**IMPORTANT!** La télécommande doit être appariée avec la toilette pour que les fonctions puissent être activées à l'aide de la télécommande. Se référer à la section « Télécommande – Configuration ».

**REMARQUE:** La température de l'eau, la pression de l'eau, la position de la baguette, et l'action de massage sont réglables pendant que le lavage avant ou arrière est en cours d'utilisation. Les points situés à gauche des icônes indiquent le réglage actuel.

- **Lavage avant** - Appuyer sur l'icône « **front** » (**avant**) pour activer la vaporisation d'eau à partir de l'avant de la baguette. Le lavage s'arrête automatiquement au bout de 5 minutes, ou il peut être arrêté en appuyant sur l'icône « **stop** » (**arrêt**).
- **Lavage arrière** - Appuyer sur l'icône « **rear** » (**arrière**) pour activer la vaporisation d'eau à partir de l'arrière de la baguette. Le lavage s'arrête automatiquement au bout de 5 minutes, ou il peut être arrêté en appuyant sur l'icône « **stop** » (**arrêt**).
- **Massage** - Appuyer sur l'icône « **massage** » pour activer l'action d'oscillation. Appuyer de nouveau pour passer à une action de pulsation. Appuyer une troisième fois pour obtenir des actions simultanées d'oscillation et de pulsation. Appuyer sur l'icône une quatrième fois pour arrêter l'action.
- **Spiral** - Appuyer sur l'icône « **spiral** » (**spirale**) pour activer l'action de spirale. Cette fonction est seulement disponible pendant que le lavage arrière est en cours d'utilisation. Appuyer de nouveau sur l'icône pour arrêter l'action.
- **Température de l'eau** - Appuyer sur l'icône « **water temp** » (**temp eau**), puis appuyer sur le « + » ou sur l'icône « - » pour augmenter ou diminuer la température en passant par cinq réglages.
- **Pression de l'eau** - Appuyer sur l'icône « **pressure** » (**pression**), puis appuyer sur le « + » ou sur l'icône « - » pour augmenter ou diminuer la pression de l'eau en passant par cinq réglages.
- **Position de la baguette** - Appuyer sur l'icône « **wand** » (**baguette**), puis appuyer sur le « + » ou sur l'icône « - » pour régler la position de la baguette au moyen de cinq réglages.



## Activer/désactiver les fonctions automatiques

**REMARQUE:** Les fonctions automatiques sont activées au départ d'usine.

### Chasse automatique

- Lorsque cette fonction est activée, la chasse de la toilette est passée automatiquement 60 secondes après que l'utilisateur se soit levé, abaisse le siège, ou quitte la zone.
- Appuyer et continuer à appuyer sur l'icône « **DRYER** » (**séchoir**) sur le panneau de commande latéral jusqu'à ce que la veilleuse clignote trois fois.
- Appuyer sur l'icône « **flush** » (**chasse**) de la télécommande. La veilleuse clignotera.
- Un bip bref indiquera que la fonction est activée. Un bip long indique que le désodorisant est désactivé.

### Désinfection UV

- Lorsque cette fonction est activée, les rayons ultraviolets et l'eau stérilisent la baguette de vaporisation quotidiennement. Cette fonction fonctionne seulement lorsque le siège est fermé.
- Appuyer et continuer à appuyer sur l'icône « **DRYER** » (**séchoir**) sur le panneau de commande latéral jusqu'à ce que la veilleuse clignote trois fois.
- Appuyer sur l'icône « **sanitize** » (**désinfecter**) de la télécommande. La veilleuse clignotera.
- Un bip bref indiquera que la fonction est activée. Un bip long indique que le désodorisant est désactivé.

### Ouverture/Fermeture de couvercle

- Si cette fonction est activée, le couvercle du siège s'ouvre automatiquement lorsque l'on s'approche de la toilette. Le siège et le couvercle de siège se ferment automatiquement 3 minutes après utilisation de la toilette.
- Appuyer et continuer à appuyer sur l'icône « **DRYER** » (**séchoir**) sur le panneau de commande latéral jusqu'à ce que la veilleuse clignote trois fois.
- Appuyer sur l'icône « **cover** » (**couvercle**) de la télécommande. La veilleuse clignote une fois lorsque le capteur est configuré pour une distance courte; il clignote deux fois pour une mi-distance, et trois fois pour une longue distance.

## Activer/désactiver les fonctions automatiques (cont.)

- Un bip bref indiquera que la fonction est activée. Un bip long indique que le désodorisant est désactivé.

### Veilleuse

- Lorsque cette fonction est activée, la veilleuse s'allume automatiquement dans des conditions d'éclairage faible.
- Appuyer et continuer à appuyer sur l'icône « **DRYER** » (**séchoir**) sur le panneau de commande latéral jusqu'à ce que la veilleuse clignote trois fois.
- Appuyer sur l'icône « **seat** » (**siège**) de la télécommande. La veilleuse clignotera.
- Un bip bref indiquera que la fonction est activée. Un bip long indique que le désodorisant est désactivé.

### Désodorisant

- Lorsqu'il est activé, le désodorisant est activé alors que la toilette est en cours d'utilisation.
- Appuyer et continuer à appuyer sur l'icône « **DRYER** » (**séchoir**) sur le panneau de commande latéral jusqu'à ce que la veilleuse clignote trois fois.
- Appuyer sur l'icône « **deodorizer** » (**désodorisant**) de la télécommande. La veilleuse clignotera.
- Un bip bref indiquera que la fonction est activée. Un bip long indique que le désodorisant est désactivé.

### Mode d'économie d'énergie

- Lorsque ce mode est activé, la toilette conserve de l'énergie en réduisant la température du siège chauffé lorsque la toilette n'est pas utilisée.
- Appuyer et continuer à appuyer sur l'icône « **DRYER** » (**séchoir**) sur le panneau de commande latéral jusqu'à ce que la veilleuse clignote trois fois.
- Appuyer sur l'icône « **seat temp** » (**temp de siège**) de la télécommande. La veilleuse clignotera.
- Un bip bref indiquera que la fonction est activée. Un bip long indique que le désodorisant est désactivé.

### Prépulvérisation de la toilette

- Lorsque cette fonction est activée, la toilette effectue automatiquement une prépulvérisation de la surface de la cuvette avec une vaporisation d'eau lorsque le couvercle s'ouvre automatiquement ou lorsque l'utilisateur appuie sur le bouton « **SANITIZE** » (**désinfecter**) sur la télécommande. La fonction s'arrête automatiquement lorsque la lunette du siège est ouverte ou lorsque l'utilisateur s'assied sur le siège.
- Appuyer et continuer à appuyer sur l'icône « **DRYER** » (**séchoir**) sur le panneau de commande latéral jusqu'à ce que la veilleuse clignote trois fois.
- Appuyer sur le bouton « **REAR** » (**arrière**) sur la commande latérale se trouvant sur la toilette. La veilleuse clignotera.
- Un bip bref indiquera que la fonction est activée. Un bip long indique que le désodorisant est désactivé.

## Entretien et nettoyage



**AVERTISSEMENT: Risque de dommages matériels ou d'endommagement du produit.** Ne pas utiliser de détergents faits pour le réservoir dans la toilette. Les produits contenant du chlore (hypochlorite de calcium) peuvent sérieusement endommager les raccords du réservoir. Cela peut créer des fuites et des dommages matériels.

La société Kohler Co. décline toute responsabilité et ne pourra être responsable pour des dommages de

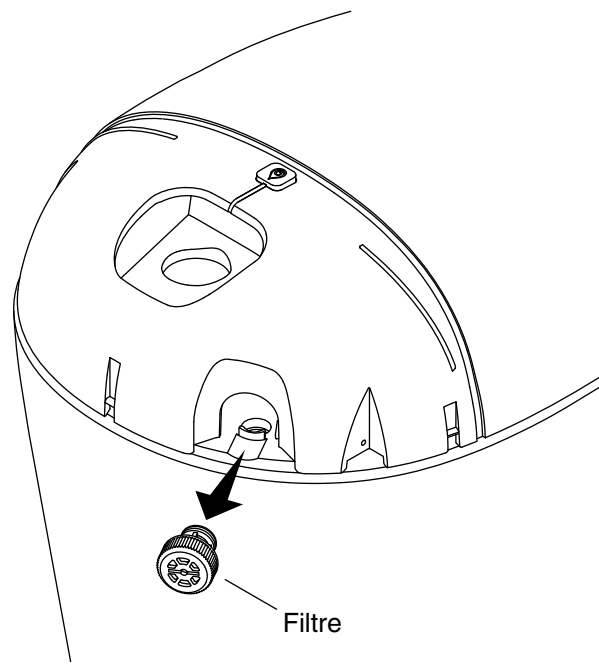
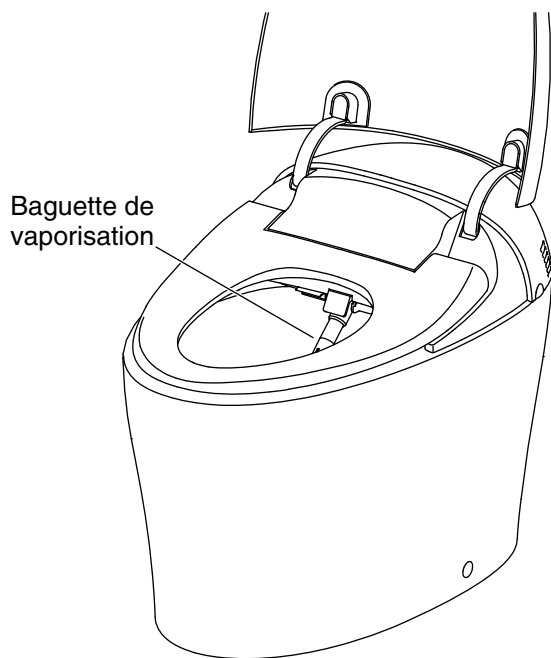
## Entretien et nettoyage (cont.)

raccords de réservoir dus à l'utilisation de nettoyeurs contenant du chlore (hypochlorite de calcium).

Pour obtenir les meilleurs résultats possibles, prendre ce qui suit en considération lors de l'entretien de votre produit KOHLER :

- Toujours tester la solution de nettoyage sur une surface non visible avant de l'appliquer sur l'ensemble de la surface.
- Essuyer les surfaces et rincer complètement avec de l'eau immédiatement après l'application du nettoyeur. Rincer et sécher tout éclaboussement sur les surfaces avoisinantes.
- Ne pas laisser les nettoyeurs tremper sur les surfaces.
- Utiliser une éponge ou un chiffon doux et humide. Ne jamais utiliser de matériau abrasif comme une brosse ou une éponge à récuser pour nettoyer les surfaces.
- **Pour les toilettes Artist Edition :** Traiter le produit décoratif comme s'il s'agissait d'une porcelaine fine. NE PAS utiliser de brosses en soies ni d'éponges abrasives. Cela rayerait les surfaces décoratives. Utiliser uniquement de l'eau chaude pour le nettoyage. Sécher avec un chiffon en coton ou une éponge douce.

Pour obtenir des renseignements détaillés sur le nettoyage et les produits à considérer, consulter le site [kohler.com/clean](http://kohler.com/clean). Pour commander des renseignements sur le nettoyage, appeler le 1-800-456-4537.



## Entretien de la baguette et du filtre

### Nettoyage de la baguette de vaporisation

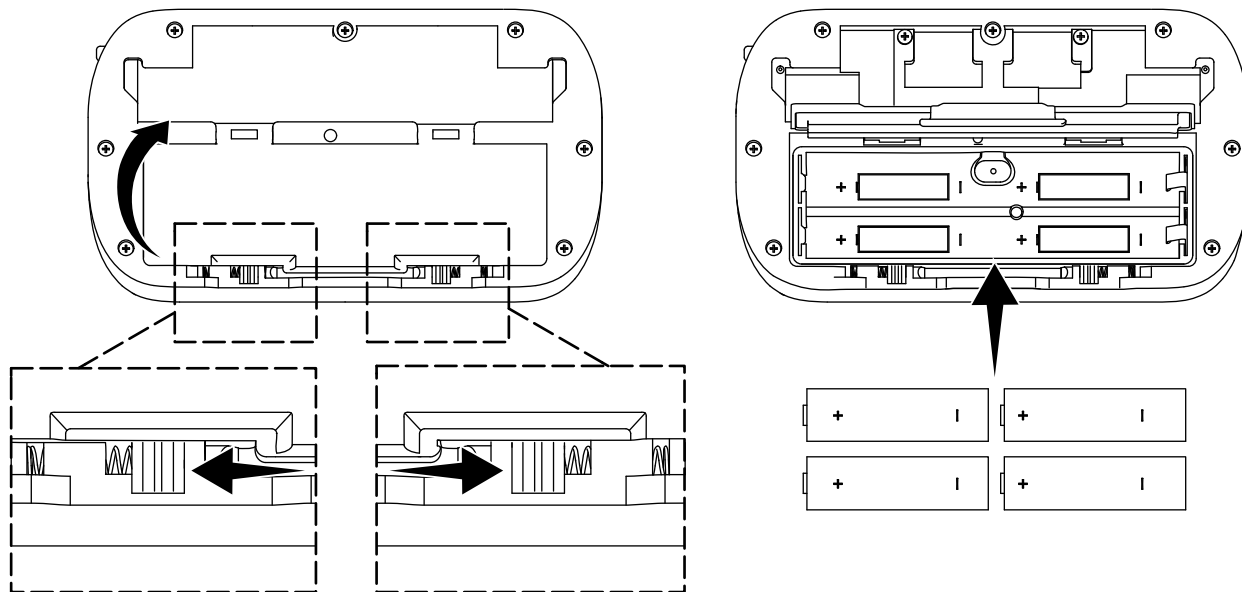
- Sur le panneau de commande latéral, appuyer et continuer à appuyer sur le bouton « **FRONT** » (**avant**) ou « **REAR** » (**arrière**) pour prolonger la baguette vers l'avant.
- Nettoyer la baguette de vaporisation avec une brosse à poils doux et de l'eau chaude.
- Appuyer et continuer à appuyer sur l'icône « **STOP** » (**arrêt**) pour rétracter la baguette.

### Nettoyage ou remplacement du filtre

- Déconnecter l'alimentation électrique de la toilette.
- Couper l'alimentation en eau au niveau du robinet d'arrêt d'alimentation en eau.
- Retirer le couvercle arrière.
- Retirer le filtre et inspecter celui-ci pour y rechercher des dommages.
- Si le filtre est endommagé, le remplacer.
- Si le filtre est obstrué, retirer tous les débris.
- Installer le filtre.
- Réinstaller le couvercle.
- Ouvrir le robinet d'arrêt d'alimentation.
- Reconnecter l'alimentation électrique à la toilette.



### Parte traseira da base



## Remplacement des piles

**REMARQUE:** Le voyant rouge de la station d'accueil clignotera lorsque les piles sont faibles. L'icône « stop » (arrêt) de la télécommande clignotera lorsque sa charge est basse et si elle doit être retournée à la station d'accueil.

- Si la télécommande est sécurisée sur la station d'accueil, la retirer et la mettre de côté.
- Retirer la station d'accueil du mur en la levant avec précaution pour la faire sortir.
- Ouvrir le compartiment arrière sur la station d'accueil en poussant les deux pattes vers l'extérieur en même temps.
- Installer quatre piles AA dirigées comme sur l'illustration dans le compartiment à piles.
- Réinstaller le couvercle.
- Réinstaller la station d'accueil sur le mur.

## Dépannage

**REMARQUE:** Pour tout renseignement sur les pièces de rechange, visiter la page du produit sur le site [kohler.com/serviceparts](http://kohler.com/serviceparts).

### Petits enfants

- Les fonctions de chasse et de nettoyage automatiques sont activées par un capteur situé sous le siège. Les petits enfants pourraient ne pas être assez grands pour être détectés par le capteur.

### Généralités

Symptômes	Causes probables	Action recommandée
1. La toilette émet des bips lorsqu'elle est occupée.	A. Le siège a été occupé sur une période prolongée.	A. Aucune action nécessaire. Il s'agit simplement d'un bip indicateur.
2. La toilette n'a pas d'alimentation électrique.	A. Le cordon d'alimentation n'est pas connecté.	A. Connecter le cordon d'alimentation.
	B. Le dispositif GFCI ou RCD se déclenche.	B. Réinitialiser le GFCI ou le RCD.

<b>Dépannage (cont.)</b>		
<b>Généralités</b>		
<b>Symptômes</b>	<b>Causes probables</b>	<b>Action recommandée</b>
	<b>C.</b> La toilette est en mode d'attente.	<b>C.</b> Appuyer sur n'importe quelle icône du panneau de commande latéral pour réactiver la toilette.
<b>3.</b> La toilette est alimentée mais elle n'est pas rincée.	<b>A.</b> Il n'y a pas de débit d'eau vers la toilette.	<b>A.</b> Ouvrir complètement le robinet d'arrêt d'alimentation en eau.
	<b>B.</b> La connexion de la pompe n'a pas été effectuée correctement.	<b>B.</b> Inspecter la connexion de la pompe. Reconnecter correctement.
	<b>C.</b> L'interrupteur de niveau n'est pas connecté correctement.	<b>C.</b> Inspecter la connexion de l'interrupteur de niveau.
	<b>D.</b> La vanne située à l'intérieur de la toilette n'est pas ouverte.	<b>D.</b> Tourner la vis de réglage de vanne dans le sens antihoraire pour ouvrir la vanne. Se référer au guide d'installation.
<b>4.</b> La toilette est alimentée mais elle ne répond pas.	<b>A.</b> L'interrupteur de déclenchement n'est pas connecté correctement.	<b>A.</b> Inspecter la connexion de l'interrupteur de déclenchement.
	<b>B.</b> Alors que la toilette se met hors tension, avant l'arrêt du son de l'invite, l'alimentation a été remise en marche.	<b>B.</b> Après avoir coupé l'alimentation, attendre que le son de l'invite se soit arrêté avant de remettre en marche.
<b>5.</b> L'eau ne sort pas de la baguette ou le jet est faible lorsqu'il est activé.	<b>A.</b> Le robinet d'arrêt d'alimentation en eau est fermé ou est seulement ouvert partiellement.	<b>A.</b> Ouvrir complètement le robinet d'arrêt d'alimentation en eau.
	<b>B.</b> Le tuyau d'arrivée en provenance du robinet d'arrêt d'alimentation en eau vers la toilette est déformé ou enroulé de manière trop serrée.	<b>B.</b> Supprimer la déformation dans le tuyau ou élargir la boucle.
	<b>C.</b> Le capteur ne détecte pas l'utilisateur.	<b>C.</b> Les petits enfants pourraient ne pas être détectés. Régler la position assise. Le capteur pourrait avoir du mal avec le tissu ou d'autres objets. Le capteur est conçu pour détecter la peau.
	<b>D.</b> Le filtre est bloqué ou endommagé.	<b>D.</b> Entretenir le filtre. Se référer à la section « Entretien de la baguette et du filtre ».
<b>6.</b> Le siège chauffé ne fonctionne pas.	<b>A.</b> Le siège chauffé n'est pas activé.	<b>A.</b> Activer le siège chauffé. Se référer à la section « Activer/Désactiver les fonctions automatiques ».
	<b>B.</b> Le réglage de la température est trop bas.	<b>B.</b> Régler la température du siège chauffé en utilisant la télécommande.
<b>7.</b> L'eau s'arrête de s'écouler de la baguette de vaporisation avant que le nettoyage soit terminé.	<b>A.</b> Le lavage s'arrête automatiquement 5 minutes après un appui sur une icône de vaporisation.	<b>A.</b> Appuyer sur l'icône « front » (avant) ou « rear » (arrière) pour redémarrer le nettoyage.
<b>8.</b> Le désodorisant ne fonctionne pas.	<b>A.</b> Le désodorisant n'est pas activé.	<b>A.</b> Activer le désodorisant en utilisant la télécommande.
<b>9.</b> La toilette ne se rince pas automatiquement.	<b>A.</b> La fonction de chasse automatique n'est pas activée.	<b>A.</b> Activer la chasse automatique. Se référer à la section « Activer/Désactiver les fonctions automatiques ».

## Dépannage (cont.)

### Généralités

Symptômes	Causes probables	Action recommandée
	<b>B.</b> Le capteur ne détecte pas l'utilisateur.	<b>B.</b> Si ce problème se reproduit de manière répétitive, appeler le centre de services à la clientèle en utilisant les renseignements fournis sur la page arrière de ce manuel.
10. La veilleuse ne s'allume pas dans des conditions d'éclairage faible.	<b>A.</b> La veilleuse n'est pas activée.	<b>A.</b> Activer la veilleuse. Se référer à la section « Activer/Désactiver les fonctions automatiques ».
	<b>B.</b> Le capteur d'éclairage faible ne fonctionne pas.	<b>B1.</b> Nettoyer le capteur d'éclairage situé sur le panneau de commande latéral. <b>B2.</b> Appeler le service après-vente en utilisant les renseignements fournis sur la page arrière de ce manuel.

### Télécommande

Symptômes	Causes probables	Action recommandée
1. La télécommande ne se met pas en marche.	<b>A.</b> Les piles ne sont pas installées correctement.	<b>A.</b> Remplacer les piles. Se référer à la section « Remplacer les piles ».
	<b>B.</b> Les piles sont épuisées.	<b>B.</b> Remplacer les piles. Se référer à la section « Remplacer les piles ».
2. La télécommande ne se connecte pas à la toilette. La rangée d'icônes inférieure clignote.	<b>A.</b> La télécommande est trop éloignée de la toilette pour recevoir un signal.	<b>A.</b> Amener la télécommande plus près de la toilette pour regagner la connexion.
	<b>A.</b> La télécommande n'est pas appariée avec la toilette.	<b>B.</b> Appairer la télécommande à la toilette. Se référer à la section « Télécommande – Configuration ».

## Conformité de la télécommande

**ID FCC : N82-KOHLER019, N82-KOHLER020, N82-KOHLER021**

**IFT :** Numéro de certification RCPKO1215-2233 et RCPKO1215-2234.

Cet appareil est conforme à la section 15 des réglementations de la FCC. L'exploitation est autorisée aux deux conditions suivantes :

1. Cet appareil ne doit pas provoquer d'interférences néfastes, et
2. Cet appareil doit tolérer les interférences reçues, y compris celles qui risquent de provoquer un fonctionnement indésirable.

Tous changements ou modifications non expressément approuvés par la partie responsable garantissant la conformité, pourraient annuler le droit à l'utilisateur d'opérer l'équipement.

Cet appareil a été testé et est considéré conforme aux limitations d'un appareil numérique de classe B, selon la section 15 des réglementations FCC. Ces limites sont conçues pour fournir une protection raisonnable contre toute interférence nuisible lors d'une installation résidentielle. Cet appareil génère, utilise et peut émettre une énergie de radiofréquence et, s'il n'est pas installé et utilisé conformément aux instructions, pourrait être la cause d'interférences nuisibles aux communications par radio. Cependant, il n'est pas garanti qu'aucune interférence n'aura lieu dans une installation particulière. Si cet équipement cause des interférences radio nuisibles à la réception de radio ou de télévision, ce qui peut être déterminé en éteignant l'équipement et en le rallumant, l'utilisateur est encouragé à essayer de rectifier cette interférence par l'un des moyens suivants :

- Réorienter ou changer l'emplacement de l'antenne de réception.
- Augmenter la séparation entre l'équipement et le récepteur.

### **Conformité de la télécommande (cont.)**

- Brancher l'équipement sur une prise d'un circuit différent de celui auquel le récepteur est connecté.
- Consulter un revendeur ou un technicien radio/TV expérimenté pour obtenir de l'assistance.

### **Avertissement d'exposition RF**

Cet émetteur et son antenne sont conformes aux limites d'exposition RF de la FCC pour le public général/l'exposition non contrôlée.

Cet appareil ne doit pas être co-localisé ou opéré avec toute autre antenne ou tout autre émetteur.

Ce dispositif doit être utilisé avec une distance minimum de 20 cm au moins entre l'antenne et le corps d'une personne.

### **CANADA IC : 4554A-KOHLER019, 4554A-KOHLER020, 4554A-KOHLER021**

Le présent appareil est conforme aux CNR d'Innovation, Sciences et Développement économique Canada applicables aux appareils radio exempts de licence.

L'exploitation est autorisée aux deux conditions suivantes :

1. L'appareil ne doit pas produire de brouillage, et
2. Cet appareil doit tolérer les interférences reçues, y compris celles qui risquent de provoquer un fonctionnement indésirable.

Cet émetteur et son antenne sont conformes aux limites d'exposition RF d'Industrie Canada pour le public général/l'exposition non contrôlée.

Cet appareillage numérique de classe B est conforme à la norme canadienne NMB-003.

# Guía del propietario

## Inodoro con asiento de limpieza

### ADVERTENCIAS IMPORTANTES DE SEGURIDAD

#### LEA TODAS LAS INSTRUCCIONES ANTES DE USAR

Al usar productos eléctricos, en especial cuando haya niños presentes, siempre cumpla las precauciones básicas de seguridad, como las siguientes:



**PELIGRO: Riesgo de sacudidas eléctricas.** Solamente conecte a un circuito protegido por un interruptor de circuito con pérdida a tierra (GFCI, por sus siglas en inglés)\*.



**ADVERTENCIA: Riesgo de lesiones personales.** Los rayos UV emitidos por esta luz pueden causar lesiones a la piel o a los ojos. Evite quedar expuesto a la lámpara al descubierto.



**ADVERTENCIA: Riesgo de lesiones personales.** Solamente personal capacitado de servicio debe cambiar la lámpara de luz UV.



**PRECAUCIÓN: Riesgo de lesiones personales.** No retire la cubierta protectora de la lámpara de luz UV. Ver la luz UV directamente puede ocasionar daños a los ojos.

Para el personal de servicio:



**ADVERTENCIA: Riesgo de sacudidas eléctricas.** Desconecte el suministro eléctrico antes de dar servicio.



**ADVERTENCIA: Riesgo de lesiones personales.** Esta cubierta de lámpara UV tiene un seguro de bloqueo diseñado para reducir el riesgo de recibir excesiva radiación ultravioleta. No evite el seguro de bloqueo. Vuelva a instalar el seguro de bloqueo después de dar servicio.

\*Fuera de Estados Unidos es posible que este dispositivo se conozca como dispositivo de corriente residual (RCD, por sus siglas en inglés).



**ADVERTENCIA: Para reducir el riesgo de quemaduras, electrocución, incendio o lesiones personales:**

- Es necesario que haya supervisión cuando este producto esté siendo usado cerca de niños, ancianos o inválidos, o por ellos mismos. Ajuste la temperatura del asiento para los ancianos, los discapacitados o las personas con piel sensible.
- Use este producto únicamente con el fin para el que ha sido fabricado, tal como se describe en este manual. No use equipos adicionales que no recomiende Kohler Co.
- No haga funcionar este producto si el enchufe o el cable están dañados, si el equipo no funciona adecuadamente, si se ha dejado caer, si ha sufrido daños, o si ha caído en agua. Devuelva el producto para que sea examinado y reparado.
- Mantenga el cable alejado de superficies calientes.
- Nunca bloquee las aberturas para aire del producto. Evite pelusa, cabello y similares en las aberturas para aire.
- Nunca utilice mientras duerma o esté adormilado.
- No deje caer ni introduzca objetos en ninguna abertura o manguera.

## ADVERTENCIAS IMPORTANTES DE SEGURIDAD (cont.)

- No lo utilice a la intemperie ni en lugares en los que se empleen aerosoles o en los que se administre oxígeno.
- Conecte este producto solamente a un tomacorriente que esté correctamente conectado a tierra. Consulte la sección "Instrucciones de conexión a tierra".
- Este producto cumple las estipulaciones de US 21 CFR, Capítulo 1, Subcapítulo J, Salud Radiológica.

## GUARDE ESTAS INSTRUCCIONES

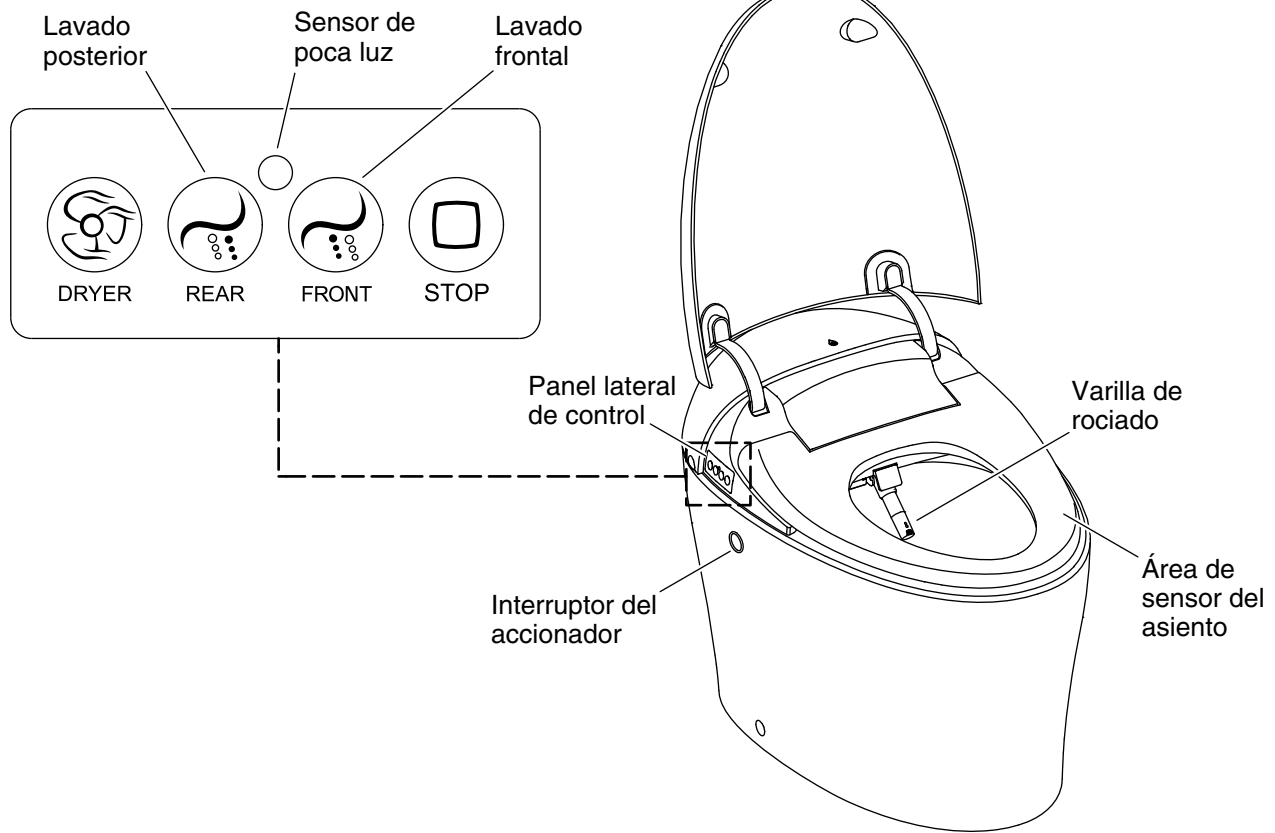
### Instrucciones de conexión a tierra

- Este producto se debe conectar a tierra. En caso de que haya un corto en el circuito eléctrico, la conexión a tierra reduce el riesgo de sacudida eléctrica ya que proporciona un alambre de escape para la corriente eléctrica. Este producto está equipado con un cable que tiene un alambre de conexión a tierra y un enchufe con conexión a tierra. El enchufe debe estar conectado en un tomacorriente bien instalado y conectado a tierra.



**PELIGRO: Riesgo de sacudidas eléctricas.** El uso incorrecto del enchufe con conexión a tierra puede ocasionar un riesgo de sacudida eléctrica.

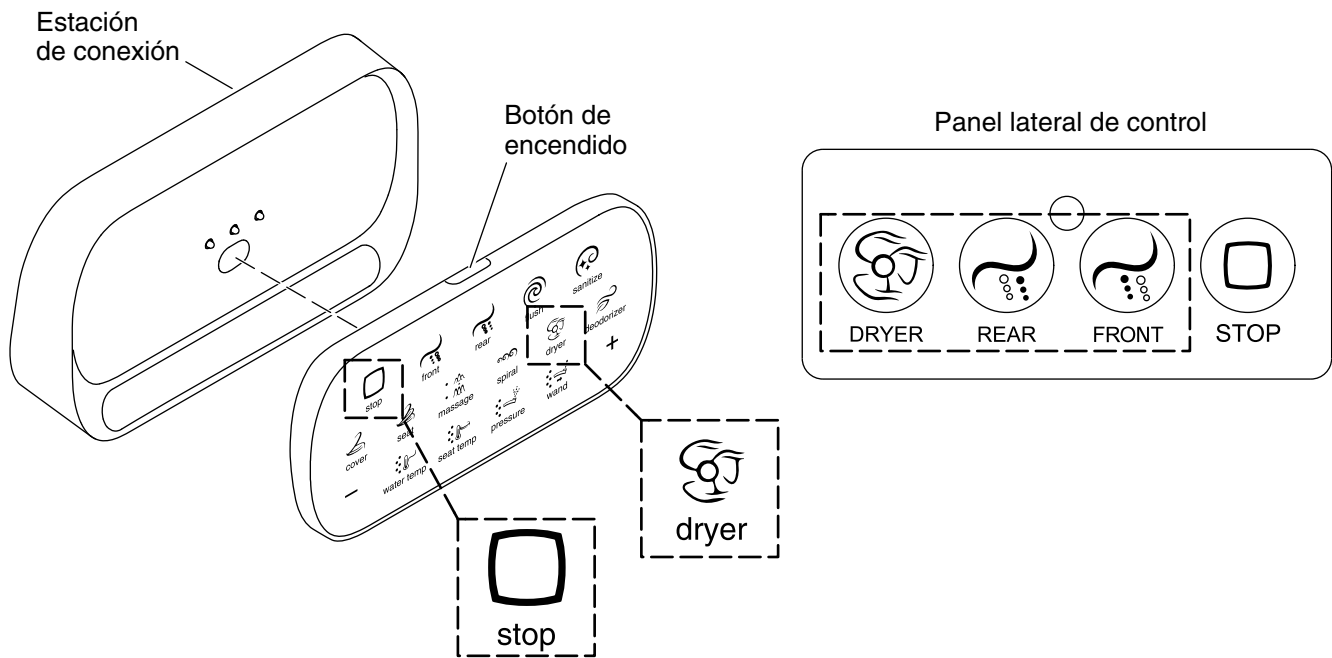
- Si es necesario reparar o cambiar el cable o el enchufe, no conecte el alambre de conexión a tierra a ninguno de los terminales de hoja plana. El alambre con aislamiento con superficie exterior verde, con o sin rayas amarillas, es el alambre de conexión a tierra.
- Si tiene alguna duda de si el producto está bien conectado a tierra o si las instrucciones de conexión a tierra no están completamente claras, solicite la verificación de un electricista calificado o de personal de servicio.
- No utilice un cable de extensión con este producto.



## Funcionamiento manual

**NOTA:** Cuando se activan las funciones de lavado por medio del panel lateral, quedan por diseño en las selecciones intermedias de temperatura, presión y posición de varilla.

- **"DRYER" (secador)** - Oprima el icono para activar el secador. Oprímalo de nuevo para detener el secador.
- **"REAR" (posterior)** - Oprima el icono para activar el lavado posterior. Oprímalo de nuevo para detener el lavado posterior.
- **"FRONT" (frontal)** - Oprima el icono para activar el lavado frontal. Oprímalo de nuevo para detener el lavado frontal.
- **"STOP" (paro)**- Oprima el icono para detener una función que esté activada.
- **Flush (descarga)** - Oprima el botón accionador para descargar manualmente el inodoro. Para descargar el inodoro durante un apagón, vacíe 2 galones de agua en la taza del inodoro.
- **Sensor de poca luz** - Detecta bajo nivel de luz y enciende la luz nocturna cuando esta función automática está habilitada. Para habilitar o inhabilitar la luz nocturna, consulte la sección "Habilitar / Inhabilitar funciones automáticas".
- **Modo de espera** - Para conservar energía, oprima y sostenga oprimido el icono **"STOP"** hasta que escuche un sonido de bip. Se desactivan las opciones de función automática de abrir y cerrar la cubierta, el control remoto y la calefacción del asiento. Oprima cualquier icono en el panel lateral de control para volver a activar las funciones.



## Configuración del control remoto

**NOTA:** El control remoto debe tener carga para poder funcionar. El icono de paro, "stop", parpadea cuando el control remoto debe ser cargado.

### Carga del control remoto

- Verifique que la estación de conexión tenga instaladas las pilas. Consulte la sección "Cambio de pilas".
- Coloque el control remoto en la estación de conexión.
- El control remoto está plenamente cargado cuando el icono de paro, "stop", deja de parpadear.

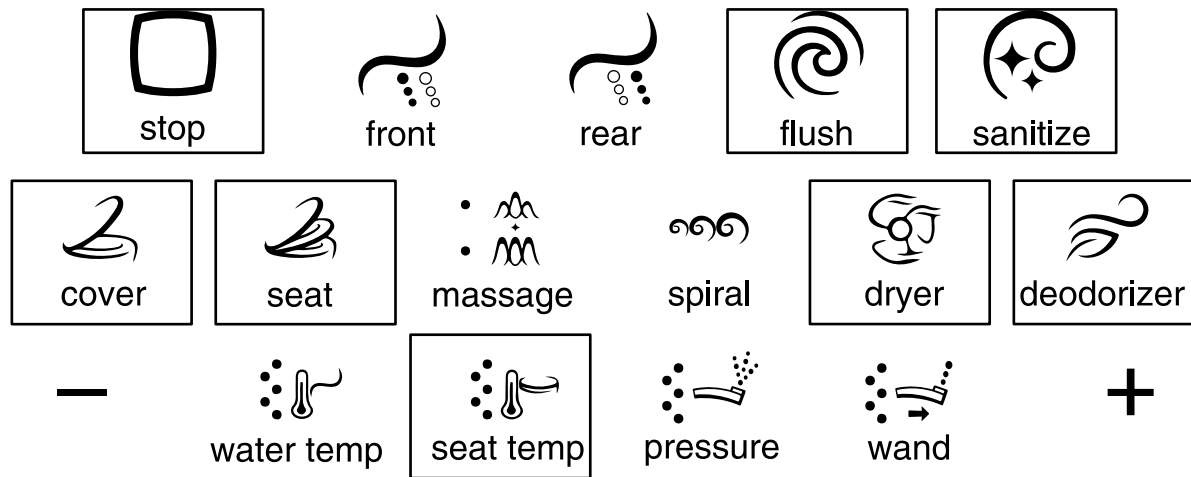
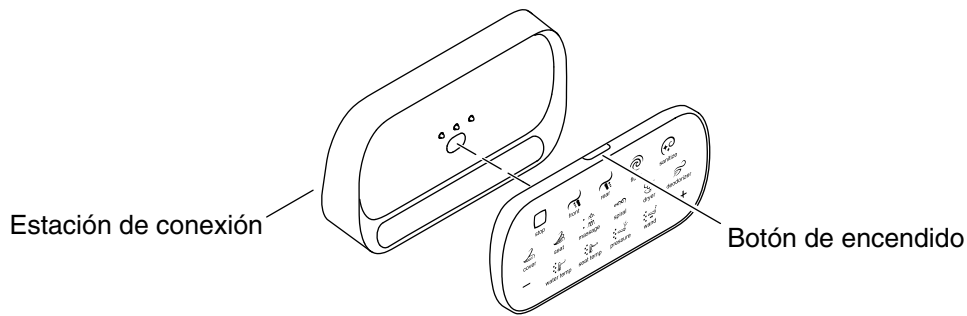
### Para vincular el inodoro

**¡IMPORTANTE!** No es posible vincular el control remoto al inodoro mientras el inodoro está ocupado.

**NOTA:** Los iconos en la hilera inferior del control remoto parpadean cuando el control remoto no está vinculado o cuando está lejos del inodoro.

- Oprima el botón de encendido para encender el control remoto.
- Acerque bastante el control remoto al inodoro. La hilera inferior de iconos debe estar parpadeando.
- Oprima y sostenga oprimido el icono del secador, "DRYER", en el panel lateral de control. Suelte el icono después de que la luz nocturna parpadee 3 veces.
- Oprima y sostenga oprimido el icono del secador, "dryer", en el control remoto.
- Mientras sostiene oprimido el icono del secador, "dryer", en el control remoto, oprima y sostenga oprimido los iconos "REAR" y "FRONT" simultáneamente en el panel lateral de control.
- Cuando se tenga éxito al vincular, los iconos inferiores dejan de parpadear.

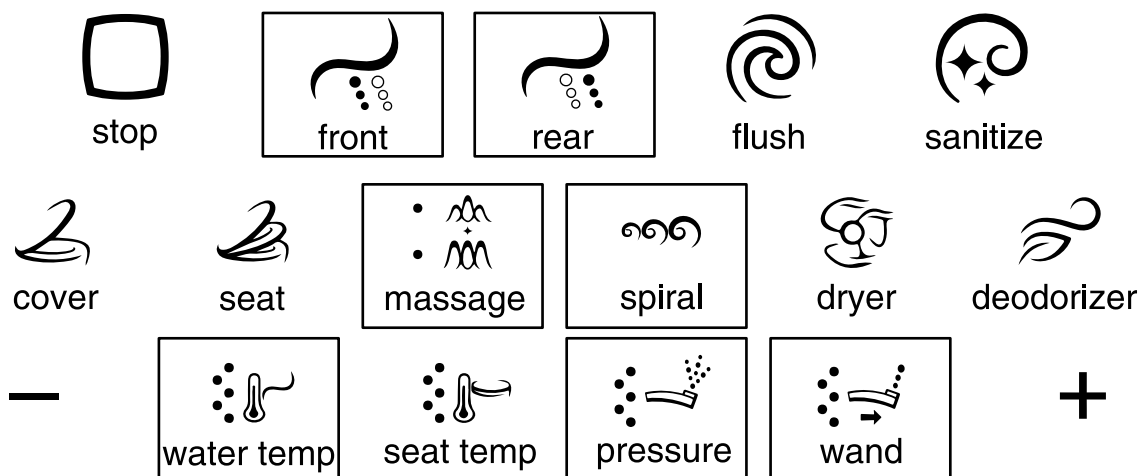




## Características generales del control remoto

¡**IMPORTANTE!** Para activar funciones por medio del control remoto, este debe estar vinculado al inodoro. Consulte la sección "Configuración del control remoto".

- **Encendido** - Oprima el botón de encendido para encender y apagar el control remoto.
- **"STOP" (paro)**- Oprima el icono "stop" para detener una función de lavado que esté activada. Oprímalo y sosténgalo oprimido para apagar el control remoto.
- **"Flush" (descarga)** - Oprima el icono "flush" para descargar el inodoro.
- **Desinfección UV** - Cuando el asiento esté desocupado, oprima el icono para higienizar, "sanitize", para iniciar la desinfección de la varilla.
- **Tapa del asiento** - Cuando el asiento esté desocupado, oprima este icono de tapa, "cover", para abrir o cerrar la tapa.
- **Asiento** - Cuando el asiento esté desocupado, oprima el icono de asiento, "seat", para abrir o cerrar el asiento.
- **Secador** - Estando sentado en el asiento, oprima el icono de secado, "dryer", para activar el flujo de aire. Esta función se detiene automáticamente después de 4 minutos, o puede ser detenida también al oprimir el icono de paro, "stop".
- **Desodorizante** - Estando sentado en el asiento, oprima una vez el icono de desodorizante, "deodorizer", para activar el desodorizante. Oprímalo por segunda vez para detener la función.
- **Temperatura de la calefacción del asiento** - Estando sentado en el asiento, oprima el icono de temperatura del asiento, "seat temp", y luego oprima el icono "+" o "-" para aumentar o disminuir la temperatura. Los puntos a la izquierda del icono indican la selección de temperatura. Hay cinco selecciones.

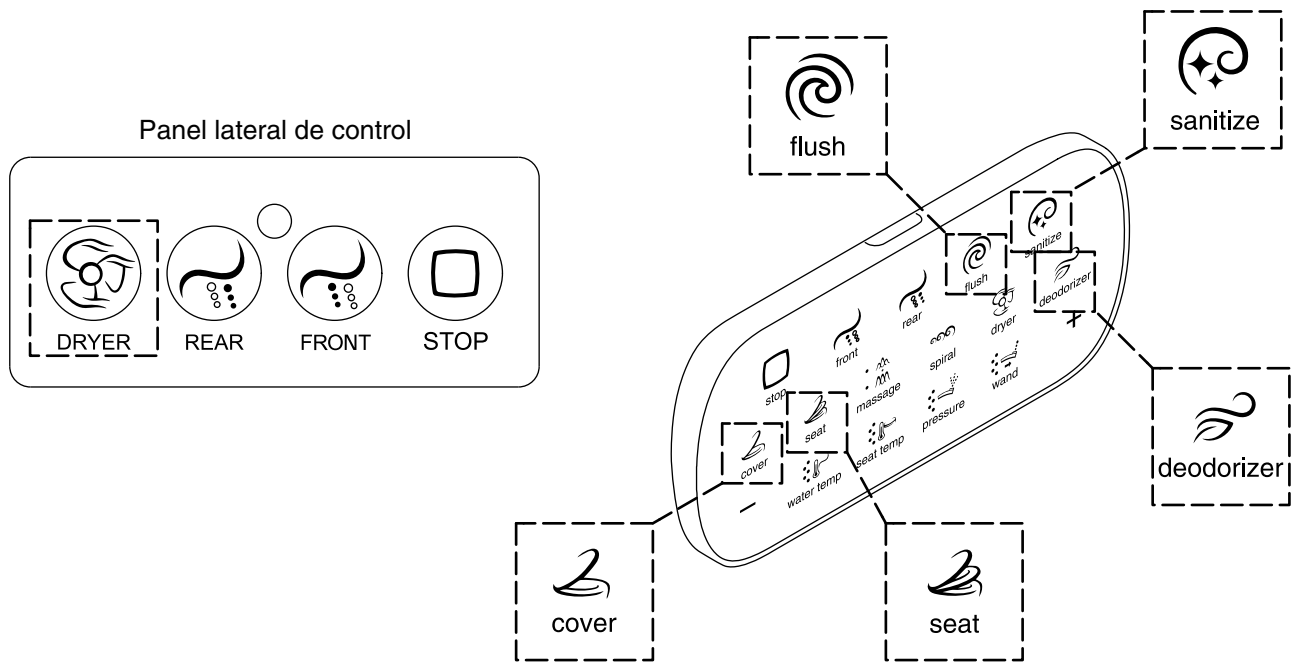


## Funciones de limpieza del control remoto

¡**IMPORTANTE!** Para activar funciones por medio del control remoto, este debe estar vinculado al inodoro. Consulte la sección "Configuración del control remoto".

**NOTA:** La temperatura del agua, la presión del agua, la posición de la varilla, y el masaje son ajustables mientras el lavado posterior está en uso. Los puntos a la izquierda de los iconos indican la selección actual.

- **Lavado frontal** - Oprima el icono "front" para activar el rocío de agua de la parte delantera de la varilla. El lavado se detiene automáticamente después de 5 minutos, o puede ser detenida al oprimir el icono de paro, "stop".
- **Lavado posterior** - Oprima el icono "rear" para activar el rocío de agua de la parte posterior de la varilla. El lavado se detiene automáticamente después de 5 minutos, o puede ser detenida al oprimir el icono de paro, "stop".
- **Masaje** - Oprima el icono de masaje, "massage", para activar la oscilación. Oprímalo de nuevo para cambiar a la pulsación. Oprímalo por tercera vez para oscilar y pulsar simultáneamente. Oprímalo por cuarta vez para detener la función.
- **Espiral** - Oprima el icono de espiral, "spiral", para activar la acción en espiral. Esta función solo está disponible cuando se está utilizando el lavado posterior. Oprima el icono de nuevo para detener la función.
- **Temperatura del agua** - Oprima el icono de temperatura del agua, "water temp", y luego oprima el icono "+" o "-" para aumentar o disminuir la temperatura a través de las cinco selecciones.
- **Presión del agua** - Oprima el icono de presión, "pressure", y luego oprima el icono "+" o "-" para aumentar o disminuir la presión del agua a través de las cinco selecciones.
- **Posición de la varilla** - Oprima el icono de varilla, "wand", y luego oprima el icono "+" o "-" para aumentar o disminuir la presión de la varilla a través de los cinco ajustes.



## Habilitar / Inhabilitar funciones automáticas

**NOTA:** Las funciones automáticas vienen habilitadas de fábrica.

### Descarga automática

- Cuando esta función está habilitada, el inodoro descarga automáticamente 60 segundos después de que el usuario se levanta, baja el asiento o se aleja del área.
- Oprima y sostenga oprimido el icono de secado, "DRYER", en el panel lateral de control hasta que la luz nocturna parpadee 3 veces.
- Oprima el botón de descarga, "flush" en el control remoto. La luz nocturna parpadea.
- Un sonido corto indica que la función ha sido habilitada. Un sonido largo indica que la función ha sido inhabilitada.

### Desinfección UV

- Cuando esta función está habilitada, rayos ultravioleta y agua esterilizan la varilla de rociado diariamente. Esta función solo opera cuando el asiento está cerrado.
- Oprima y sostenga oprimido el icono de secado, "DRYER", en el panel lateral de control hasta que la luz nocturna parpadee 3 veces.
- Oprima el botón de higienizar, "sanitize" en el control remoto. La luz nocturna parpadea.
- Un sonido corto indica que la función ha sido habilitada. Un sonido largo indica que la función ha sido inhabilitada.

### Abrir y cerrar la tapa

- Cuando esta función está habilitada, la tapa del asiento se abre en forma automática cuando alguien se acerca al inodoro. El asiento y la tapa del asiento se cierran automáticamente 3 minutos después de que se ha usado el inodoro.
- Oprima y sostenga oprimido el icono de secado, "DRYER", en el panel lateral de control hasta que la luz nocturna parpadee 3 veces.
- Oprima icono de tapa, "cover" en el control remoto. La luz nocturna parpadea una vez cuando el sensor se ajusta para una corta distancia, dos veces para una distancia intermedia, y tres veces para una distancia mayor.

## Habilitar / Inhabilitar funciones automáticas (cont.)

- Un sonido corto indica que la función ha sido habilitada. Un sonido largo indica que la función ha sido inhabilitada.

### Luz nocturna

- Cuando la función de luz nocturna está habilitada, esta se enciende automáticamente cuando hay poca luz.
- Oprima y sostenga oprimido el icono de secado, "DRYER", en el panel lateral de control hasta que la luz nocturna parpadee 3 veces.
- Oprima icono del asiento, "seat" en el control remoto. La luz nocturna parpadea.
- Un sonido corto indica que la función ha sido habilitada. Un sonido largo indica que la función ha sido inhabilitada.

### Desodorizante

- Cuando esta función está habilitada, el desodorizante se activa automáticamente mientras el inodoro está en uso.
- Oprima y sostenga oprimido el icono de secado, "DRYER", en el panel lateral de control hasta que la luz nocturna parpadee 3 veces.
- Oprima el icono de desodorizante, "deodorizer" en el control remoto. La luz nocturna parpadea.
- Un sonido corto indica que la función ha sido habilitada. Un sonido largo indica que la función ha sido inhabilitada.

### Modo de ahorro de energía

- Cuando esta función está habilitada, el inodoro conserva energía al reducir la temperatura del asiento cuando el inodoro no está en uso.
- Oprima y sostenga oprimido el icono de secado, "DRYER", en el panel lateral de control hasta que la luz nocturna parpadee 3 veces.
- Oprima icono de la temperatura del asiento, "seat temp" en el control remoto. La luz nocturna parpadea.
- Un sonido corto indica que la función ha sido habilitada. Un sonido largo indica que la función ha sido inhabilitada.

### Rocío inicial del inodoro

- Cuando esta función está habilitada, el inodoro automáticamente rocía inicialmente la superficie de la taza con spray de agua cuando se abre la tapa del inodoro o cuando el usuario oprime el botón de higienizar "SANITIZE" en el control remoto. La función termina automáticamente cuando se abre el anillo del asiento o el usuario se sienta en el asiento.
- Oprima y sostenga oprimido el icono de secado, "DRYER", en el panel lateral de control hasta que la luz nocturna parpadee 3 veces.
- Oprima el botón "REAR" en el control lateral del inodoro. La luz nocturna parpadea.
- Un sonido corto indica que la función ha sido habilitada. Un sonido largo indica que la función ha sido inhabilitada.

## Cuidado y limpieza



**ADVERTENCIA: Riesgo de daños al producto o a la propiedad.** Para limpiar el inodoro no utilice productos que se colocan dentro del tanque. Los productos que contienen cloro (hipoclorito de calcio) pueden dañar mucho las piezas del tanque. Esto puede causar fugas y daños a la propiedad.

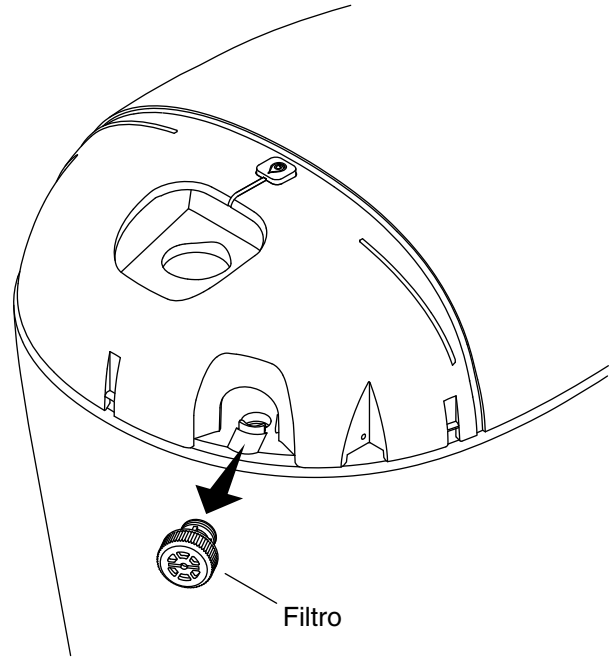
Kohler Co. no se hará responsable de daños a las conexiones del tanque causados por el uso de limpiadores que contengan cloro (hipoclorito de calcio).

## Cuidado y limpieza (cont.)

Para obtener los mejores resultados, tenga presente lo siguiente al limpiar su producto KOHLER:

- Siempre pruebe la solución de limpieza en un área oculta antes de aplicarla a toda la superficie.
- Limpie las superficies con un paño, y enjuague completa e inmediatamente con agua después de haber aplicado algún limpiador. Enjuague y seque las superficies cercanas donde hayan caído salpicaduras.
- No deje mucho tiempo los limpiadores en las superficies.
- Utilice una esponja humedecida, o un paño suave y húmedo. Para limpiar las superficies nunca utilice materiales abrasivos, como cepillos o estropajos.
- **En inodoros Artist Edition:** Cuide su producto decorativo tal como lo haría con su porcelana más fina. NO utilice cepillos de cerdas ni esponjas con un lado abrasivo. Podrían rayar las superficies decoradas. Limpie estos acabados solamente con agua tibia. Seque con un trapo de algodón o con una esponja suave.

Para obtener información detallada de limpieza y de productos a considerar, visite [kohler.com/clean](http://kohler.com/clean). Para solicitar información sobre cuidado y limpieza, llame al 1-800-456-4537.



## Servicio a la varilla y al filtro

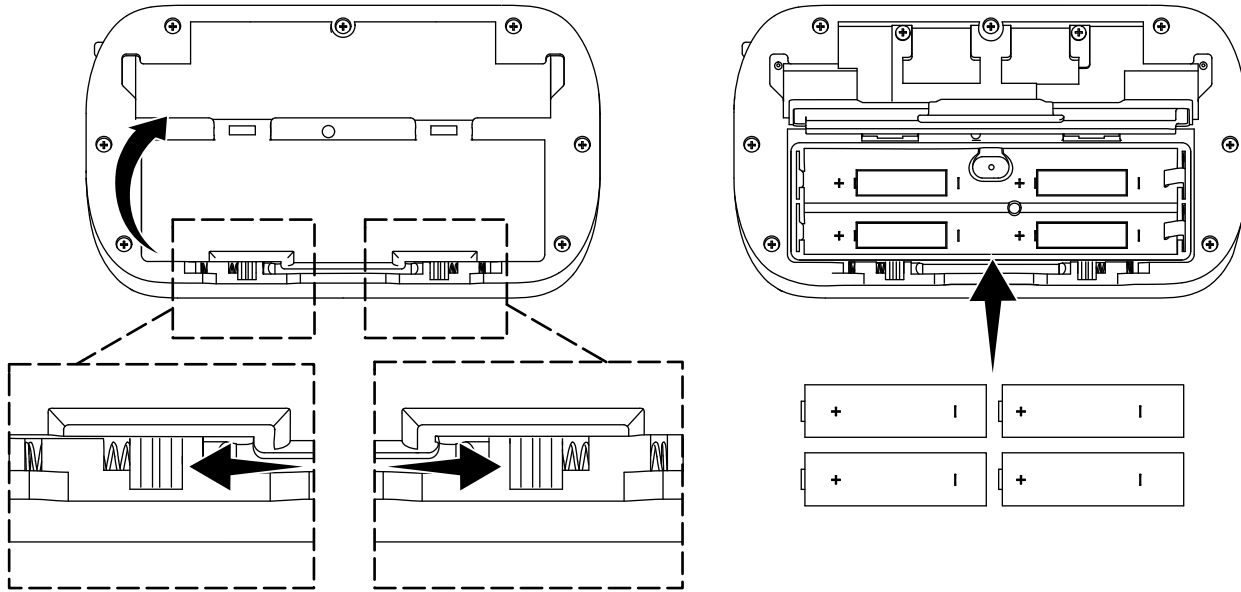
### Limpeza de la varilla de rociado

- En el panel lateral de control, oprima y sostenga oprimido el botón "FRONT" o "REAR" para extender la varilla hacia adelante.
- Limpie la varilla de rociado con un cepillo de cerdas suaves y agua caliente.
- Oprima y sostenga oprimido el icono de paro "STOP" para retraer la varilla.

### Limpeza o cambio del filtro

- Desconecte el suministro eléctrico al inodoro.
- Cierre la llave de paso de suministro para cerrar el suministro de agua.
- Retire la cubierta posterior.
- Retire el filtro y revise que no presente daños.
- Si el filtro está dañado, cámbielo.
- Si el filtro está tapado, retire todos los desperdicios.
- Instale el filtro.
- Vuelva a instalar la cubierta.
- Abra la llave de paso de suministro.
- Vuelva a conectar el suministro eléctrico al inodoro.

### Parte posterior de la estación de conexión



## Cambio de pilas

**NOTA:** La luz roja en la estación de conexión parpadea cuando las pilas están bajas. El icono de paro, "stop", en el control remoto parpadea cuando las pilas están bajas y debe ser devuelto a la estación de conexión.

- Si el control remoto está fijo en la estación de conexión, retírelo y colóquelo a un lado.
- Retire la estación de conexión de la pared levantándola hacia arriba y hacia fuera con cuidado.
- Para abrir el compartimiento posterior en la estación de conexión empuje ambas lengüetas hacia fuera al mismo tiempo.
- Instale cuatro pilas AA orientadas como se muestra en el compartimiento para pilas.
- Vuelva a instalar la cubierta.
- Vuelva a instalar la estación de conexión a la pared.

## Resolución de problemas

**NOTA:** Para consultar información sobre piezas de repuesto, visite la página del producto en [kohler.com/serviceparts](http://kohler.com/serviceparts).

### Niños pequeños

- Las funciones de descarga automática y de limpieza son activadas por un sensor que se encuentra bajo el asiento. Es posible que los niños pequeños no sean lo suficientemente altos para ser detectados por el sensor.

### Generales

Síntomas	Causas probables	Acción recomendada
1. El inodoro hace sonidos de bip cuando está ocupado.	A. El asiento ha estado ocupado durante mucho tiempo.	A. No se requiere acción alguna. Se trata simplemente de un sonido de bip de indicación.
2. No llega corriente eléctrica al inodoro..	A. El cable de suministro eléctrico no está conectado.	A. Conecte el cable de suministro eléctrico.
	B. El interruptor GFCI o RCD se ha disparado.	B. Restablezca el GFCI o RCD.

## Resolución de problemas (cont.)

### Generales

Síntomas	Causas probables	Acción recomendada
	C. El inodoro está en el modo de espera.	C. Oprima cualquier icono en el panel lateral de control para volver a activar el inodoro.
3. El inodoro tiene suministro eléctrico, pero no descarga.	A. No fluye agua al inodoro.	A. Abra por completo la llave de paso del agua.
	B. La bomba no ha sido conectada correctamente.	B. Revise la conexión de la bomba. Vuelva a conectar correctamente.
	C. El interruptor de nivel no está bien conectado.	C. Revise la conexión del interruptor de nivel.
	D. La válvula dentro del inodoro no está abierta.	D. Gire el tornillo de ajuste de la válvula hacia la izquierda para abrir la válvula. Consulte la guía de instalación.
4. El inodoro tiene suministro eléctrico, pero no responde.	A. El interruptor del accionador no está bien conectado.	A. Revise la conexión del interruptor del accionador.
	B. Mientras el inodoro estaba apagando sus funciones, antes de que el sonido de aviso terminara, se volvió a activar el suministro eléctrico.	B. Después de quitar la corriente, espere a que el sonido de aviso termine antes de volver a activar la corriente.
5. No sale agua de la varilla o el flujo es muy débil cuando se activa.	A. La llave de paso de suministro de agua está cerrada o solo parcialmente abierta.	A. Abra por completo la llave de paso del agua.
	B. La manguera de entrada de la llave de paso de suministro de agua al inodoro está torcida o forma un bucle demasiado apretado.	B. Destuerza la manguera o haga el bucle más amplio.
	C. El sensor no detecta al usuario.	C. Es posible que los niños pequeños no sean detectados. Ajuste la posición al estar sentado. El sensor puede tener dificultades con la tela o con otros objetos. El sensor está diseñado para detectar la piel.
	D. El filtro está bloqueado o dañado.	D. Dé servicio al filtro. Consulte la sección "Servicio a la varilla y al filtro".
6. La función de calefacción del asiento no está funcionando.	A. La calefacción del asiento no está habilitada.	A. Active la calefacción del asiento. Consulte la sección "Habilitar / Inhabilitar funciones automáticas".
	B. La selección de temperatura es demasiado baja.	B. Ajuste la temperatura de calefacción del asiento por medio del control remoto.
7. El agua deja de fluir de la varilla de rociado antes de que termine el proceso de lavado.	A. El lavado se detiene automáticamente 5 minutos después de oprimir un icono de rocío.	A. Oprima el icono "front" (frontal) o "rear" (posterior) para reiniciar el proceso de limpieza.
8. El desodorizante no está funcionando.	A. El desodorizante no está activado.	A. Active el desodorizante mediante el control remoto.
9. El inodoro no acciona la descarga automáticamente.	A. La función de descarga automática no está habilitada.	A. Active la descarga automática. Consulte la sección "Habilitar / Inhabilitar funciones automáticas".



## Resolución de problemas (cont.)

### Generales

Síntomas	Causas probables	Acción recomendada
	<b>B.</b> El sensor no detecta al usuario.	<b>B.</b> Si esto sucede repetidamente, llame al Centro de Atención al Cliente mediante la información en la página posterior de este manual.
<b>10.</b> La luz nocturna no se ilumina cuando hay poca luz.	<b>A.</b> La luz nocturna no está habilitada.	<b>A.</b> Habilite la luz nocturna. Consulte la sección "Habilitar / Inhabilitar funciones automáticas".
	<b>B.</b> El sensor de poca luz no está funcionando.	<b>B1.</b> Limpie el sensor de luz en el panel lateral de control. <b>B2.</b> Llame al Centro de Atención al Cliente mediante la información en la página posterior de este manual.

### Control remoto

Síntomas	Causas probables	Acción recomendada
<b>1.</b> El control remoto no enciende.	<b>A.</b> Las pilas no están bien instaladas.	<b>A.</b> Vuelva a instalar las pilas. Consulte la sección "Cambio de pilas".
	<b>B.</b> Las pilas no tienen carga.	<b>B.</b> Cambie las pilas. Consulte la sección "Cambio de pilas".
<b>2.</b> El control remoto no está conectando con el inodoro. La hilera inferior de íconos está centelleando.	<b>A.</b> El control remoto está demasiado lejos del inodoro para recibir una señal.	<b>A.</b> Acerque el control remoto al inodoro para recobrar la conexión.
	<b>B.</b> El control remoto no está vinculado al inodoro.	<b>B.</b> Vincule el control remoto al inodoro. Consulte la sección "Configuración del control remoto".

## Conformidad del control remoto

**FCC ID: N82-KOHLER019, N82-KOHLER020, N82-KOHLER021**

**IFT:** Certificados RCPKO1215-2233 y RCPKO1215-2234.

Este equipo cumple lo establecido en la sección 15 de las normas de la FCC. La operación de este equipo está sujeta a las siguientes dos condiciones:

1. Este equipo o dispositivo no puede causar interferencia perjudicial, y
2. Este dispositivo debe aceptar cualquier interferencia que reciba, incluida la interferencia que pudiera causar funcionamiento no deseado.

Cualquier modificación o cambio que no haya sido aprobado expresamente por la parte responsable de la conformidad podría invalidar el derecho del usuario a utilizar el producto.

Este equipo ha sido probado, y se ha encontrado que satisface los límites de un aparato digital Clase B, de acuerdo a la sección 15 de las normas de la FCC. Estos límites están diseñados para proveer protección razonable contra interferencia perjudicial en una instalación residencial. Este equipo genera, usa y puede radiar energía de radiofrecuencia y, si no se instala y utiliza en cumplimiento de las instrucciones, puede causar interferencia perjudicial a las comunicaciones de radio. Sin embargo, no se garantiza que la interferencia no pudiera ocurrir en una instalación en particular. Si este equipo causa interferencia perjudicial a la recepción de radio o televisión, lo que se puede determinar al encender y apagar el equipo, se le recomienda al usuario que trate de corregir la interferencia mediante una de las siguientes medidas:

- Cambiar la orientación o el lugar de la antena receptora.
- Aumentar la separación entre el equipo y el receptor.
- Conectar el equipo a un tomacorriente en un circuito diferente al que utiliza el receptor.
- Consultar al distribuidor o a un técnico con experiencia en radio/televisión para obtener ayuda.

## **Conformidad del control remoto (cont.)**

### **Advertencia sobre exposición a radiofrecuencias**

Este transmisor con su antena cumple los límites de exposición de radiofrecuencia (RF) de la FCC para la exposición no controlada/población general.

Este dispositivo no debe ubicarse ni hacerse funcionar con ninguna otra antena o transmisor.

Este dispositivo debe usarse a una distancia mínima de por lo menos 20 cm entre la antena y el cuerpo de la persona.

### **IC DE CANADÁ: 4554A-KOHLER019, 4554A-KOHLER020, 4554A-KOHLER021**

Este dispositivo cumple las normas RSS de excepción de licencia de la Industria de Canadá.

La operación de este equipo está sujeta a las siguientes dos condiciones:

1. Este equipo no debe causar interferencia, y
2. Este equipo debe aceptar cualquier interferencia, incluida la interferencia que pueda causar funcionamiento no deseado.

Este transmisor con su antena cumple con los límites de exposición de radiofrecuencia (RF) de la Industria de Canadá para la exposición no controlada/población general.

Este aparato digital Clase B cumple la norma canadiense ICES-003.



USA/Canada: 1-800-4KOHLER

México: 001-800-456-4537

[kohler.com](http://kohler.com)

THE BOLD LOOK  
OF **KOHLER**®

©2019 Kohler Co.

1384198-5-A