

Features

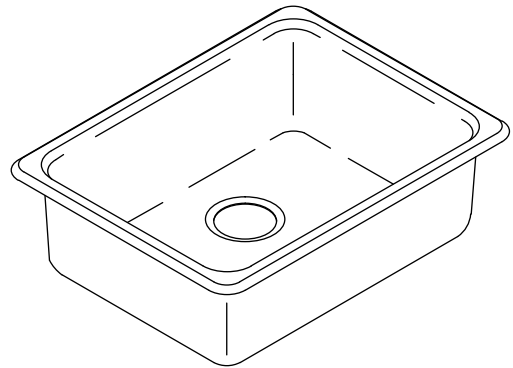
- KOHLER cast iron
- Acid-resistant enamel finish
- Single bowl
- Includes installation hardware
- 24-1/4" (616 mm) x 18-3/4" (476 mm) (top-mount)

TOP-MOUNT OR UNDER-MOUNT KITCHEN SINK K-6585

Codes/Standards Applicable

Specified model meets or exceeds the following:

- ASME A112.19.1/CSA B45.2



Colors/Finishes

- 0: White
- Other: Refer to Price Book for additional colors/finishes

Accessories

- CP: Polished Chrome
- ST: Stainless Steel
- NA: None applicable
- Other: Refer to Price Book for additional colors/finishes

Specified Model

Model	Description	Colors/Finishes	
K-6585	Kitchen sink	<input type="checkbox"/> 0	<input type="checkbox"/> Other_____
Optional Accessories			
K-3192	Bottom bowl rack	<input type="checkbox"/> ST	<input type="checkbox"/> Other_____
K-3277	Wire rinse basket	<input type="checkbox"/> 0	<input type="checkbox"/> Other_____
K-3294	Hardwood cutting board	<input type="checkbox"/> NA	
K-8801	Duostrainer® sink strainer	<input type="checkbox"/> CP	<input type="checkbox"/> Other_____

Product Specification

The kitchen sink shall be made of cast iron with acid-resistant enamel finish. Sink shall be single bowl and shall include installation hardware. The top-mount sink shall be 24-1/4" (616 mm) in length and 18-3/4" (476 mm) in width. Sink shall be Kohler Model K-6585-_____.

IRON/TONES™

Technical Information

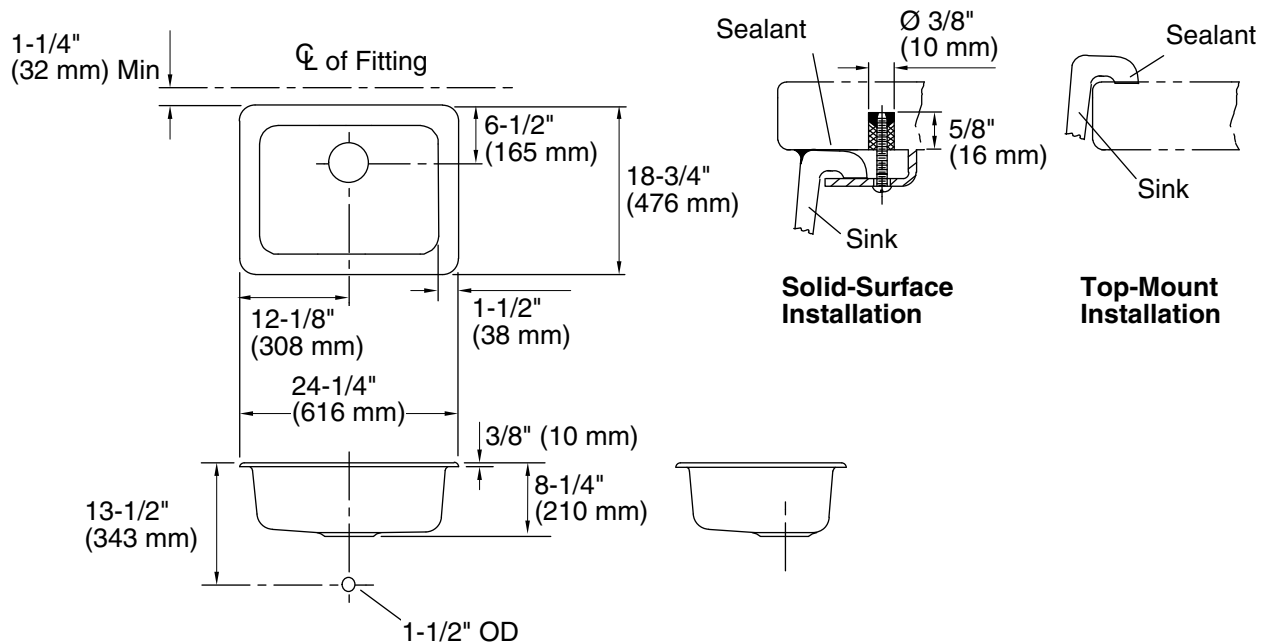
Fixture*:	
Bowl area	21" (533 mm) x 16" (406 mm)
Water depth	7-1/2" (191 mm)
Drain hole	Ø 3-7/8" (98 mm)
* Approximate measurements for comparison only.	
Included components:	
Bowl clamp accessory pack	52047
Cut-out template	114333-7

Installation Notes

Install this product according to the installation guide.

Supplied bowl clamp assemblies require 1" (25 mm) minimum countertop thickness. Installer must supply hardware for thinner countertops.

For multiple bowl under-mount installations, a minimum distance of 3-3/8" (86 mm) is required between bowls. Countertop supplier to determine required support.



Product Diagram