

Features

- Brass construction
- Fixture-mount design
- Includes a 9 V lithium battery
- Intended for urinal installations with 3/4" spud coupling connection
- Electronic infrared sensor with WAVE technology for accurate activation
- 0.125 gal (0.47 L) per flush flow rate
- WaterSense® compliant when used with K-4904-ET

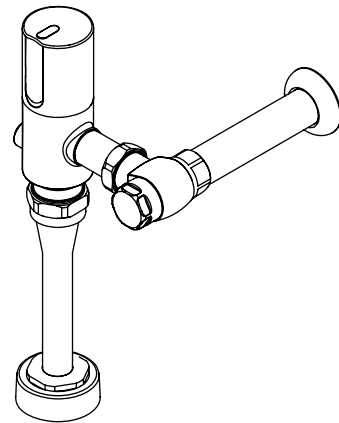
Codes/Standards Applicable

Specified model meets or exceeds the following:

- ADA
- ICC/ANSI A117.1
- CSA B651
- OBC
- CSA B64
- CSA B125.3
- ICES-003 Class B
- ASSE 1037
- FCC 47, Part 15
- EN 55022
- ASME A112.18.1/CSA B125.1
- EPA WaterSense®

**EXPOSED FLUSH VALVE
K-10668**

ADA CSA B651 OBC



Colors/Finishes

- CP: Polished Chrome

Specified Model:

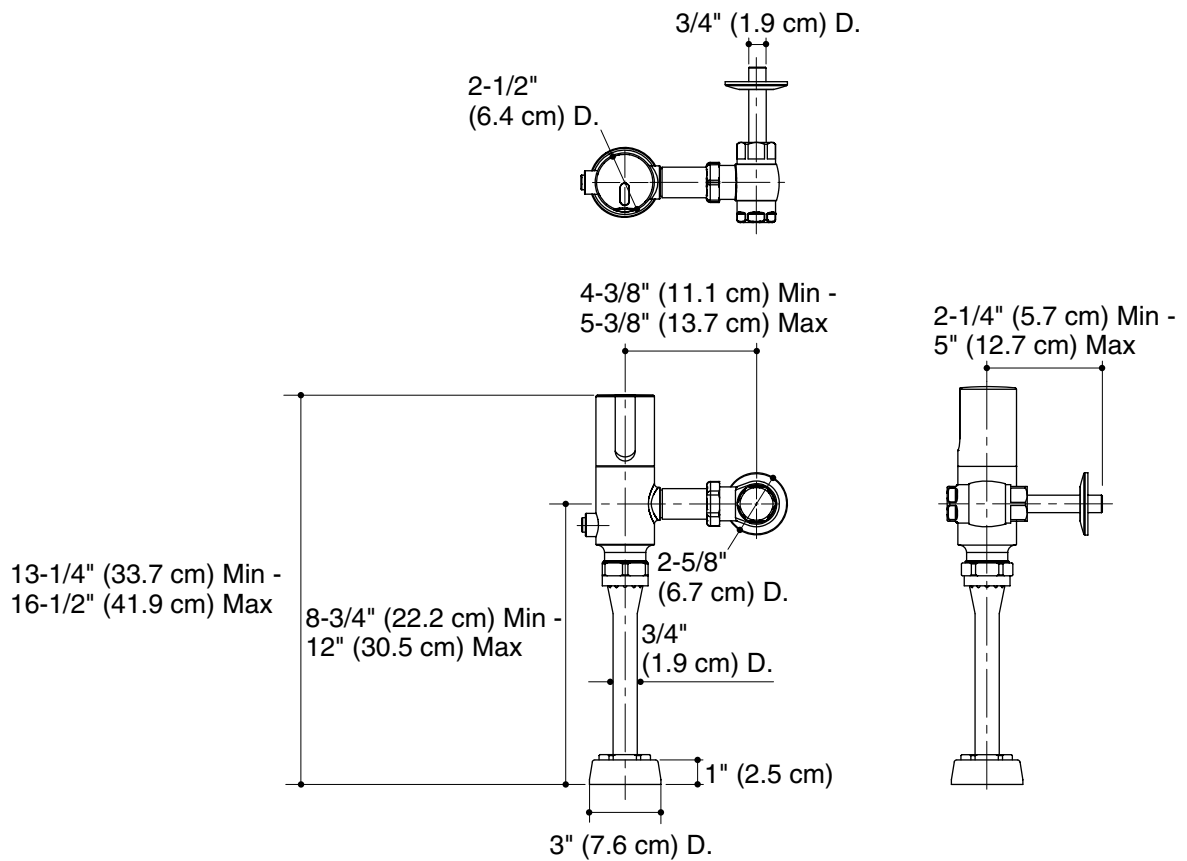
Model	Description	Colors/Finishes
K-10668	Exposed flush valve, washdown	<input type="checkbox"/> CP

PRODUCT SPECIFICATION

Electronic flush valve shall be made of brass construction. Valve shall feature electronic infrared sensor with WAVE technology for accurate activation. Valve shall be of a fixture-mount design. Product is intended for urinal installations with a 3/4" spud coupling connection. Valve shall have a 0.125 gal (0.47 L) per flush flow rate. Valve shall be WaterSense compliant when used with K-4904-ET. Valve includes a 9 V lithium battery. Exposed flush valve shall be Kohler Model K-10668-CP.

Installation Notes

Install this product according to the installation guide.



Product Diagram