

### TOP-MOUNT BAR SINK K-3674

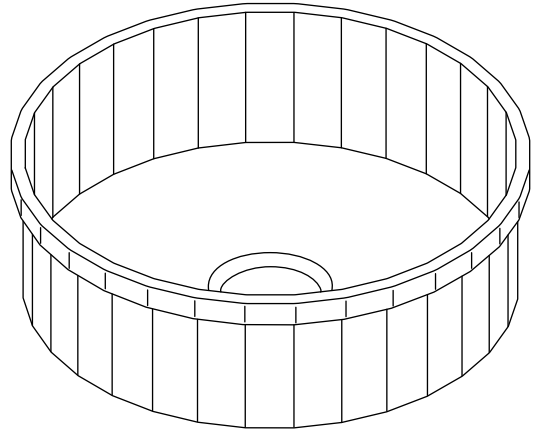
#### Features

- 14-gauge stainless steel
- Single bowl
- Top-mount
- 18-3/4" (476 mm) diameter

#### Codes/Standards Applicable

Specified model meets or exceeds the following:

- ASME A112.19.3/CSA B45.4



#### Colors/Finishes

- NA: None applicable

#### Accessories

- CP: Polished Chrome
- Other: Refer to Price Book for additional colors/finishes

#### Specified Model

Model	Description	Colors/Finishes	
K-3674	Top-mount bar sink	<input type="checkbox"/> NA	
Optional Accessories			
K-8801	Duostrainer® sink strainer	<input type="checkbox"/> CP	<input type="checkbox"/> Other_____

#### Product Specification

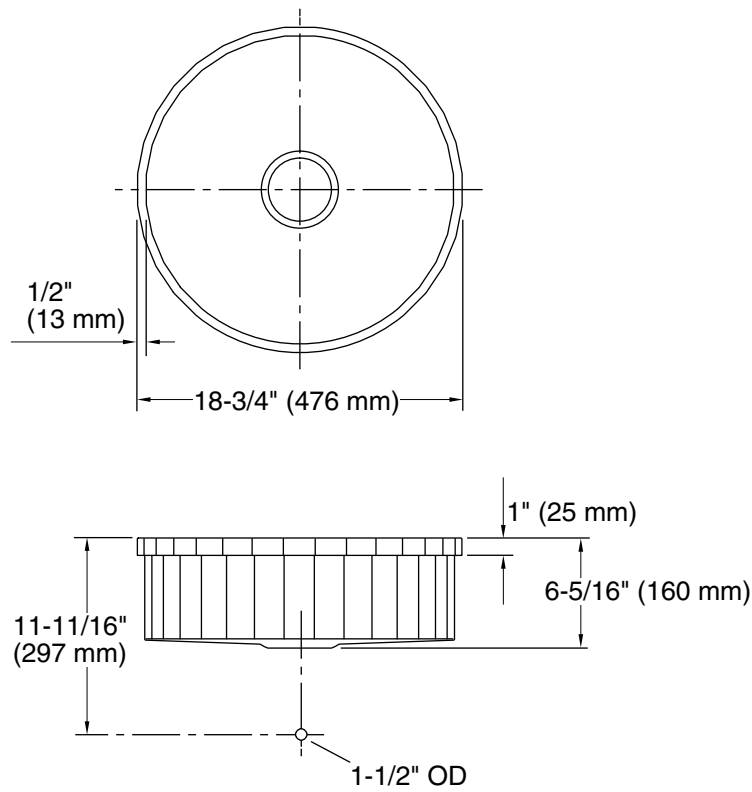
The top-mount bar sink shall be 18-3/4" (476 mm) in diameter. Sink shall be made of 14-gauge stainless steel. Sink shall be single bowl. Sink shall be Kohler Model K-3674-\_\_\_\_\_.

## Technical Information

Fixture*:	
Bowl area	Ø 17-3/4" (451 mm)
Water depth	6" (152 mm)
Drain hole	Ø 3-5/8" (92 mm)
* Approximate measurements for comparison only.	
Included components:	
Cutout template	1220554-7

## Installation Notes

Install this product according to the installation guide.



## Product Diagram