

Features

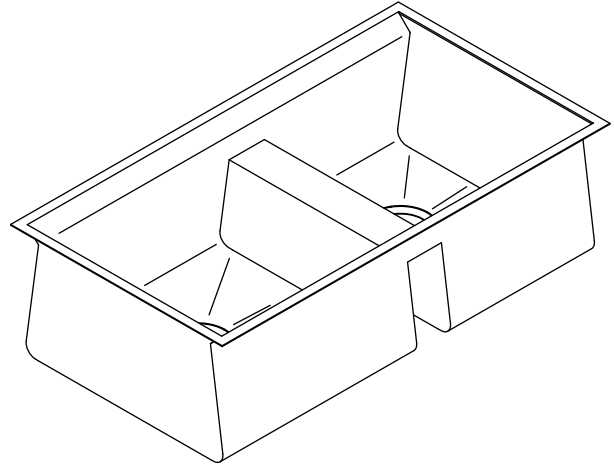
- 16-gauge stainless steel
- Under-mount
- Double (unequal) bowl
- Includes installation hardware
- Includes wine glass rack and bottom bowl rack
- 31" (787 mm) x 16-1/2" (419 mm)

Codes/Standards Applicable

Specified model meets or exceeds the following:

- ASME A112.19.3/CSA B45.4

UNDER-MOUNT KITCHEN SINK K-3672



Colors/Finishes

- NA: None applicable

Accessories

- CP: Polished Chrome
- ST: Stainless Steel
- NA: None applicable
- Other: Refer to Price Book for additional colors/finishes

Specified Model

Model	Description	Colors/Finishes
K-3672	Under-mount kitchen sink	<input type="checkbox"/> NA
Included Accessories		
K-6133	Wine glass rack	<input type="checkbox"/> NA
K-6135	Bottom bowl rack (for larger bowl)	<input type="checkbox"/> ST
K-6136	Bottom bowl rack (for smaller bowl)	<input type="checkbox"/> ST
Optional Accessories		
K-3140	Bamboo cutting board (for either bowl)	<input type="checkbox"/> NA
K-8801	Duostrainer® sink strainer	<input type="checkbox"/> CP <input type="checkbox"/> Other _____

Product Specification

The under-mount kitchen sink shall be 31" (787 mm) in length and 16-1/2" (419 mm) in width. Sink shall be made of 16-gauge stainless steel. Sink shall feature a double (unequal) bowl. Sink shall include wine glass rack, bottom bowl rack, and installation hardware. Sink shall be Kohler Model K-3672-_____.

8 DEGREE™

Technical Information

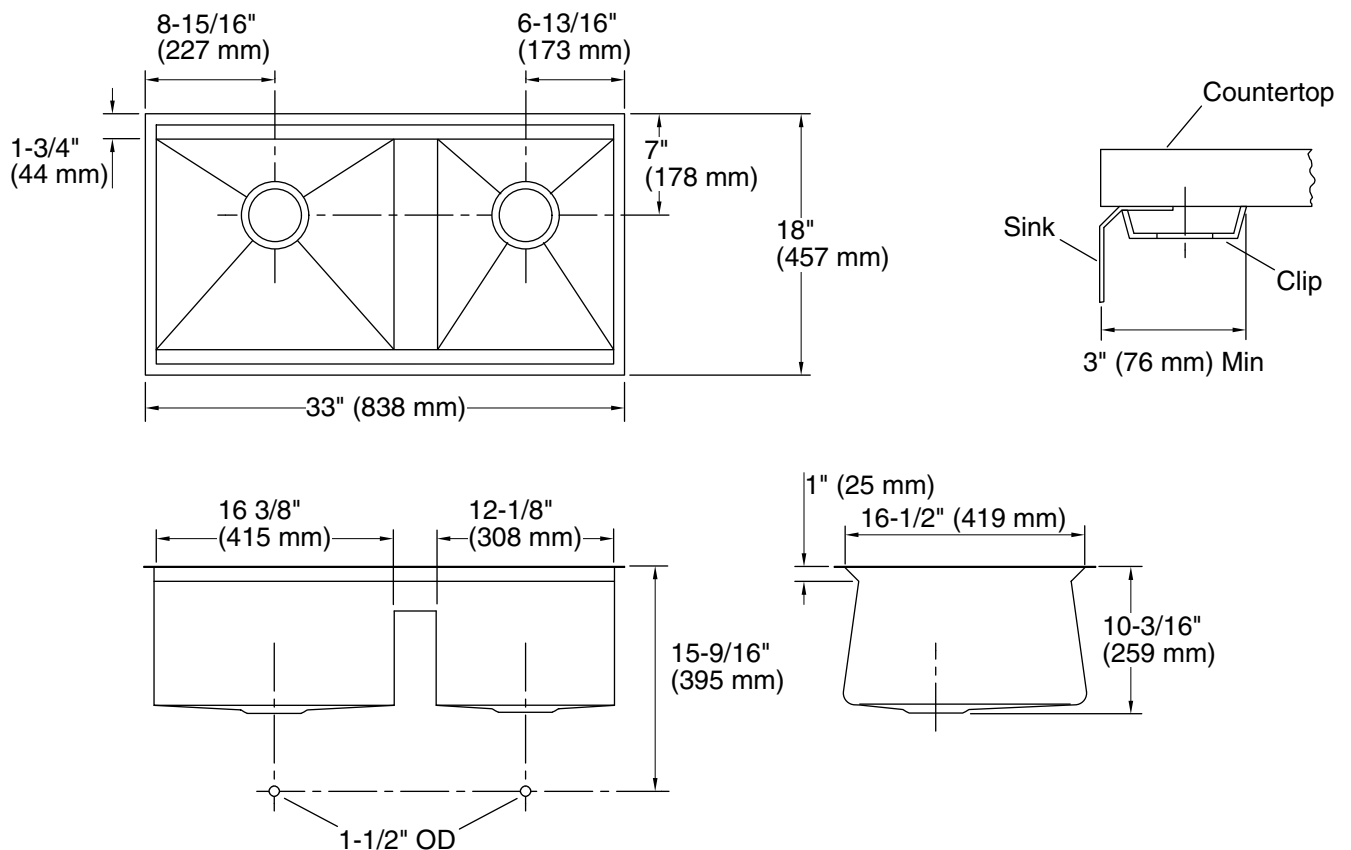
Fixture*:	Bowl area	Water depth
Sink, left	16-3/8" (416 mm) x 16-1/2" (419 mm)	9-3/4" (248 mm)
Sink, right	12-1/8" (308 mm) x 16-1/2" (419 mm)	9-3/4" (248 mm)
Drain holes	Ø 3-5/8" (92 mm)	
* Approximate measurements for comparison only.		

Included components:	
Hardware kit	91915
Cut-out template	1093327-7

Installation Notes

Install this product according to the installation guide.

Allow a minimum of 3" (76 mm) clearance around the sink rim for clip attachment.



Product Diagram