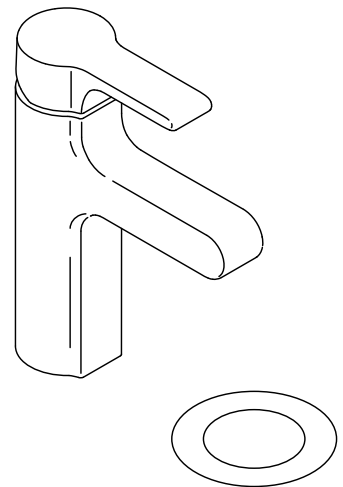


### Features

- Brass construction
- Leak-free ceramic disc valve
- KOHLER finishes resist corrosion and tarnishing.
- Single hole installation
- Lever handle
- Spout reach 100 mm
- Includes flexible G1/2 supply hoses for easy installation
- Includes drain



### Codes/Standards

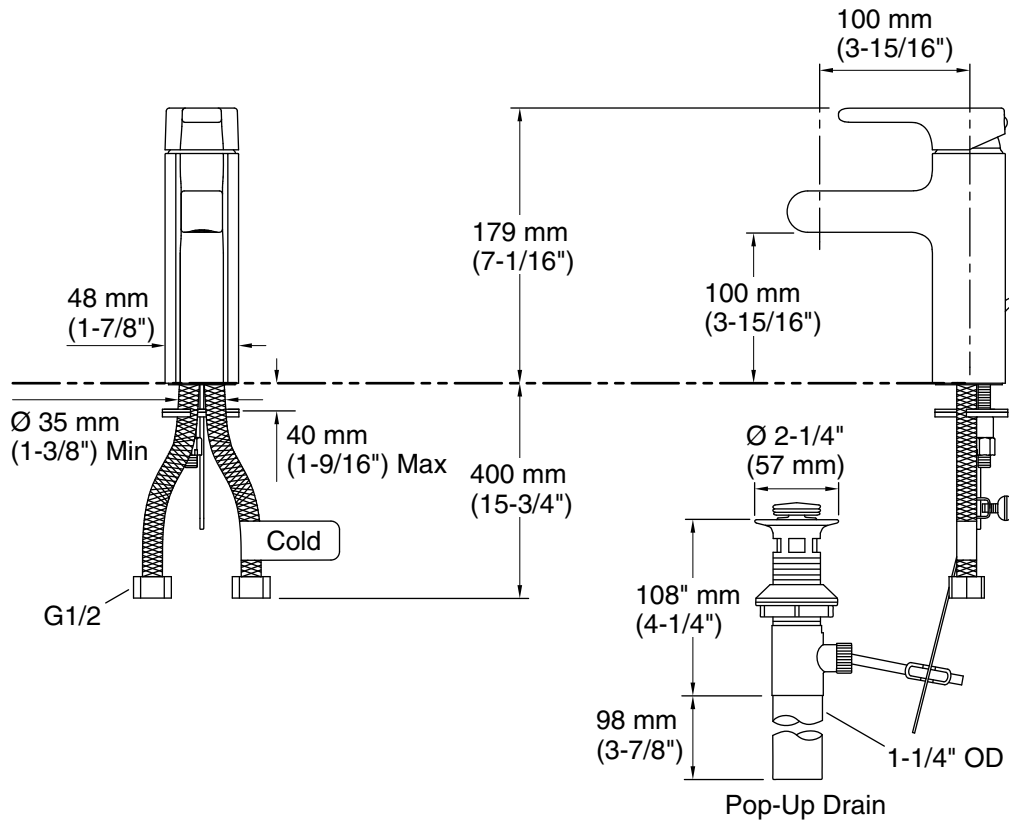
EN 817-2008  
GB 18145-2014

### Available Colors/Finishes

*Color tiles intended for reference only.*

Color	Code	Description
-------	------	-------------

	CP	
--	----	--



### Technical Information

All product dimensions are nominal.

### Faucet:

Flow rate: 2.37 gal/min (9 l/min)

### Notes

Install this product according to the installation instructions.