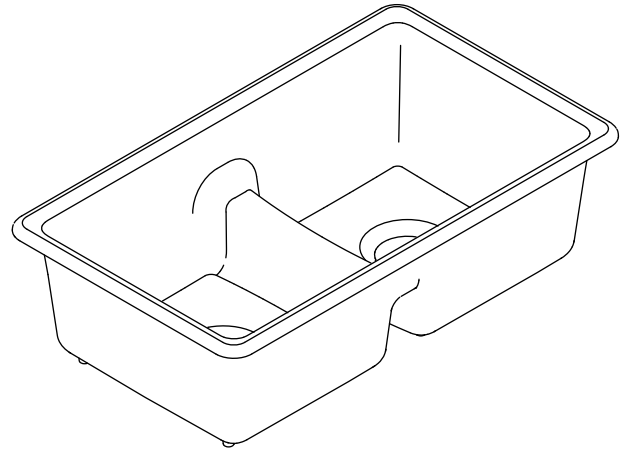


### Features

- KOHLER cast iron
- Acid-resistant enamel finish
- Low profile bowl divider for ease of handling large items
- Equal dimension double bowl
- Top-mount or under-mount installation
- 23" (584 mm) under-mount sink kit included
- 33" (838 mm) x 19-3/8" (492 mm)

### TOP-MOUNT OR UNDER-MOUNT SMART DIVIDE™ KITCHEN SINK K-5838



### Codes/Standards Applicable

Specified model meets or exceeds the following:

- ASME A112.19.1/CSA B45.2

### Colors/Finishes

- 0: White
- Other: Refer to Price Book for additional colors/finishes

### Accessories

- CP: Polished Chrome
- NA: None applicable
- Other: Refer to Price Book for additional colors/finishes

### Specified Model

Model	Description	Colors/Finishes	
K-5838	Top-mount or under-mount kitchen sink	<input type="checkbox"/> 0	<input type="checkbox"/> Other_____
<b>Recommended Accessories</b>			
K-9000	P-Trap	<input type="checkbox"/> CP	
<b>Optional Accessories</b>			
K-6039	Bottom bowl rack	<input type="checkbox"/> ST	<input type="checkbox"/> Other_____
K-6624	Hardwood cutting board		<input type="checkbox"/> NA
K-8801	Duostrainer® sink strainer	<input type="checkbox"/> CP	<input type="checkbox"/> Other_____

### Product Specification

The kitchen sink shall be made of cast iron with acid-resistant enamel finish. Sink shall be 33" (838 mm) in length, and 19-3/8" (492 mm) in width. Sink shall have equal dimension double bowl. Sink shall include 23" (584 mm) under-mount sink kit. Sink shall feature a low profile bowl divider for ease of handling large items. Sink shall be for top-mount or under-mount installation. Sink shall be Kohler Model K-5838-\_\_\_\_\_.

# DEERFIELD®

## Technical Information

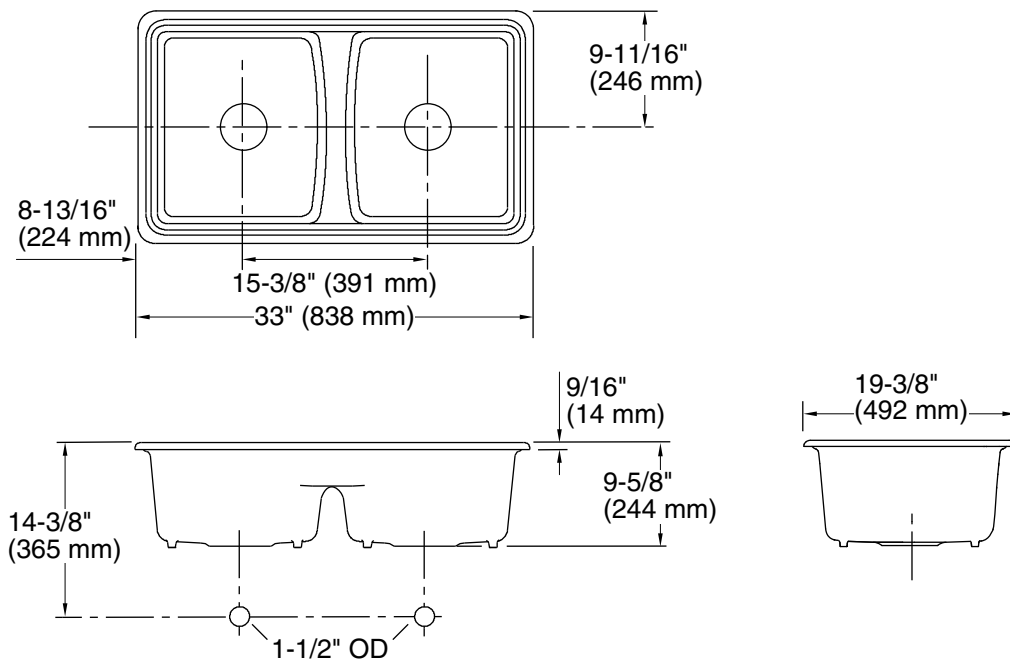
Fixture*:	
Bowl area	14-1/16" (357 mm) x 16" (406 mm)
Water depth	9" (229 mm)
Drain hole	Ø 3-7/8" (98 mm)
* Approximate measurements for comparison only.	

Included component:	
Cut-out template	1207481-7
Under-mount sink kit, 23" (584 mm)	1054375

## Installation Notes

Install this product according to the installation guide.

**NOTICE:** Countertop manufacturer or cutter **must** use the cut-out template provided with the product, or a current one provided by Kohler Co. (call 1-800-4KOHLEER). Kohler Co. is not responsible for cut-out errors when the incorrect cut-out template is used.



## Product Diagram