

**TABORET®**

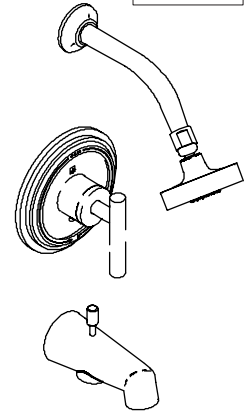
**Features**

- Brass construction
- Intended for use with Rite-Temp® or HiFlow Rite-Temp® valves
- 4-7/8" (12.4 cm) diverter spout with NPT connection
- Variety of handle style options

**BATH AND SHOWER FAUCET TRIM  
K-T8224**

**ALSO K-T8226, K-T8228**

**ADA**



**Codes/Standards Applicable**

Specified model meets or exceeds the following:

- ASME A112.18.1
- CSA B125
- IAPMO/UPC
- ASSE 1016
- ADA
- CSA International



**Colors/Finishes**

- CP: Polished Chrome
- PB: Vibrant® Polished Brass
- Other: Refer to Price Book for additional colors/finishes

**Accessories:**

- CP: Polished Chrome
- Other: Refer to Price Book for additional colors/finishes
- NA: None applicable

**Specified Model**

Model	Description	 <b>ADA</b>	 <b>ADA</b>
K-T8224-4	Bath and shower trim with lever handle	<input type="checkbox"/> CP <input type="checkbox"/> PB <input type="checkbox"/> Other_____	
K-T8224-4A	Bath and shower trim with swirl lever handle		<input type="checkbox"/> CP <input type="checkbox"/> PB
K-T8226-4	Shower only trim with lever handle	<input type="checkbox"/> CP <input type="checkbox"/> PB <input type="checkbox"/> Other_____	
K-T8226-4A	Shower only trim with swirl lever handle		<input type="checkbox"/> CP <input type="checkbox"/> PB
K-T8228-4	Valve only trim with lever handle	<input type="checkbox"/> CP <input type="checkbox"/> PB <input type="checkbox"/> Other_____	
K-T8228-4A	Valve only trim with swirl lever handle		<input type="checkbox"/> CP <input type="checkbox"/> PB

**Product Specification**

Rite-Temp® pressure-balancing single-control bath and shower faucet trim shall be of brass construction. Bath and shower trim shall include showerhead with arm and flange, 4-7/8" (12.4 cm) diverter spout with NPT connection, and faceplate with handle. Shower only trim shall include showerhead with arm and flange, and faceplate with handle. Valve only trim shall include faceplate with handle. Faucet trim shall be K-T\_\_\_\_-\_\_\_\_-\_\_\_\_ and Rite-Temp® valve shall be K-304-\_\_\_\_-NA OR K-306-KS-NA HiFlow Rite-Temp® valve.

# TABORET®

Required Accessories			
K-304-K	Rite-Temp® valve without stops <b>OR</b>	<input type="checkbox"/> NA	
K-304-KS	Rite-Temp® valve with stops <b>OR</b>	<input type="checkbox"/> NA	
K-306-KS	HiFlow Rite-Temp® valve with integral stops	<input type="checkbox"/> NA	
Recommended Accessories			
88526	HiFlow Rite Temp® thin wall installation kit	<input type="checkbox"/> CP	<input type="checkbox"/> Other
Optional Accessories			
58226	Deep roughing-in kit for Rite-Temp® valve (lever and T-handle)	<input type="checkbox"/> CP	<input type="checkbox"/> Other

## Installation Notes



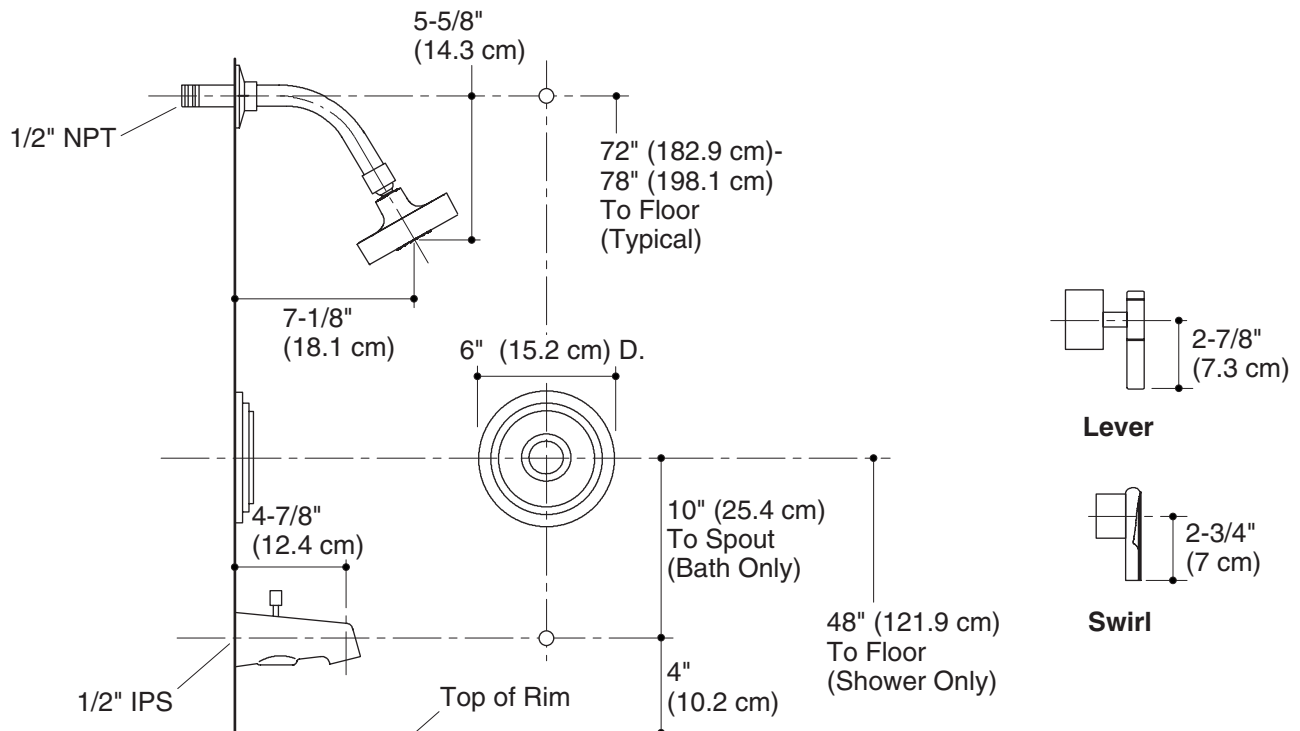
**WARNING: Risk of damage to the K-306-KS valve assembly.** When using the K-306-KS valve in a fiberglass or acrylic installation, use the thin wall installation kit (88526).

Install straight pipe or tube drop of 7" (17.8 cm) to 18" (45.7 cm) with single elbow between valve and wall-mount spout.

Install this product according to the installation guide.

Avoid cross-flow conditions. Do not install shut-off device on either valve outlet.

Cap shower outlet if deck-mounted spout, diverter, or handshower is connected to the spout outlet.



## Product Diagram