

### Features

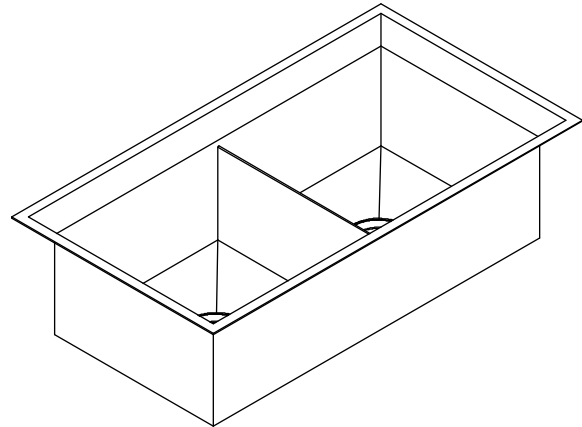
- 16-gauge stainless steel
- Mirror finished rim (-H)
- Under-mount
- Double (equal) compartment
- Includes cutting board and bottom bowl rack
- Includes installation hardware
- 29" (737 mm) x 14" (356 mm)

### Codes/Standards Applicable

Specified model meets or exceeds the following:

- ASME A112.19.3/CSA B45.4

## UNDER-MOUNT KITCHEN SINK K-3159



### Colors/Finishes

- NA: None applicable

### Accessories

- CP: Polished Chrome
- ST: Stainless Steel
- Other: Refer to Price Book for additional colors/finishes

### Specified Model

Model	Description	Colors/Finishes
K-3159	Under-mount kitchen sink with cutting board and bottom bowl rack	<input type="checkbox"/> NA
K-3159-H	Under-mount kitchen sink with mirror finished rim, cutting board and bottom bowl rack	<input type="checkbox"/> NA

Included Accessories		
K-3140	Bamboo cutting board	<input type="checkbox"/> NA
K-3142	Bottom bowl rack (for either bowl)	<input type="checkbox"/> ST

Optional Accessories			
K-2989	Countertop cutting board	<input type="checkbox"/> NA	
K-8801	Duostrainer® sink strainer	<input type="checkbox"/> CP	<input type="checkbox"/> Other_____

### Product Specification

The under-mount kitchen sink shall be made of 16-gauge stainless steel. Sink shall be 29" (737 mm) in length and 14" (356 mm) in width. Sink shall be available with mirror finished rim (-H). Sink shall be double (equal) compartment. Sink shall include cutting board, bottom bowl rack, and installation hardware. Sink shall be Kohler Model K-3159-\_\_\_\_-NA.

# POISE™

## Technical Information

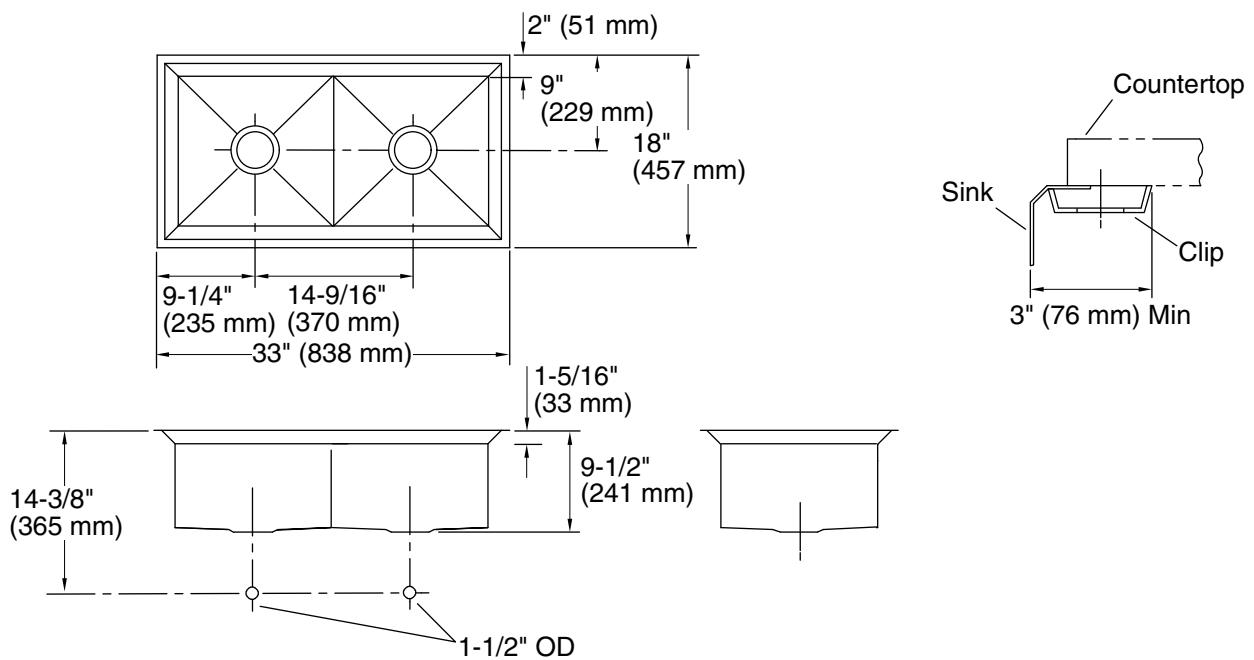
Fixture*:	
Bowl area	14-7/16" (367 mm) x 14" (356 mm)
Water depth	9-3/16" (233 mm)
Drain holes	Ø 3-5/8" (92 mm)
* Approximate measurements for comparison only.	

Included components:	
Hardware kit	91915
Cut-out template	1021992-7
Bamboo cutting board	K-3140
Bottom bowl rack	K-3142

## Installation Notes

Install this product according to the installation guide.

Allow a minimum of 3" (76 mm) clearance around the sink rim for clip attachment.



## Product Diagram