

11545-4

11546-4

BASIN PILLAR TAP

TALL BASIN PILLAR TAP

### BEFORE YOU BEGIN

All information is based on the latest product information available at the time of publication. Kohler Co. reserves the right to make changes in product characteristics, packaging, or availability at any time without notice.

Please leave these instructions for the consumer. They contain important information.

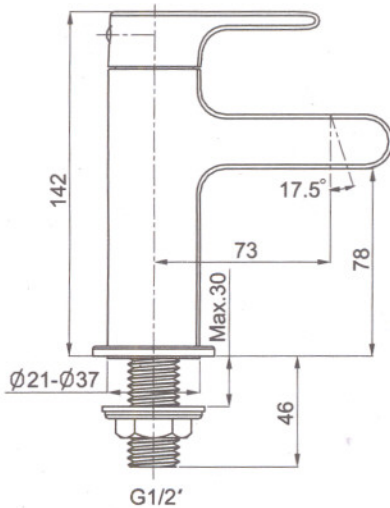
#### NOTE:

1. Flush the water supply pipes thoroughly to remove any debris.
2. For new installations, assemble faucet to basin before installing.

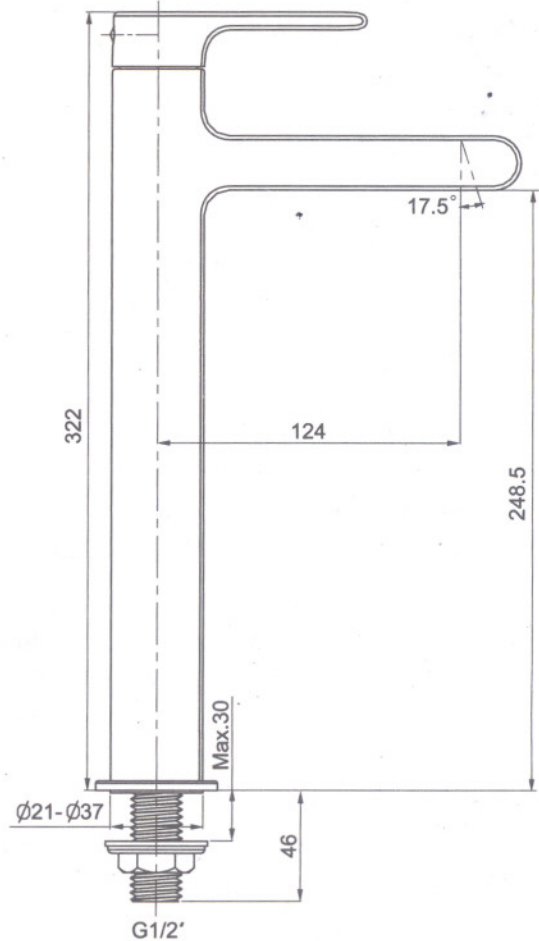
### HANDLE OPERATION

Valve/handle opens counter-clockwise and closes clockwise.

### ROUGH-IN DIMENSIONS



11545-4



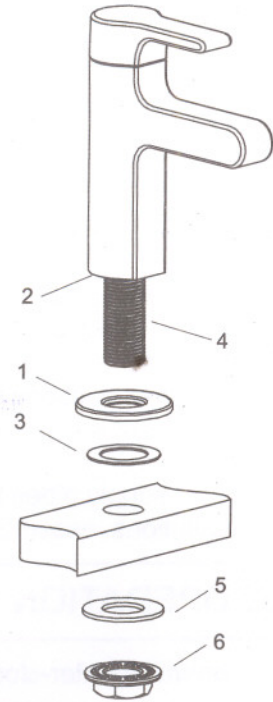
11546-4

## INSTALLATION

### How To Install The Faucet

Install the escutcheon(1) onto the faucet body base(2). Slide the adhesive washer(3) onto the underside of the escutcheon(1). Insert the inlet hose(4) of the faucet body into the basin hole.

From the underside of basin, fit the fixture washer(5) and the fixture nut(6) onto the inlet hose(4) of the faucet body. Position the faucet so that spout points to the front. Tighten fixture nut(6) to secure faucet to basin.

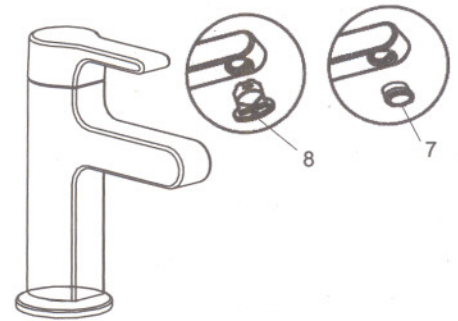


### INSTALLATION CHECKOUT

Ensure that all connections are tightened and the handle is in the off position.

Turn on the main water supply and check for leaks. Repair as required.

Remove the aerator(7) with the key(8) provided. Turn the faucet handle on. Run the water through the spout for about one minute to remove any debris. Remove debris from the aerator. Shut off the faucet and reinstall the aerator.



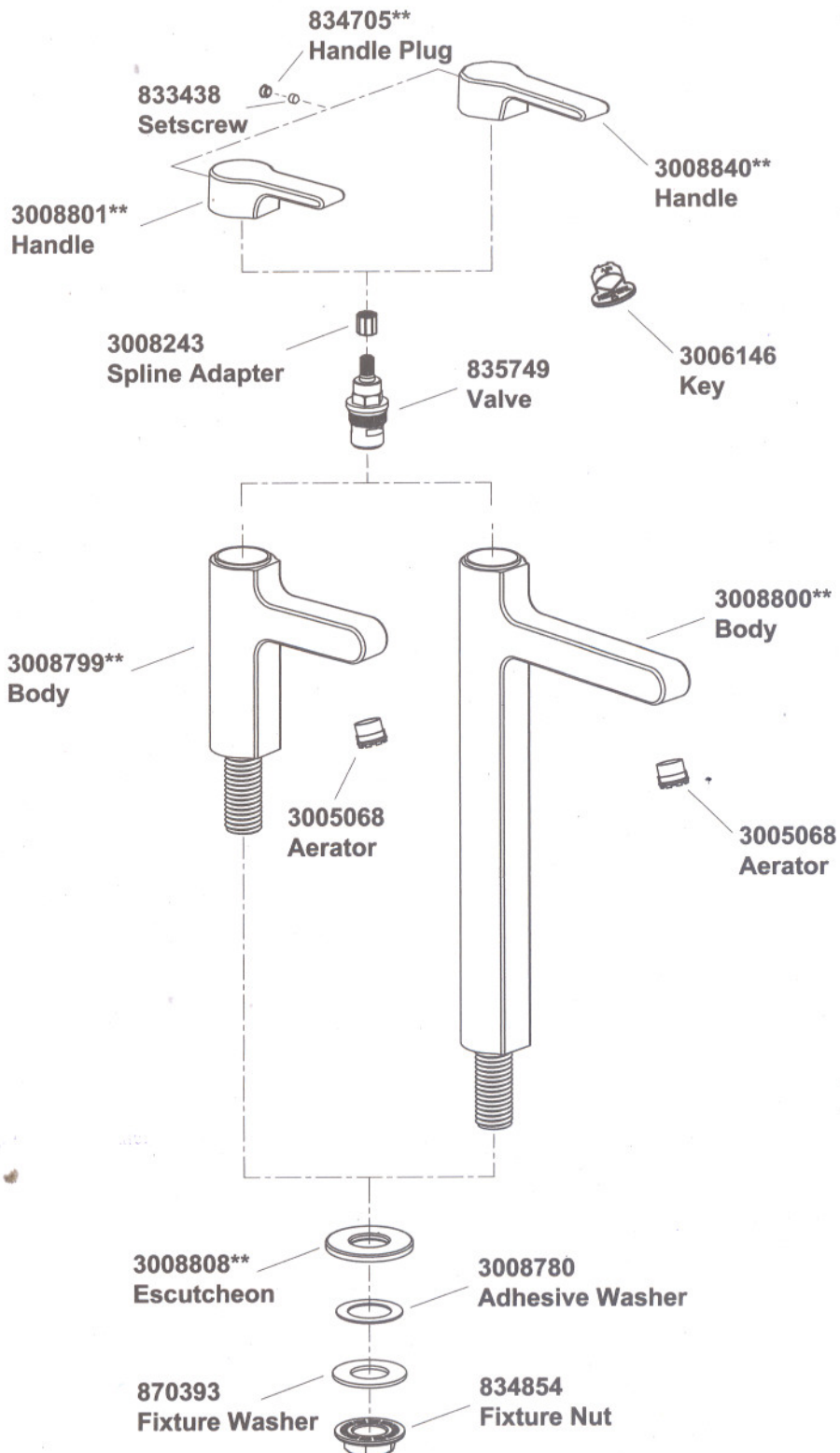
### CLEANING INSTRUCTIONS

All Finishes: Clean the finish with mild soap and warm water. Wipe entire surface completely dry with a clean soft cloth. Many cleaners may contain chemicals, such as ammonia, chlorine, toilet cleaner etc. Which could adversely affect the finish and are not recommended for cleaning.

Do not use abrasive cleaners or solvents on Kohler faucets and fittings.

11545-4  
11546-4

**BASIN PILLAR TAP**  
**TALL BASIN PILLAR TAP**



\*\*Color code must be specified when ordering