

K-11160-1/4/8 ODEON

VITREOUS CHINA
SEMI-RECESSED LAVATORY
INSTALLATION INSTRUCTIONS/TEMPLATE

520mm

CUT OUT

BEFORE YOU BEGIN

Begin you remove your old fixture, unpack the new lavatory and carefully inspect it for any damage that may have occurred. Vitreous china may chip and you do not want to discover damage after the unit has been installed. Until you are ready to begin installation, place the lavatory back in the original packing carton to prevent damage.

- All information in these instructions is based upon the latest product information available at the time of publication. Kohler Co. reserves the right to make changes in product characteristics, packaging, or availability at any time without notice.
- These instructions contain import care, cleaning, and warranty information please leave these instructions for the consumer.

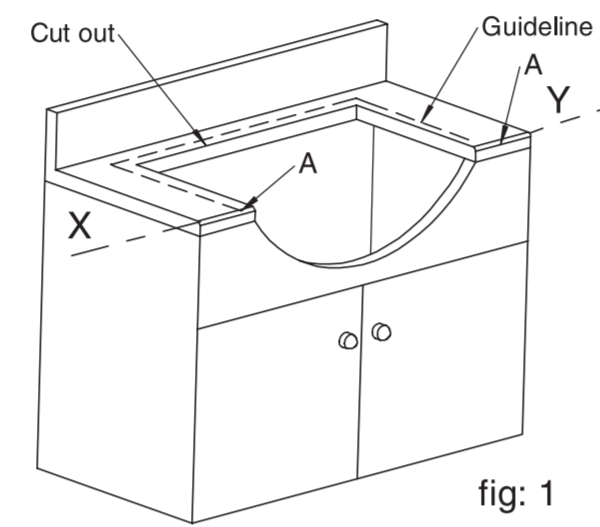


fig: 1

INSTALLATION

- Cut out template where indicated. Fold template on dotted line and place on counter top. Trace template using a soft lead pencil
- Cut out the opening in the counter top by carefully following the traced pencil line (Extra care should be used not to go below front edge)
- Temporarily place lavatory into opening and adjust for exact position
- Trace a pencil line around the outside edge of lavatory
- Remove lavatory
- Trim edge from counter top from cut at opening to the guide line as shown in A fig.1 and fig. 2 for edge
- Apply ribbon of polyseam seal on counter top to create an even strip from guide line to the opening
- Carefully place lavatory into opening and press down firmly. Use guide line to position properly immediately remove excess polyseam seal with a damp cloth
- Fix lavatory as shown in fig. 3 or 4

Recommended edge for A fig. 1

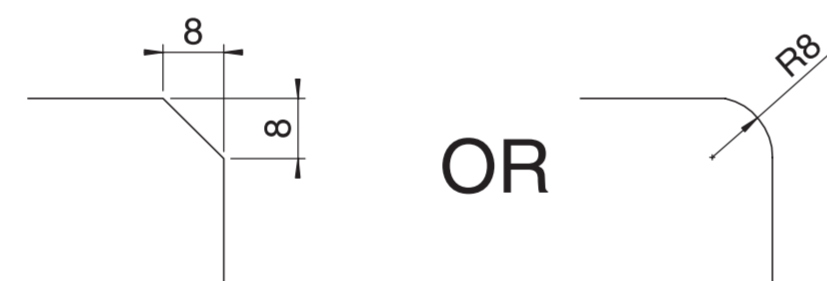


fig: 2

PLIER SUIVANT CETTE LIGNE
FOLD ALONG THIS LINE

IMPORTANT CONSUMER INFORMATION

CARE AND CLEANING

To keep your lavatory looking new, make sure you rinse it out thoroughly after each use. DO NOT USE ABRASIVES on this product, as they will scratch and ruin the surface. Stubborn stains, paint, or tar can be removed with turpentine or paint thinner.

LIMITED ONE-YEAR WARRANTY

Kohler plumbing fixtures fittings are warranted free of manufacturing defects.

Kohler Co. Will, at its election repair, replace, or make appropriate adjustment where Kohler Co. inspection disclosed any such defects occurring in normal usage within one year after installation. **Kohler Co. is not responsible for installation costs.**

To obtain warranty service, contact Kohler Co. either through your Dealer or Plumbing Contractor or by writing Kohler Co., Attn: Consumer Affairs Department, Kohler, WI 53044 U.S.A.

IMPLIED WARRANTIES, INCLUDING THAT OF MERCHANTABILITY, ARE EXPRESSLY LIMITED IN DURATION TO THE DURATION OF THIS WARRANTY. KOHLER Co. DISCLAIMS ANY RESPONSIBILITY FOR CONSEQUENTIAL DAMAGES.

Some states do not allow limitations on how long an implied warranty lasts or the exclusion or limitation of incidental or consequential damages, so this limitation and exclusion may not apply to you. This warranty gives you specific legal rights. You may also have rights which vary from state to state.

This is our exclusive written warranty.

KOHLER CO., KOHLER, WISCONSIN 53044

X

Y

143mm

505mm

Fixation standard

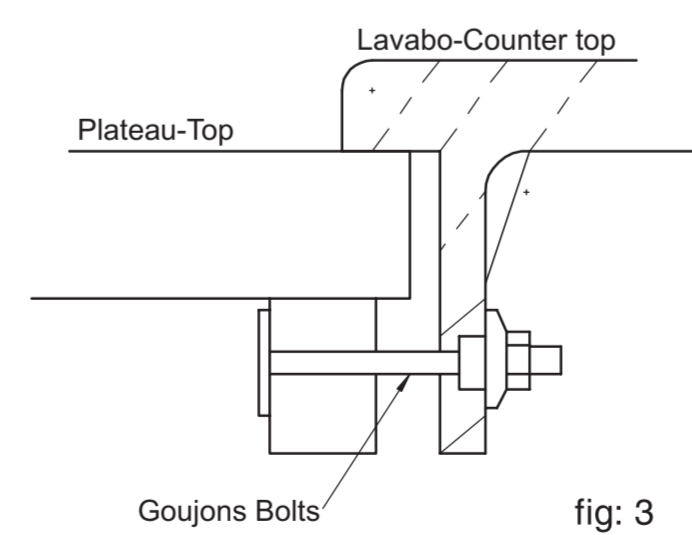


fig: 3

Fixing to wall (under marble)

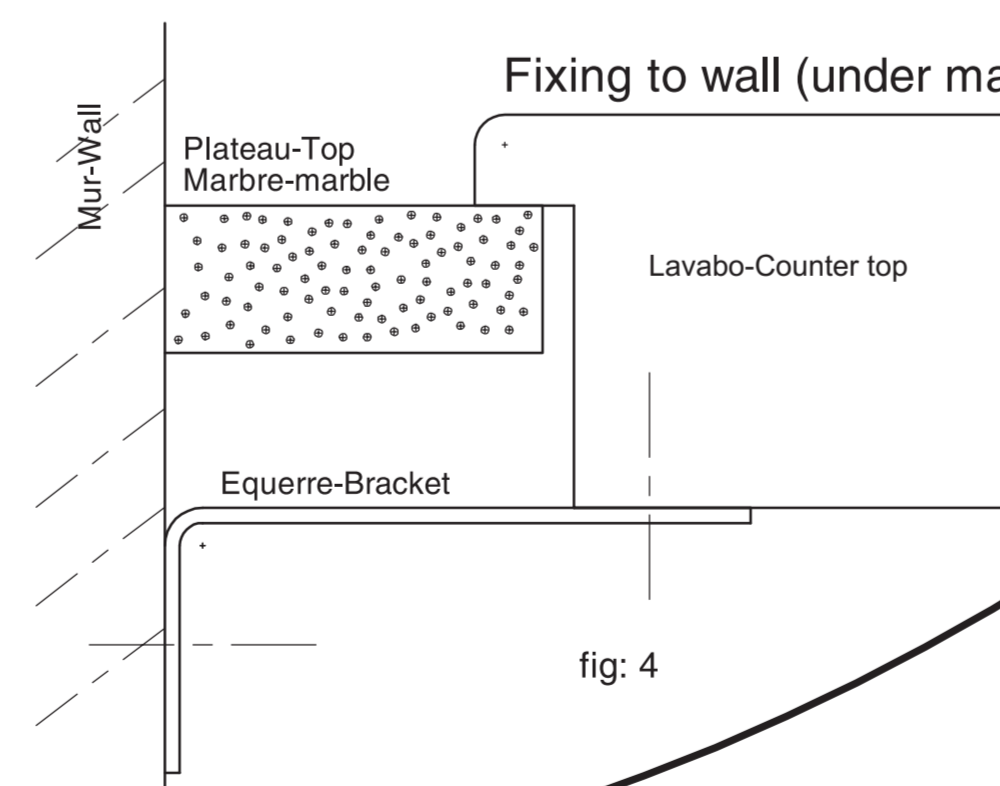


fig: 4

R250

R297

