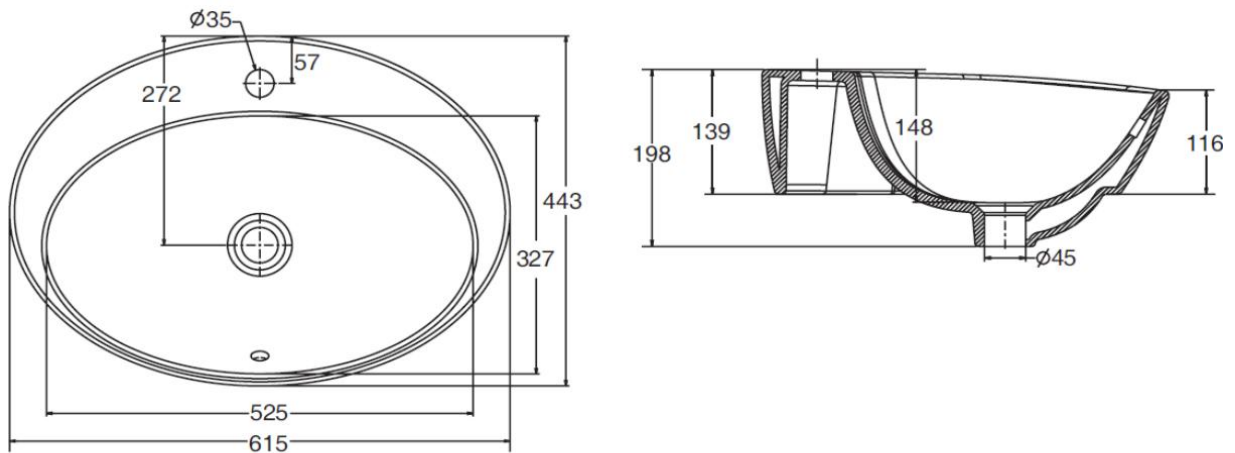


Product Specification:

Model	K-2764T-1
Installation	Above counter
Faucet Drilling	Single-hole
Overall Dimensions	615 x 443 mm
Basin Dimensions	525 x 327mm
Depth of basin	148 mm
Height of basin	198 mm
Overflow hole	Yes
Material	Vitreous China
NOTE	Available in White (0) only

Product Dimension:



K-2764T-1

Please note that the above information are subject to change without notice.