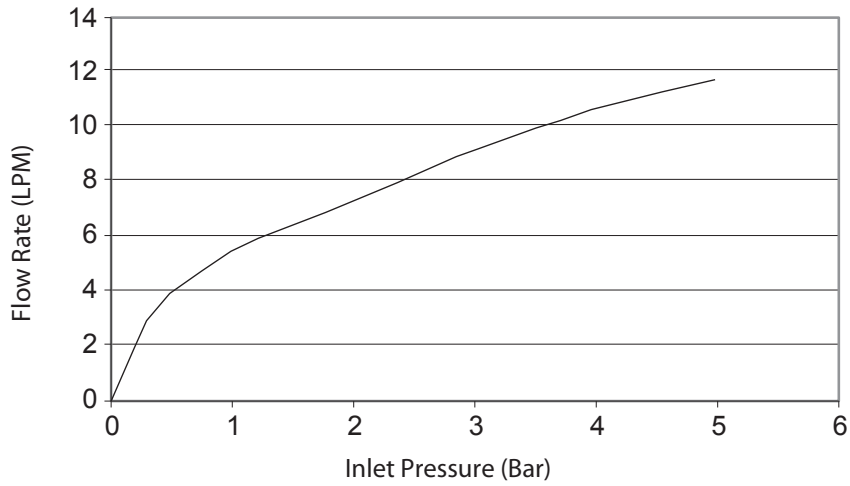


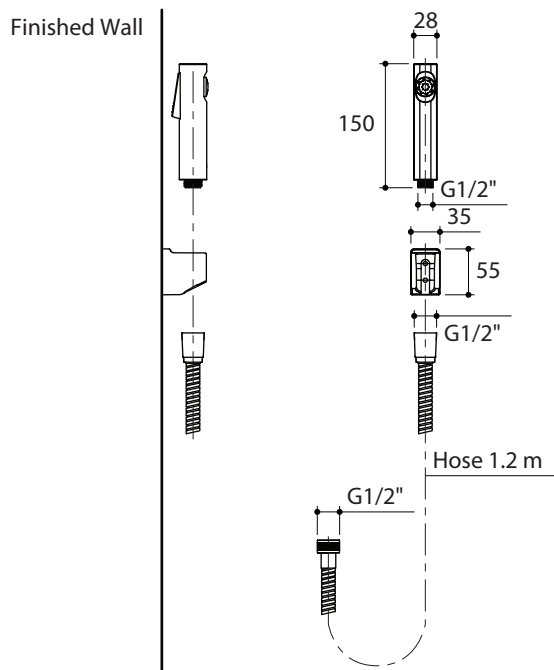
CUFF HEALTH FAUCET

Flow rates are approximate.



Flow Curve

Dimensions are approximate
Unit: mm



Product Diagram