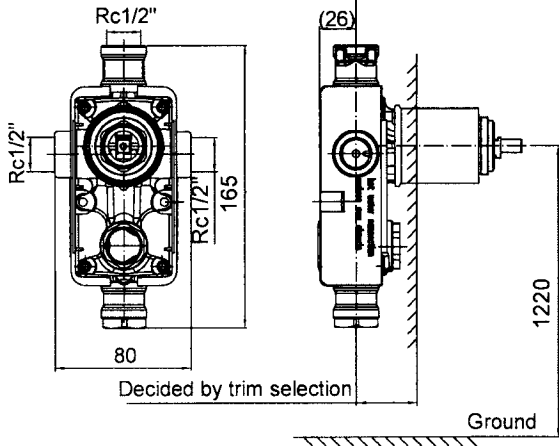


880

Centerline of valve



882

Centerline of valve

