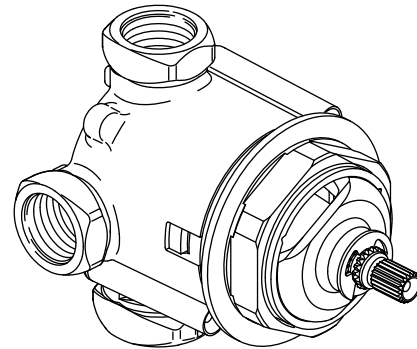


**THREE-WAY/TWO-WAY TRANSFER VALVE
K-728-K**

Features

- Brass construction
- Wall-mount
- Brass valve bodies
- Selection of one or combination of two outlets
- Single-handle control
- One 3/4" NPT inlet connection
- Three 1/2" NPT outlet connections
- Intended for use with Kohler® bath and shower supply valves
- Can be converted from 3 outlets (360° handle rotation) to 2 outlets (120° handle rotation)



Codes/Standards Applicable

- Specified model meets or exceeds the following:
- ASME A112.18.1/CSA B125.1

Colors/Finishes

- NA: None applicable

Specified Model

Model	Description	Colors/Finishes
K-728-K	Three-way/Two-way transfer valve	<input type="checkbox"/> NA

Product Specification

The single-handle wall-mount three-way/two-way transfer valve shall be made of brass construction with brass valve body. Product shall feature one 3/4" NPT inlet connection and three 1/2" NPT outlet connections. Product can be converted from 3 outlets (360° handle rotation) to 2 outlets (120° handle rotation). Product shall feature a selection of one or combination of two outlets. Product is intended for installation with any Kohler bath and shower supply valves. Transfer valve shall be Kohler Model K-728-K-NA.

MASTERSHOWER®

Installation Notes

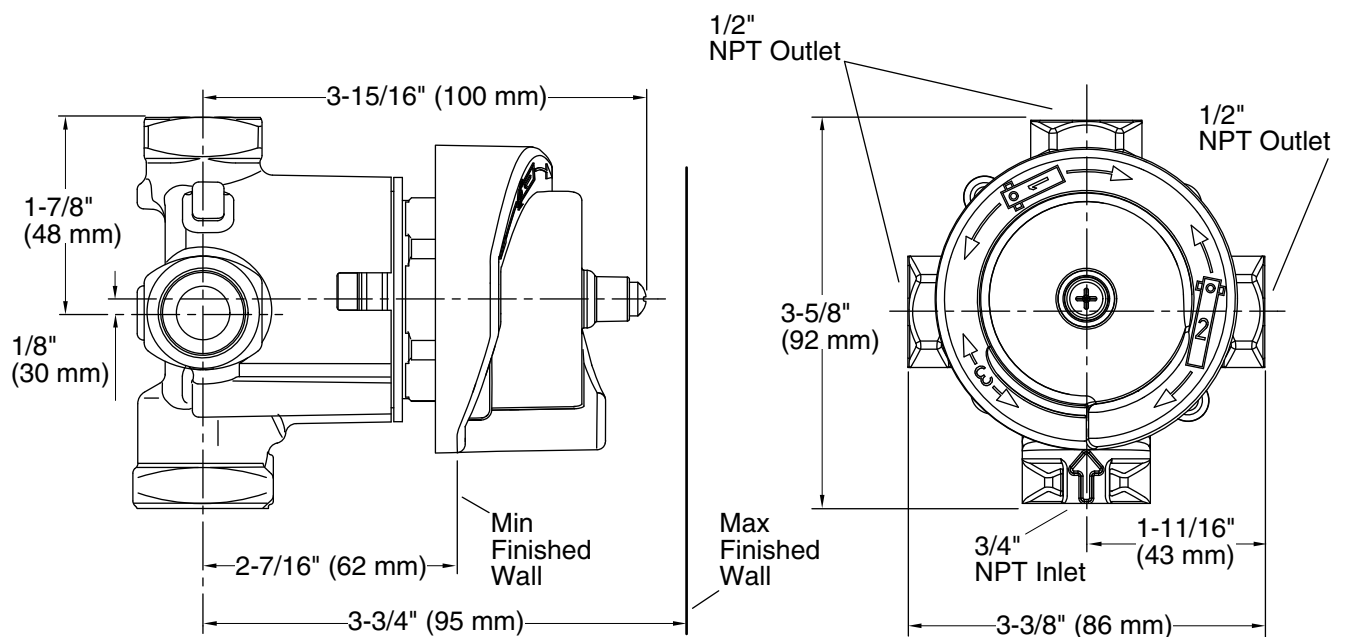
Install this product according to the installation guide.

Product is not intended for use as a shut-off valve.

Never plug an outlet port without completing the two-way conversion.

Product requires a mixed water supply to the inlet.

A 1/2"-14 NPT outlet plug is not included with this product and must be purchased separately when a two-way transfer valve is preferred.



Product Diagram