

SCALE 1:2

APPLICABLE STANDARDS:

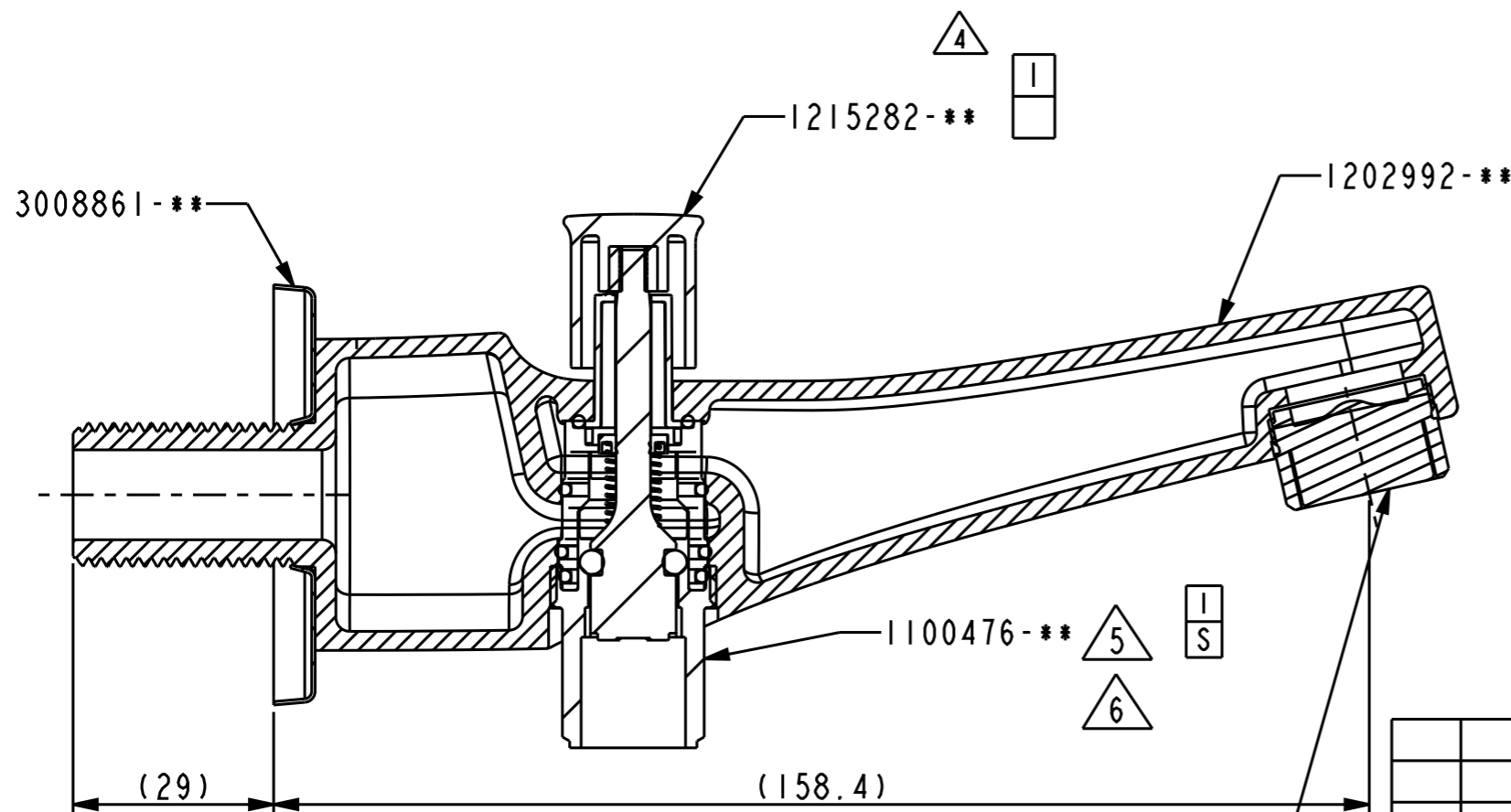
A: GF_04_002
B: HI50_001

NOTES:

1. THERE ARE 2 CUSTOMER CHARACTERISTIC SYMBOL ON THIS DRAWING (GF-04-001)
2. THERE ARE 2 SIGNIFICANT CHARACTERISTIC SYMBOL ON THIS DRAWING MARKED WITH AN "S" (GF-04-001)
3. SEALING MUST BE TESTED BEFORE SHIPPING (GF-04-002)

4. STICKING WITH "LOCTITE 243"
5. TIGHTENING TORQUE 6 ± 1 Nm
6. LUBRICATE WITH VR69-252N BEFORE ASSEMBLY

7. PACKAGING AND FINISH ARE DEFINED IN THE BOM
8. ALL DIMENSIONS ARE IN MM



SECTION A-A

2 Wrench tightened 834562-**

RELEASE FOR SAMPLES

Sht. Eff.	Rev.	Date	Made by	Approv. by	Description	PCI. #
	B	29/01/14	SUSHIL	JITENDER	View Updated & note number 3 updated	INI400093
	A	08/01/14	SUSHIL	JITENDER	1100476-**was1215280-**&1215282-** design change	INI400026
	-	26/07/13	SUSHIL	JITENDER	Drawing Made	INI300618

DWG REVISION RECORD			
Scale 1:1	Description BATH SOUT WITH DIVERTER	Unspecified general tol: ISO 2768-m From 0.5mm to 6mm: ± 0.1 mm From 6mm to 30mm: ± 0.2 mm From 30mm to 120mm: ± 0.3 mm From 120mm to 400mm: ± 0.5 mm From 0mm to 10mm: $\pm 1^\circ$; From 50mm to 120mm: $\pm 0^\circ 20'$ From 10mm to 50mm: $\pm 30'$; From 120mm to 400mm: $\pm 0^\circ 10'$	PRO-E
Format A3	KOHLER GLOBAL FAUCETS - INDIA	Drawing 53991N-**	Rev. B
CONFIDENTIAL - EXCLUSIVE PROPERTY OF KOHLER			1 of 1