

BEFORE YOU BEGIN

HOW TO USE THESE INSTRUCTIONS

Please read these instructions carefully to familiarize yourself with the required tools, materials, and installation sequences. Follow the sections that pertain to your particular installation. This will help you avoid costly mistakes. In addition to proper installation, read all operating and safety instructions.

All information in these instructions is based upon the latest product information available at the time of publication. Kohler India reserves the right to make changes in product characteristics, packaging, or availability at any time without notice.

These instructions contain important care, cleaning, and warranty information - **please leave instruction for the consumer**

SUPPLIED PARTS

- | | | | |
|-----------------|-----------------|------------------|--------------------|
| 1. 1156383..... | Strainer Assy | 4. 18376-AA..... | Urinal Spud Assy |
| 2. 1047521..... | Plastic Anchors | 5. 18766-AA..... | Urinal Outlet Assy |
| 3. 1042536..... | Screws | 6. 52046-AA..... | Hanger Assy |

TOOLS AND MATERIALS REQUIRED (NOT SUPPLIED)

10" (254MM) adjustable wrench
Metal file (file cut)
Tape measure
Tubing cutter

Level
Hacksaw
Putty knife

Screwdriver
Straight pipe coupling
Connection packing



Safety Glasses



10" Adjustable Wrench



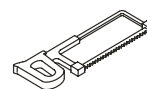
Level



Tape Measure



Sponge

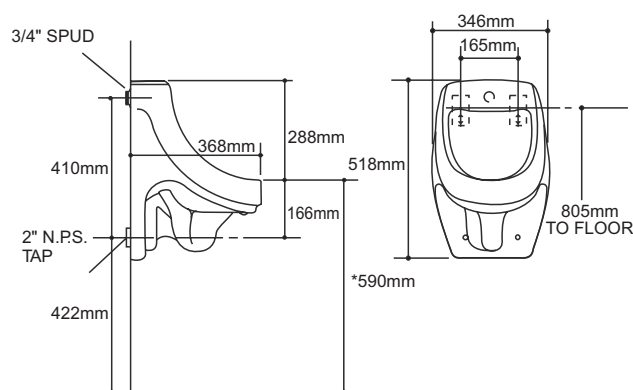


Hacksaw

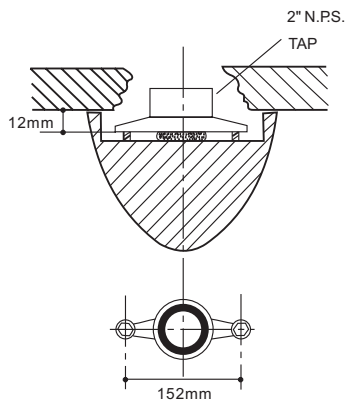
ROUGHING-IN

* Fixture dimensions are nominal and confirm to tolerances by ASME Standard A112. 19.2M.

K-5016IN-ER



ROUGH IN DIMENSIONS

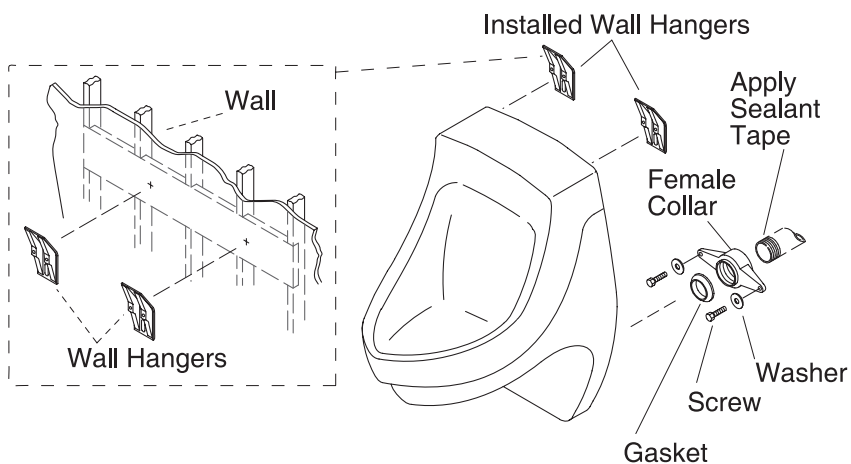


OUTLET DETAILS

INSTALLATION

1. Preparation

- Turn the water supply off.
- Install or relocate the supply tubing and waste pipe as necessary to conform to the roughing-in dimensions.
- Install the shut-off valve.
- Install adequate support framing as needed.



2. Install the Urinal

- Install the hangers according to the roughing-in illustration.
- Apply thread sealant tape to the pipe threads and install the female collar to the waste pipe.
- Place the gasket onto the female collar with the beveled surface facing away from the collar.

CAUTION: Risk of personal injury or product damage. Handle with care. Vitreous china can break or chip if the product is handled carelessly.

- Carefully position the urinal on the wall hangers.

CAUTION: Risk of product damage. Do not overtighten the screws.

- Secure the urinal to the female collar with the screws and washers.

3. Complete the Installation

- Install the flush valve according to the manufacturer's instructions.
- Connect the water supply and complete the waste pipe connections.
- Turn on the water supply.
- Flush and check the entire installation for leaks.
- Repair as needed.


IMPORTANT CONSUMER INFORMATION

CONSUMER RESPONSIBILITIES

If you live in a hard water area, make certain that the holes in the toilet rim are kept clean to ensure proper flushing. Toilet bowl cleaners should be used at least once a week. Use a into the trap as possible to prevent mineral deposits from forming.

Most toilet bowl cleaners are not harmful to the vitreous china surface of the urinal. Please follow the bowl cleaner manufacturer's instructions carefully.

Do not use abrasive cleaners or solvents.

 **WARNING: Risk of property or product damage.** Do not use in-tank cleaners. Products containing chlorine (calcium hypochlorite) can seriously damage fittings in the tank. This damage can cause leakage and property damage.

Kohler Company shall not be responsible or liable for any damage to these tank fitting caused by the use of cleaners containing chlorine (calcium hypochlorite).

India: +(91) 124-4319685/6

Toll Free: 1800 103 2244

kohler.com

THE BOLD LOOK
OF **KOHLER**®