

# KOHLER®

## INSTALLATION INSTRUCTIONS



**37305IN-4-CP**      **2 HOLES WIDESPREAD LAVATORY FAUCET WITH DRAIN**  
**37305IN-4ND-CP**    **2 HOLES WIDESPREAD LAVATORY FAUCET WITHOUT DRAIN**

### BEFORE YOU BEGIN

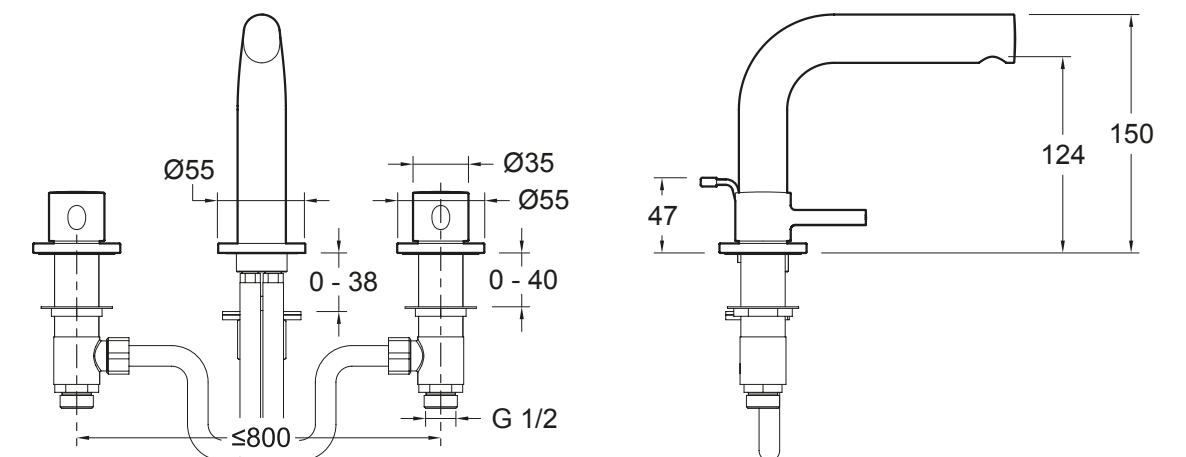
All information is based on the latest product information available at the time of publication. Kohler Co. reserves the right to make changes in product characteristics, packaging, or availability at any time without notice.

Please leave these instructions for the consumer. They contain important information.

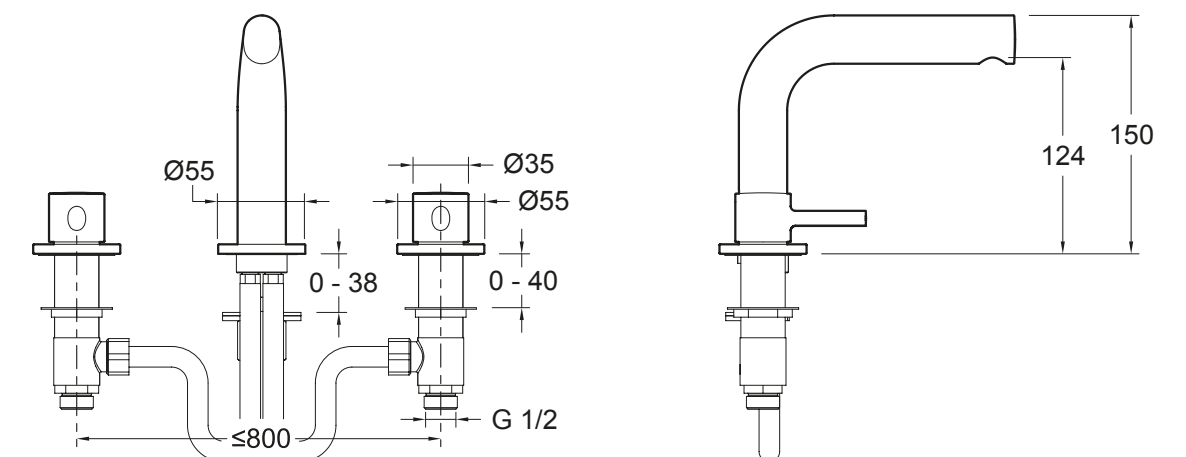
#### NOTE:

1. Flush the water supply pipes thoroughly to remove any debris.
2. Observe all local plumbing and building codes.

### ROUGH-IN DIMENSIONS



37305IN-4-CP

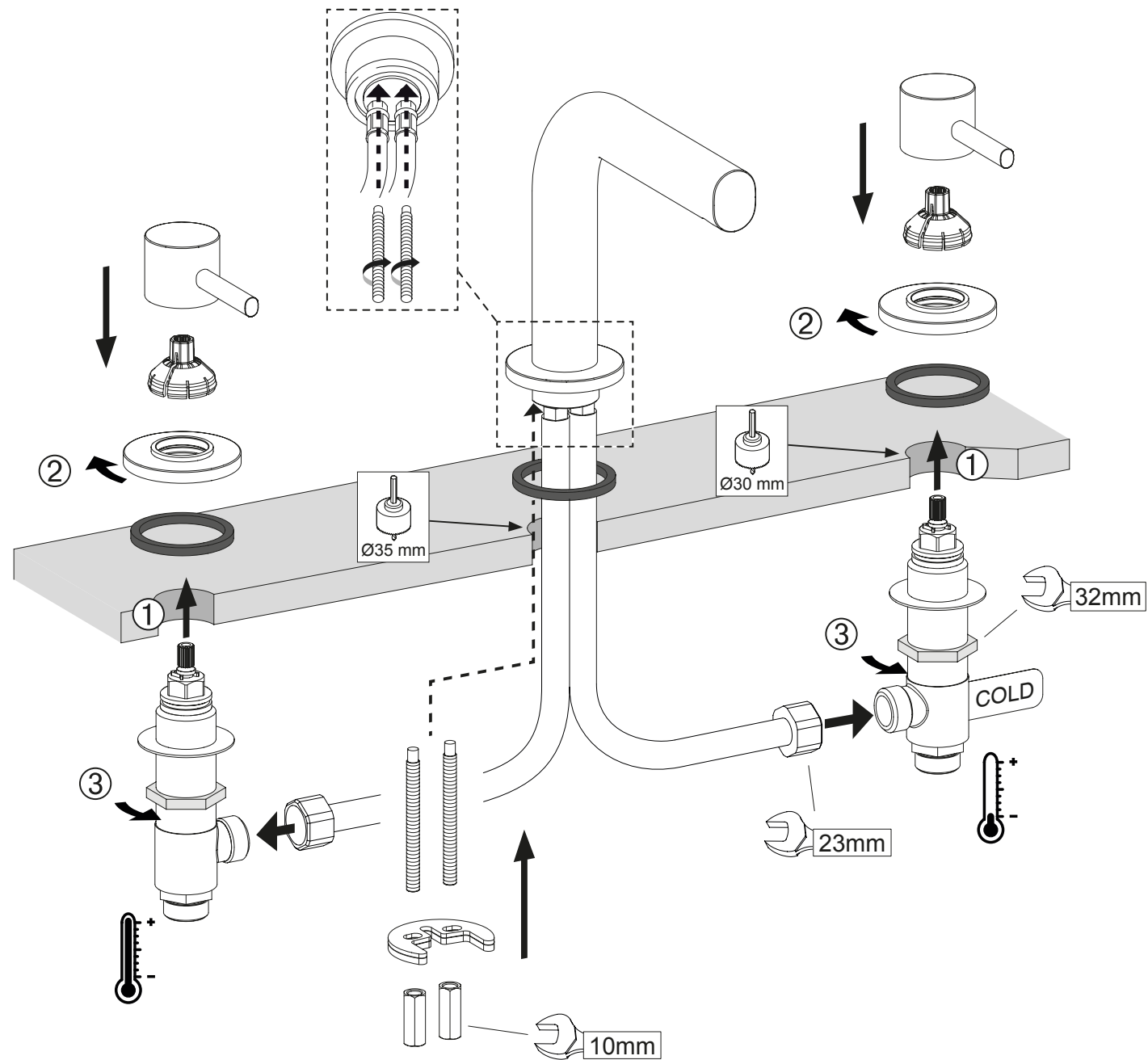


37305IN-4ND-CP

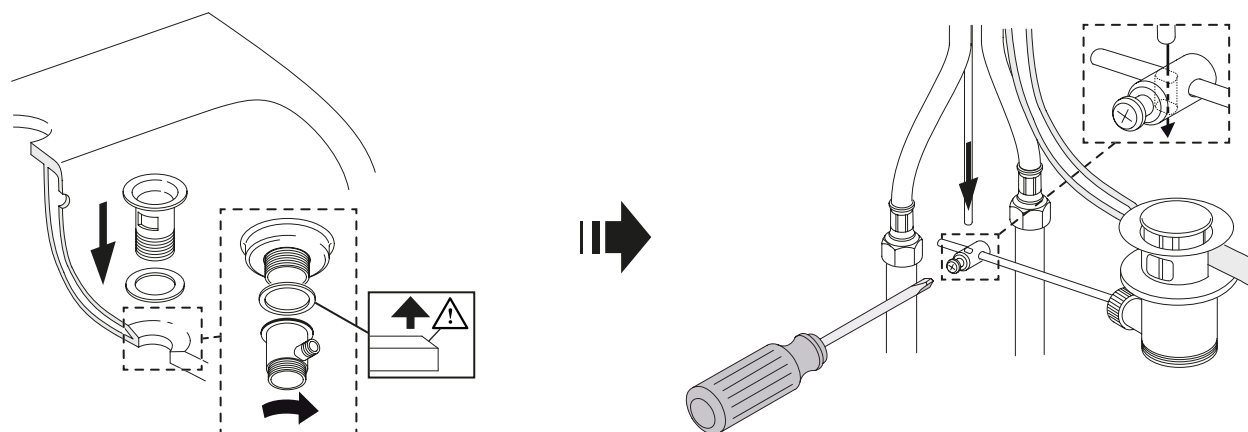
# KOHLER®

Kohler India Corporation Pvt. Ltd.  
 6th Floor, Office Block  
 Ambiance Mall, Ambi Island, NH-8  
 Gurgaon-122002  
 Haryana, India

Customer Care No : 1800 103 2244 (Toll Free) & +91-124-4319685 / 86  
 Customer Care Email : [indiacustomercare@kohler.com](mailto:indiacustomercare@kohler.com)  
[www.kohler.co.in](http://www.kohler.co.in)



MOUNTING THE DRAIN



37305IN-4-CP 2 HOLES WIDESPREAD LAVATORY FAUCET WITH DRAIN  
 37305IN-4ND-CP 2 HOLES WIDESPREAD LAVATORY FAUCET WITHOUT DRAIN

