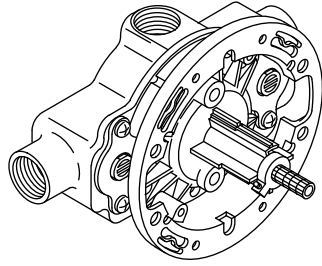


# Installation and Care Guide

## Pressure-Balancing Valve

K-2971



**M** product numbers are for Mexico (i.e. K-12345**M**)  
Los números de productos seguidos de  
**M** corresponden a México (Ej.  
K-12345**M**)  
Français, page "Français-1"  
Español, página "Español-1"

THE BOLD LOOK  
OF **KOHLER**®

1205550-2-C

# IMPORTANT INSTRUCTIONS

## READ AND SAVE FOR THE CONSUMER



**WARNING:** Risk of scalding or other severe injury.

- Before completing installation, the installer must set the maximum water temperature setting of this valve to minimize the risks associated with scalding hazards according to ASTM F 444.
- Do not install a shut-off device on either outlet of this valve. The installation of any such device may create a cross-flow condition at the valve and affect the water temperature.
- Factors that change the temperature of the water supplied to the valve, such as seasonal water temperature changes, and water heater replacement or servicing, will change the maximum water temperature supplied by the valve and may create a scalding hazard. The pressure-balanced valve **will not** compensate for changes in the water supply temperature; adjust the maximum water temperature setting of this pressure-balanced valve when such changes occur.
- Pressure-balanced valves may not provide protection against scalding if there is a failure of other temperature-limiting devices elsewhere in the plumbing system.

**NOTICE:** Only apply silicone based lubricants to these valves. Do not use petroleum based lubricants. Petroleum based lubricants will harm the O-rings, seals, and plastic components.

**The installer is responsible for installing the valve and adjusting the maximum water temperature of this pressure-balanced valve according to instructions.**

**This valve meets or exceeds ASME A112.18.1/CSA B125.1 and ASSE 1016/ASME A112.18.1016/CSA B125.16.**

If you do not understand any of the installation or temperature adjustment instructions in this document, in the United States please contact our Customer Care Center at **1-800-4KOHLER**. Outside the U.S., please contact your distributor.

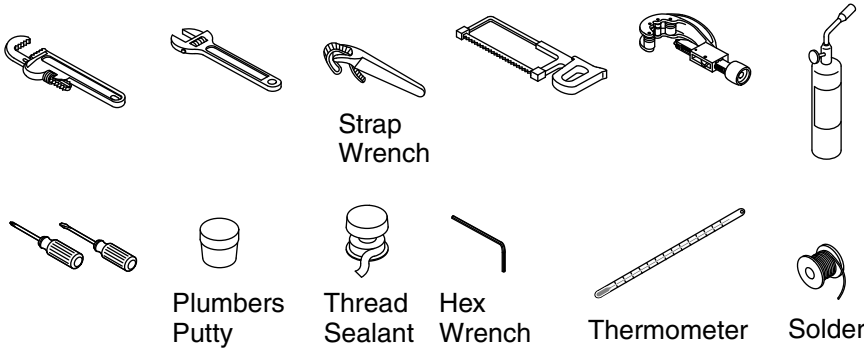
**IMPORTANT NOTICE TO INSTALLERS!** Please fill in the blanks in the adjacent box and on the valve label. Then insert these instructions into the plastic bag included with the valve package, and attach the plastic bag to the valve handle for the homeowner's reference.

## IMPORTANT INSTRUCTIONS (cont.)

**NOTICE TO HOMEOWNERS!** This device has been preset by \_\_\_\_\_ of \_\_\_\_\_ to ensure a safe maximum temperature. Any change in the setting may raise the discharge temperature above the limit considered safe, and lead to scalds.

Date: \_\_\_\_\_

### Tools and Materials



### Before You Begin

**CAUTION: Risk of product damage.** When using this valve in a fiberglass or acrylic installation, use the thin wall installation kit (88526).

**CAUTION: Risk of product damage.** This valve contains plastic and rubber components. Do not apply excessive heat to the valve body when soldering.

**CAUTION: Risk of product damage.** Do not apply flux or acids directly to the valve, as damage may result.

**CAUTION: Risk of product damage.** Do not apply petroleum-based lubricants to the valve components, as damage may result.

**IMPORTANT!** The installer is responsible for installing the valve and adjusting the maximum water temperature of this valve according to instructions.

## Before You Begin (cont.)

**NOTE:** For service parts information, visit your product page at [www.kohler.com/serviceparts](http://www.kohler.com/serviceparts).

- Observe all local plumbing and building codes.
- This valve requires a minimum operating pressure of 15 psi (103.4 kPa).
- The valve shuts off by water pressure. Do not force the handle in any direction. To turn the valve off, gently turn it to the "Off" position.
- Flush all pipes thoroughly after installing the valve body.
- If inlet conditions differ from those used during factory calibration, it may be necessary to re-calibrate the valve after installation.
- Do not use plastic piping between the valve and the spout. Kohler Co. recommends the use of 3/4" copper tube. Iron pipe is not recommended.
- This valve does not have an integral aspirator. For installations that use a bath diverter spout, you must install a twin ell (K-9663) with integral aspirator between the valve and the bath spout. If these thermostatic mixing valves are installed without an aspirator it will cause water to flow from the shower and bath spout at the same time.

## 1. Prepare the Site

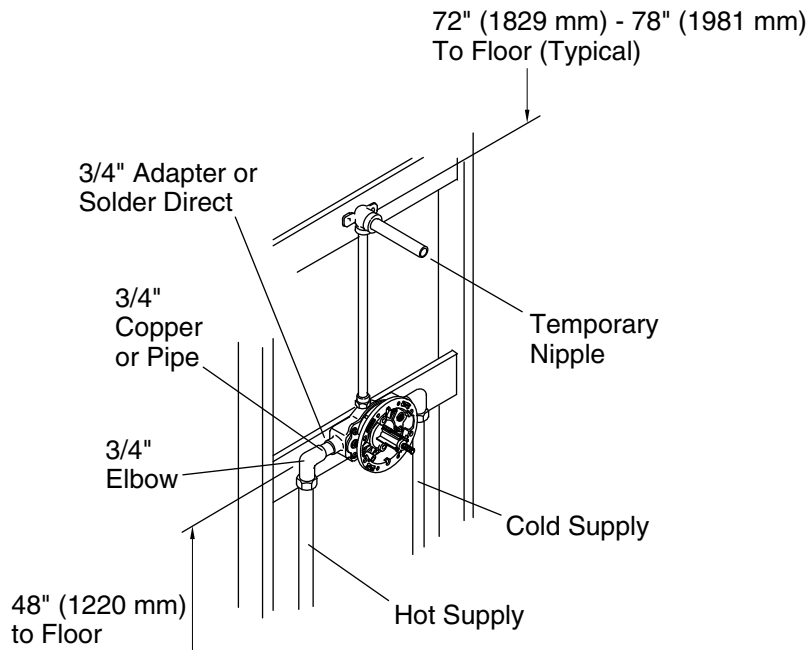
**IMPORTANT!** If the bath has been installed, cover it to prevent damage to the bath surface.

### Rough Plumbing

- Shut off the water supply.
- Install or relocate the supplies as necessary.

### Support Framing

- Determine the location of the valve, and install the support framing.

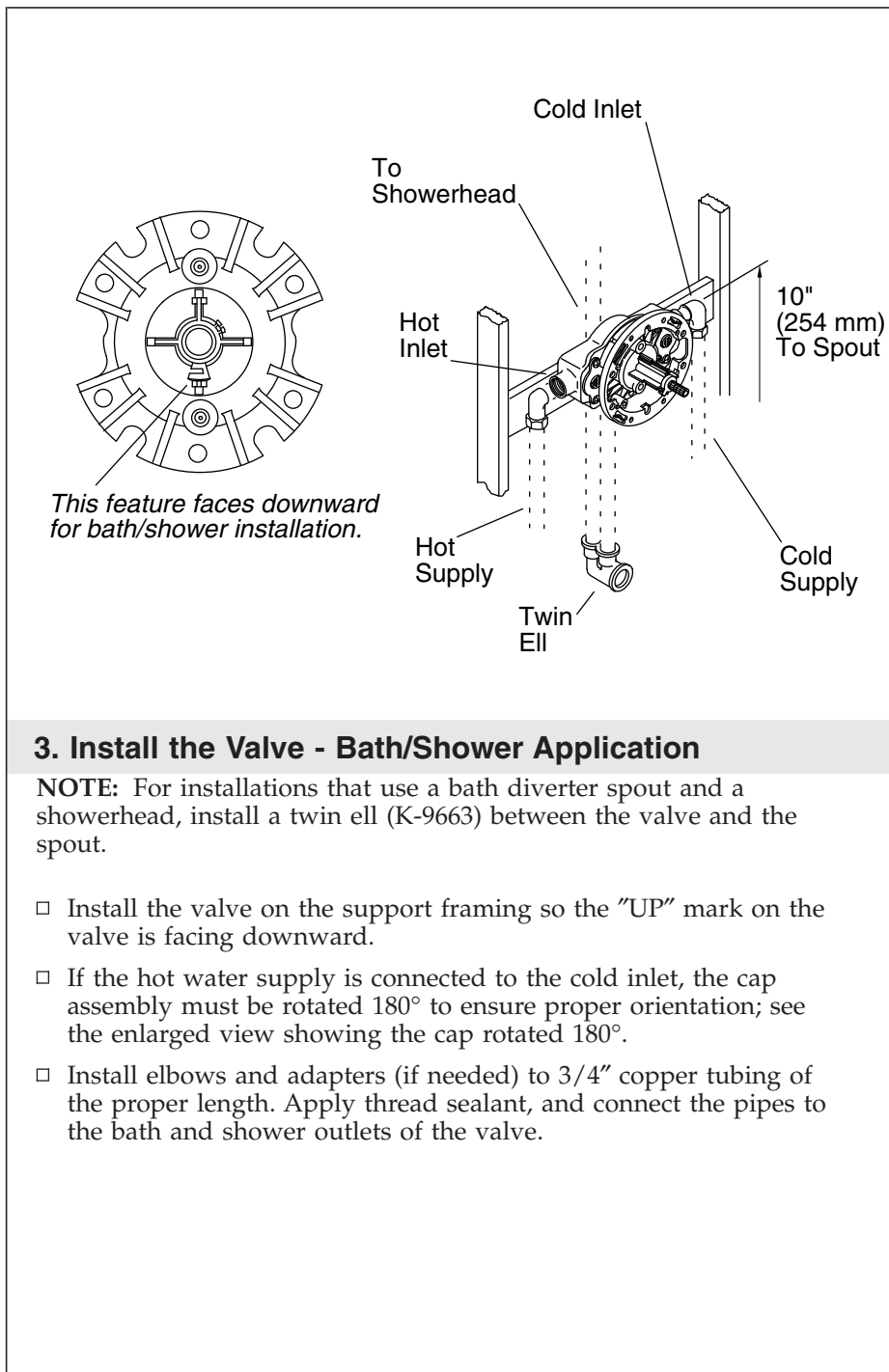


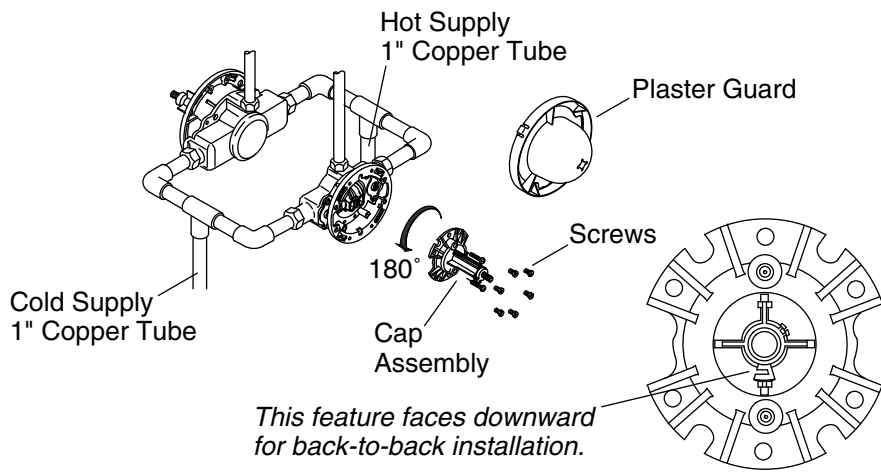
## 2. Install the Valve - Single Showerhead Only

- Install the valve on the support framing so the "UP" mark on the valve is facing upward.
- Connect the water supplies to the valve body using elbows, 3/4" copper tubing or pipe, and adapters (if needed). Use thread sealant on all threaded connections.

**IMPORTANT!** Secure the pipes to the framing.

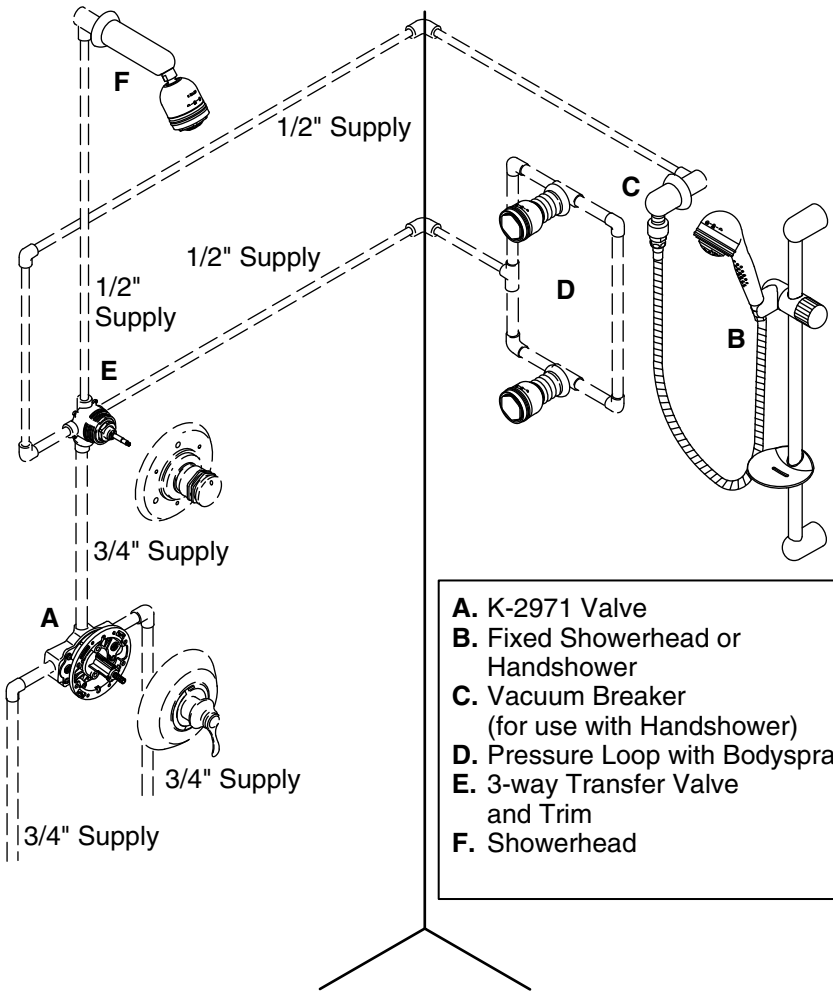
- Temporarily install a 1/2" nipple to the shower elbow so it extends at least 2" (51 mm) beyond the finished wall.





#### 4. Back-to-Back Valve Installation

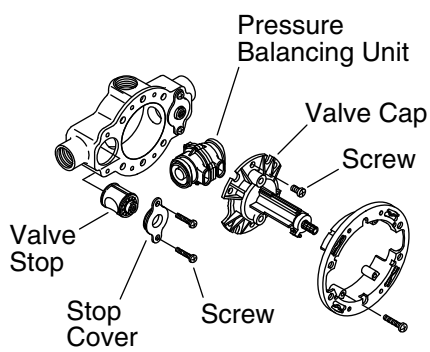
- ❑ Install both valves following the valve installation instructions. The supplies to one of the valves will be reversed.
- ❑ Remove the plaster guard, cap, cap assembly, and collar from the valve with the reversed supply connections.
- ❑ Rotate the cap assembly and collar 180° (tab on bottom). Reassemble and securely tighten the screws on the cap assembly.
- ❑ Reinstall the plaster guard.



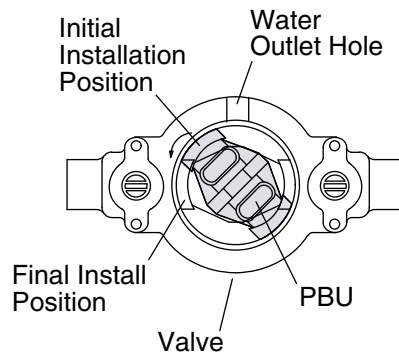
- A.** K-2971 Valve
- B.** Fixed Showerhead or Handshower
- C.** Vacuum Breaker (for use with Handshower)
- D.** Pressure Loop with Bodysprays
- E.** 3-way Transfer Valve and Trim
- F.** Showerhead

**5. Multi-Showerhead Layout**





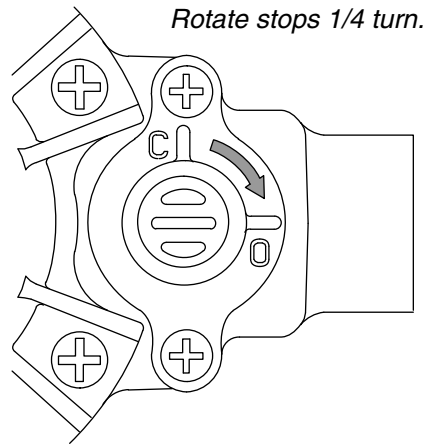
**Valve Assembly**



**PBU Installation**

## 6. Flush the Pipes

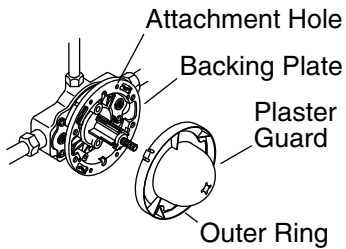
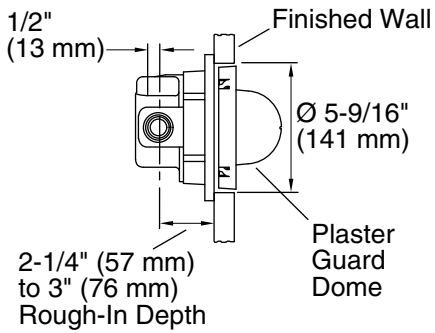
- Disassemble the valve as shown to remove the internal components.
- Slowly open the water supplies to run water through the supply pipes and valve body to remove any debris.
- Inspect the two inlet seals of the pressure balancing unit (PBU). If the seals are damaged, replace them with the provided extra inlet seals. Lubricate the seals using the capsule provided.
- To reinstall the PBU, push it into the valve in the initial installation position with the nuts on the PBU toward the hot inlet. Make sure the PBU seals do not come in contact with the inlet/outlet holes during initial installation because their rough edges may damage the seals.
- Rotate the PBU counterclockwise while applying downward pressure until it is seated in the seating indents on the bottom of the valve. The PBU should not rotate when it is properly seated.
- Reassemble the remaining valve components as shown.



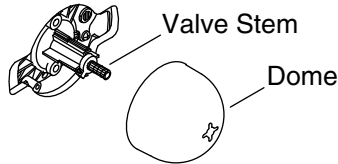
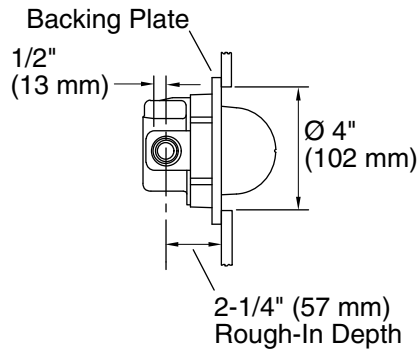
## 7. Installation Checkout

- Install caps to the temporary bath and shower nipples.
- Turn on the hot and cold water supplies, and check the new installation for leaks.
- Remove the caps from the temporary nipples.
- Remove the plaster guard.
- Turn the valve stem to the "On" position, and cycle the control through its operating range. Check for leaks.
- For bath and shower installations, check the diverter system from spout to showerhead.
- Turn the valve off.
- If the valve has stops, rotate both stop adjustments fully clockwise.
- Turn the valve on and verify that water does not run.
- Turn the valve off and rotate both stop adjustments fully counterclockwise.
- Reinstall the plaster guard.

### Thick Wall



### Thin Wall



## 8. Complete the Finished Wall

**CAUTION: Risk of product damage.** This valve contains plastic and rubber components that may become damaged if soldering heat is applied directly to the valve body.

**CAUTION: Risk of damage to the K-2971-KS valve assembly.** When using the K-2971-KS HiFlow Valve in a fiberglass or acrylic installation, use the Thin Wall Installation Kit (88526).

**NOTE:** Thick wall installations are typically tile, plaster, marble, or similar materials. Thin wall installations are typically fiberglass and acrylic.

**NOTE:** Do not adjust the maximum water temperature at this time.

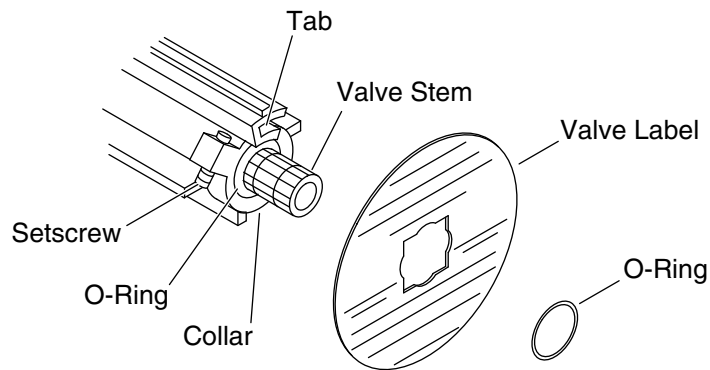
### Thick Wall Installation

- Provide a 5-9/16" (141 mm) diameter hole in the wall material. The flat front surface of the plaster guard must be flush with the finished wall.
- Complete the finished wall.
- Do not remove the plaster guard until instructed.

## **Complete the Finished Wall (cont.)**

### **Thin Wall Installation**

- Remove the plaster guard from the backing plate.
- Twist the plaster guard dome to separate it from the outer ring.  
Discard the outer ring.
- Slide the dome over the valve stem.
- Provide a 4" (102 mm) diameter hole in the wall material.
- Make openings for the stops (if included) by using the holes in the backing plate as a guide.
- Secure the backing plate to the back of the wall material.
- Do not remove the dome until instructed to do so.



## 9. Hot Temperature Limit Adjustment



**CAUTION: Risk of personal injury.** To eliminate the risk of scalding, the water temperature should never be set above 120°F (49°C).

**NOTE:** Do not remove the O-ring and collar at this time. Removing the O-ring and collar will change the factory setting for the maximum water temperature.

- Turn the valve clockwise to the full open position and let the hot water run for several minutes. Position a thermometer in the water stream and check the temperature.
- For **minor water temperature changes**, adjust the setscrew and recheck the water temperature.
- For **major water temperature changes**, remove the O-ring and collar from the valve stem. Slowly rotate the valve stem until the desired maximum water temperature is reached.
- Reinstall the collar on the valve stem with the setscrew against the side of the tab.
- Reinstall the O-ring. Rotate the valve stem counterclockwise to shut the water off.
- Recheck the water temperature.
- Install the valve trim.
- Complete the information on the valve label (if supplied).

## Warranty

### **KOHLER® Faucet Lifetime Limited Warranty**

Kohler Co. warrants its Faucets\* manufactured after January 1, 1997, to be leak and drip free during normal residential use for as long as the original consumer purchaser owns his or her home. If the Faucet should leak or drip during normal use, Kohler Co. will, free of charge, mail to the purchaser the cartridge necessary to put the Faucet in good working condition. This warranty applies only to Kohler Faucets installed in the United States of America, Canada or Mexico ("North America").

Kohler Co. also warrants all other aspects of the faucet or accessories ("Faucet")\*, (except gold, non-Vibrant®, non-chrome finishes) to be free of defects in material and workmanship during normal residential use for as long as the original consumer purchaser owns his or her home. This warranty applies only to Kohler Faucets installed in North America. If a defect is found in normal residential use, Kohler Co. will, at its election, repair, provide a replacement part or product, or make appropriate adjustment. Damage to a product caused by accident, misuse, or abuse is not covered by this warranty. Improper care and cleaning will void the warranty\*\*. Proof of purchase (original sales receipt) must be provided to Kohler Co. with all warranty claims. Kohler Co. is not responsible for labor charges, installation, or other incidental or consequential costs. In no event shall the liability of Kohler Co. exceed the purchase price of the Faucet.

If the Faucet is used commercially or is installed outside of North America, or if the finish is gold, non-Vibrant or a painted or powder coated color finish, Kohler Co. warrants the Faucet to be free from defects in material and workmanship for one (1) year from the date the product is installed, under Kohler Co.'s standard one-year limited warranty.

If you believe that you have a warranty claim, contact Kohler Co., either through your Dealer, Plumbing Contractor, Home Center or E-tailer, or by writing Kohler Co., Attn.: Customer Care Center, 444 Highland Drive, Kohler, WI 53044, USA. Please be sure to provide all pertinent information regarding your claim, including a complete description of the problem, the product, model number, color, finish, the date the product was purchased and from whom the product was purchased. Also include your original invoice. For other information, or to obtain the name and address of the service and repair facility nearest you, call 1-800-4-KOHLER (1-800-456-4537) from within the USA and Canada, and 001-800-456-4537 from within Mexico, or visit [www.kohler.com](http://www.kohler.com) within the USA, [www.ca.kohler.com](http://www.ca.kohler.com) from within Canada, or [www.mx.kohler.com](http://www.mx.kohler.com) in Mexico.

**KOHLER CO. AND/OR SELLER ARE PROVIDING THESE**

**Warranty (cont.)**

**WARRANTIES IN LIEU OF ALL OTHER WARRANTIES, EXPRESSED OR IMPLIED, INCLUDING BUT NOT LIMITED TO THE IMPLIED WARRANTIES OF MERCHANTABILITY AND FITNESS FOR A PARTICULAR PURPOSE. KOHLER CO. AND/OR SELLER DISCLAIM ALL LIABILITY FOR SPECIAL, INCIDENTAL OR CONSEQUENTIAL DAMAGES. Some states/provinces do not allow limitations of how long an implied warranty lasts or the exclusion or limitation of such damages, so these limitations and exclusions may not apply to you. This warranty gives the consumer specific legal rights. You may also have other rights that vary from state/province to state/province.**

**This is Kohler Co.'s exclusive written warranty.**

\*Trend® faucets, MasterShower® tower, BodySpa systems and components; WaterHaven® tower, systems and components; Tripoint® faucets, Polished Gold, non-Vibrant and painted or powder coated finishes, fittings; all items within the "Fixture Related" section of the Kohler Faucets Price Book, drains, Duostrainer® sink strainers, soap/lotion dispensers, Moxie® Wireless Speaker; and faucets used in commercial settings, and outside North America, are covered by Kohler Co.'s one-year limited warranty.

\*\*Never use cleaners containing abrasive cleansers, ammonia, bleach, acids, waxes, alcohol, solvents or other products not recommended for chrome. This will void the warranty.

# Guide d'installation et d'entretien

## Robinet d'équilibrage de pression

### INSTRUCTIONS IMPORTANTES

#### LIRE ET CONVERSER POUR LE CONSOMMATEUR



**AVERTISSEMENT:** Risque de brûlures ou d'autres blessures graves.

- Avant de commencer l'installation, l'installateur doit régler la température maximale de l'eau de ce régulateur afin de réduire au minimum les risques associés aux dangers de brûlures selon la norme ASTM F 444.
- Ne pas installer de dispositif d'arrêt sur les sorties de ce robinet. L'installation d'un tel dispositif peut créer une condition de débit croisé au niveau du robinet et peut modifier la température de l'eau.
- Les facteurs qui changent la température de l'eau fournie à ce robinet, tels que les changements de température d'eau saisonniers, et le remplacement ou l'entretien du chauffe-eau, changeront la température maximale de l'eau fournie par la vanne et pourront présenter un danger de brûlures. Le robinet à pression autorégularisée **ne compense pas** les changements de température de l'eau fournie; lorsque de tels changements ont lieu, régulariser la température maximale de l'eau de ce robinet à pression autorégularisée.
- Les robinets à pression autorégularisée peuvent ne pas assurer une protection contre les brûlures en cas de défaillance d'autres dispositifs de limitation de température installés ailleurs sur le réseau de plomberie.

**AVIS:** Seuls des lubrifiants à base de silicone peuvent être appliqués sur ces robinets. Ne pas utiliser de lubrifiants à base de pétrole. Des lubrifiants à base de pétrole endommageront les joints toriques, les joints d'étanchéité et les composants en plastique.



## INSTRUCTIONS IMPORTANTES (cont.)

L'installateur est responsable de l'installation du robinet et du réglage de la température maximale de l'eau de ce robinet à pression autorégularisée conformément aux instructions.

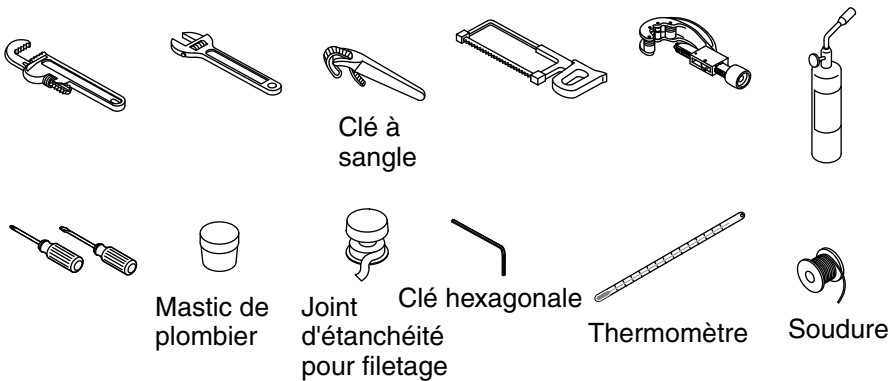
Ce robinet est conforme aux normes ASME A112.18.1/CSA B125.1 et ASSE 1016/ASME A112.18.1016/CSA B125.16.

Si les instructions d'installation ou de réglage de la température fournies dans le présent document ne sont pas bien comprises, contacter notre centre de service clientèle aux États-Unis à **1-800-4KOHLER**. En-dehors des É.-U., contacter le distributeur

**AVIS IMPORTANT AUX INSTALLATEURS!** Remplir les vides dans la boîte adjacente ainsi que sur l'étiquette de la vanne. Insérer ensuite ces instructions dans le sac en plastique inclus dans l'emballage du robinet et attacher le sac au levier du robinet à titre de référence pour le propriétaire.

**AVIS AUX PROPRIÉTAIRES!** Ce dispositif a été pré-réglé par \_\_\_\_\_ de \_\_\_\_\_ pour assurer une température maximale sécurisée. Toute modification de ce réglage peut augmenter la température d'évacuation au-delà de la limite considérée comme étant sécuritaire et causer des brûlures.  
Date: \_\_\_\_\_

## Outils et matériaux



## Avant de commencer

**ATTENTION: Risque d'endommagement du produit.** Lors de l'emploi de ce robinet dans une installation en fibres de verre ou en acrylique, utiliser le kit d'installation de mur fin (88526).

## Avant de commencer (cont.)

**ATTENTION: Risque d'endommagement du produit.** Ce robinet contient des composants en plastique et en caoutchouc. Ne pas appliquer de la chaleur excessive au corps du robinet pendant le soudage.

**ATTENTION: Risque d'endommagement du produit.** Ne pas appliquer de flux ni d'acides directement sur le robinet, car il pourrait en résulter des dommages.

**ATTENTION: Risque d'endommagement du produit.** Ne pas appliquer de lubrifiants à base de pétrole sur les composants du robinet, étant donné que ceci pourrait créer des dommages.

**IMPORTANT!** L'installateur est responsable de l'installation du robinet et du réglage de la température maximale de l'eau de ce robinet conformément aux instructions.

**REMARQUE:** Pour tout renseignement sur les pièces de rechange, visiter la page du produit sur le site [www.kohler.com/serviceparts](http://www.kohler.com/serviceparts).

- Respecter tous les codes de plomberie et de bâtiment locaux.
- Ce robinet requiert une pression opérationnelle de 15 psi (103,4 kPa).
- Le robinet se ferme sous l'effet de la pression d'eau. Ne pas forcer la poignée dans une quelconque direction. Pour fermer la poignée, la tourner doucement jusqu'en position "Off".
- Purger toute la tuyauterie avec soin avant d'installer le corps de robinet.
- Si les conditions d'entrée diffèrent de celles utilisées pendant l'étalonnage en usine, il sera peut-être nécessaire d'effectuer un nouvel étalonnage du robinet après l'installation.
- Ne pas utiliser de tubulures en plastique entre le robinet et le bec. Kohler Co. recommande l'utilisation d'un tuyau en cuivre de 3/4". La tuyauterie en acier n'est pas recommandée.
- Ce robinet n'est pas muni de dispositif d'aspiration intégré. Pour des installations utilisant un bec inverseur de baignoire, il est nécessaire d'installer un coude jumelé (K-9663) avec dispositif d'aspiration intégré entre le robinet et le bec de la baignoire. Si ces robinets mélangeurs thermostatiques sont installés sans dispositif d'aspiration, l'eau s'écoulera en même temps par la douche et le bec de baignoire.

## 1. Préparer le site

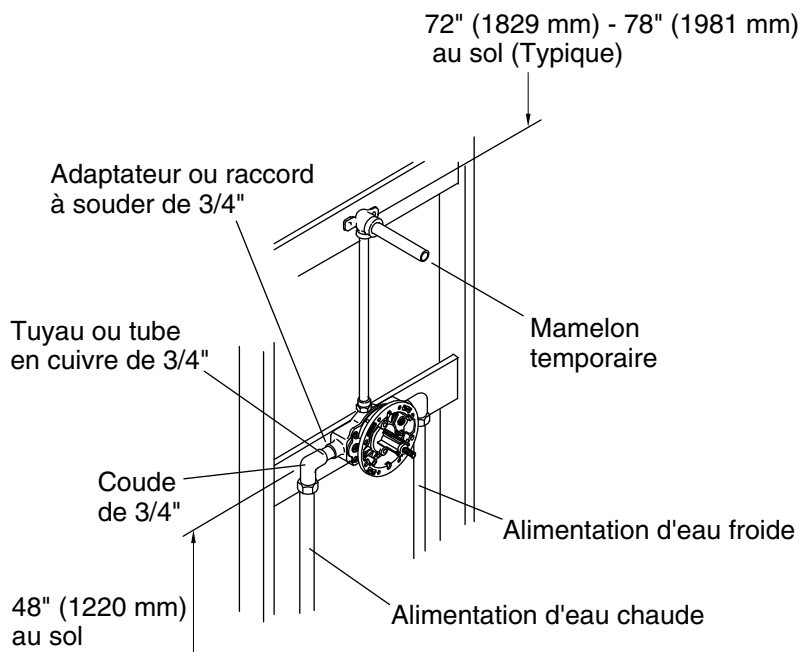
**IMPORTANT!** Si la baignoire est déjà installée, la recouvrir pour éviter d'en endommager la surface.

### Plomberie de raccordement

- Fermer l'arrivée d'eau.
- Installer ou déplacer les alimentations si nécessaire.

### Cadrage de support

- Déterminer l'emplacement du robinet et installer le cadrage de support.

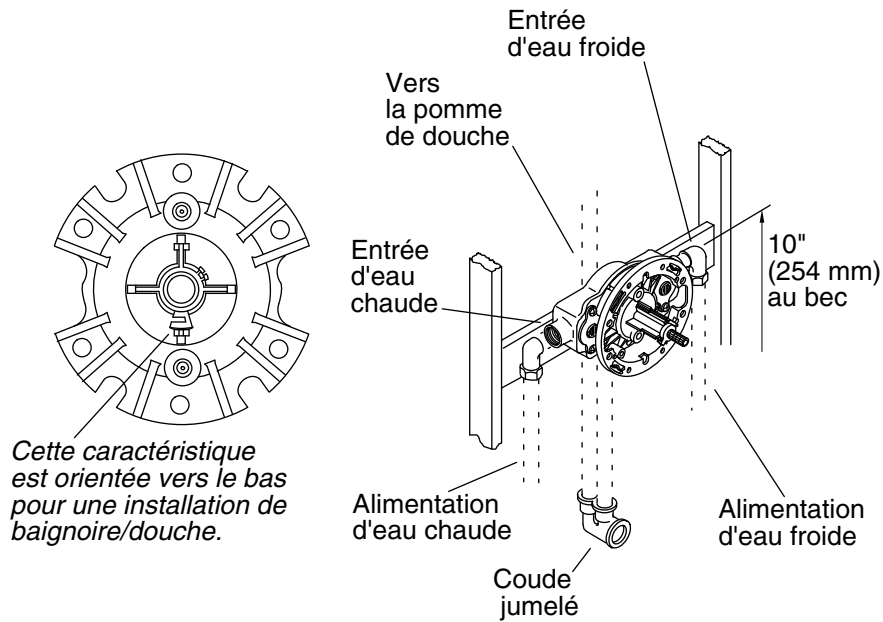


## 2. Installer le robinet - Pomme de douche unique

- Installer le robinet sur le cadrage de support avec le marquage "UP" du robinet vers le haut.
- Connecter les conduites d'alimentation d'eau au corps de robinet au moyen de coudes, tuyaux ou tubes en cuivre de 3/4" et adaptateurs (au besoin). Utiliser du ruban d'étanchéité pour filets sur toutes les raccords filetés.

**IMPORTANT!** Fixer la tuyauterie en place sur le cadrage.

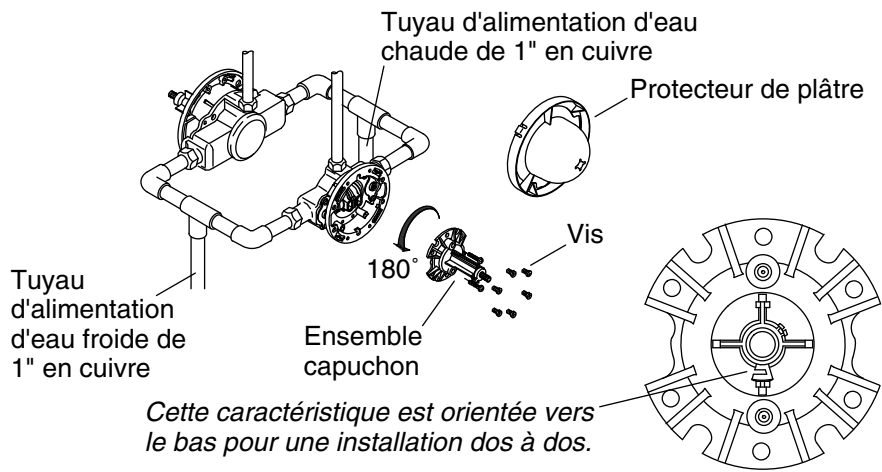
- Installer provisoirement sur le coude de la douche un mamelon de 1/2" dépassant d'au moins 2" (51 mm) du mur fini.



### 3. Installation du robinet - Application baignoire/douche

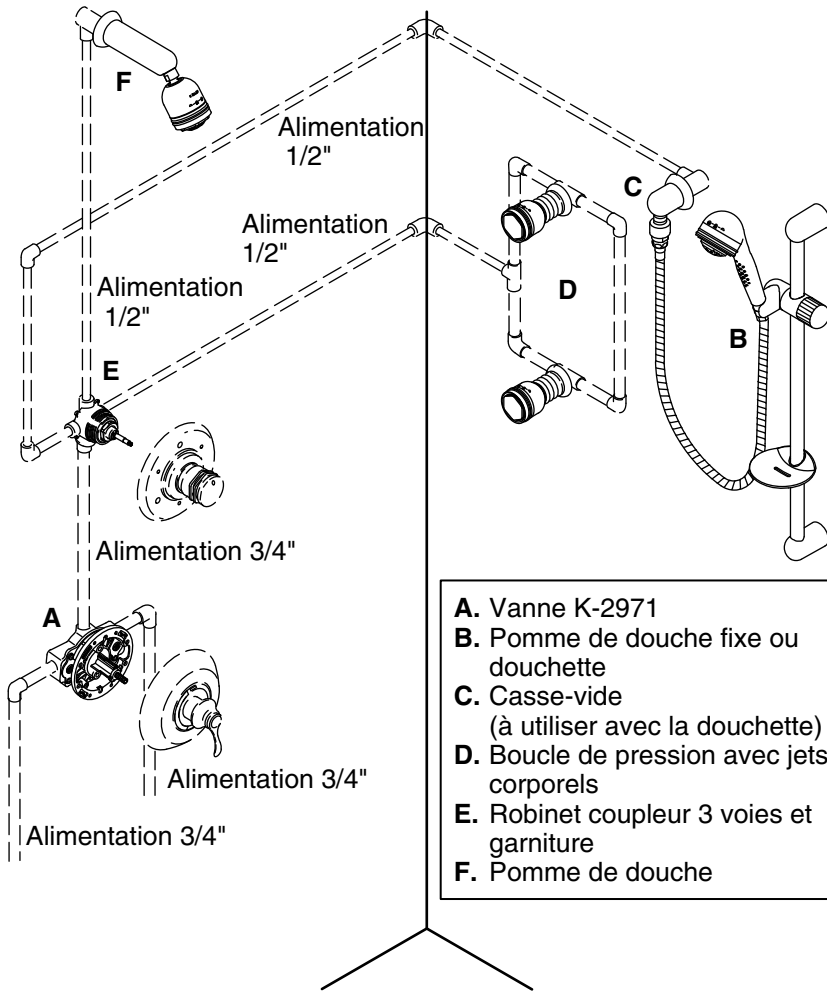
**REMARQUE:** Pour les installations utilisant un bec inverseur de baignoire et une pomme de douche, installer un coude jumelé (K-9663) entre le robinet et le bec.

- Installer le robinet sur le cadrage de support avec le marquage "UP" du robinet vers le bas.
- Si l'alimentation d'eau chaude est raccordée à l'entrée d'eau froide, tourner le couvercle de 180° pour assurer la bonne orientation (voir la vue agrandie illustrant le couvercle tourné de 180°).
- Poser des coudes et adaptateurs (selon les besoins) sur des tubes en cuivre de 3/4" de longueur appropriée. Appliquer du ruban d'étanchéité sur le filetage et raccorder la tuyauterie aux sorties de baignoire et de douche du robinet.



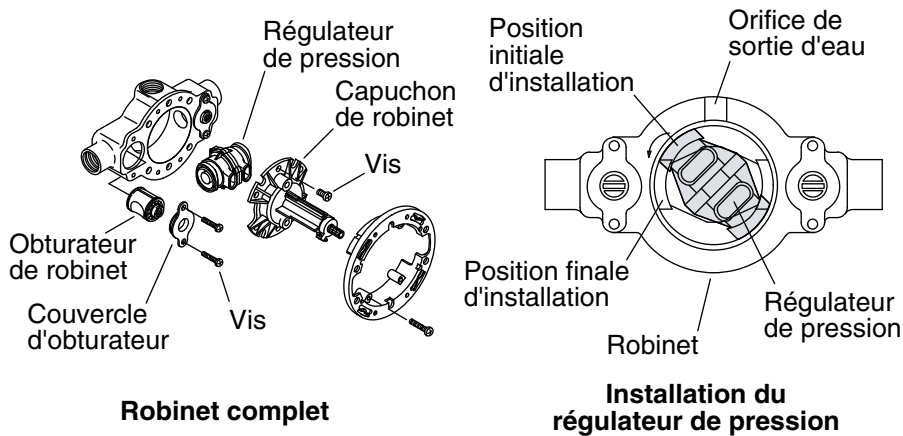
#### 4. Installation du robinet dos-à-dos

- Installer les deux robinets conformément aux instructions. Les arrivées vers l'un des robinets seront inversées.
- Retirer le protège-plâtre, le capuchon et son ensemble ainsi que le collier du robinet dont les raccords d'alimentation sont inversés.
- Pivoter l'ensemble capuchon et le collier de 180° (languette en bas). Remonter et bien serrer les vis sur l'ensemble de capuchon.
- Réinstaller le protecteur de plâtre.



- A.** Vanne K-2971
- B.** Pomme de douche fixe ou douchette
- C.** Casse-vide (à utiliser avec la douchette)
- D.** Boucle de pression avec jets corporels
- E.** Robinet coupleur 3 voies et garniture
- F.** Pomme de douche

**5. Configuration à plusieurs pommes de douche**

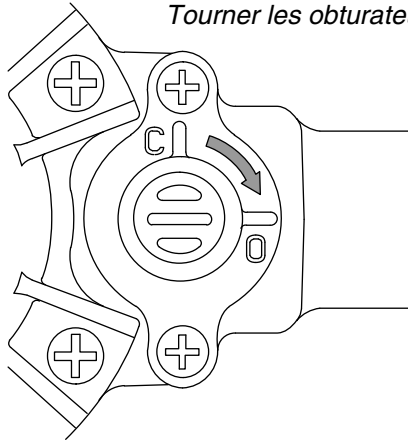


## 6. Purger les tuyaux

- Démontez le robinet comme sur l'illustration pour déposer les composants internes.
- Ouvrir lentement les alimentations d'eau pour faire couler l'eau à travers les tuyaux d'alimentation et le corps de robinet afin d'éliminer tous les débris.
- Inspecter les deux joints d'admission du régulateur de pression (PBU). Si les joints sont endommagés, les remplacer par les joints supplémentaires fournis. Lubrifier les joints en utilisant la capsule fournie.
- Pour remonter le régulateur de pression, l'enfoncer dans le robinet dans sa position d'installation initiale avec les écrous du régulateur dirigés vers l'orifice d'entrée d'eau chaude. S'assurer que les joints du régulateur ne touchent pas les orifices d'entrée/sortie pendant l'installation initiale car leurs rebords rugueux pourraient endommager les joints.
- Pivoter le régulateur de pression vers la gauche en appuyant fermement et l'engager à fond dans les entailles de blocage au bas du robinet. Le régulateur de pression ne doit pas tourner s'il est correctement en place.
- Remonter les composants restants du robinet comme sur l'illustration.



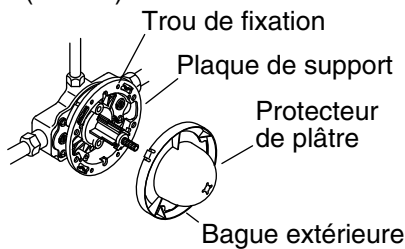
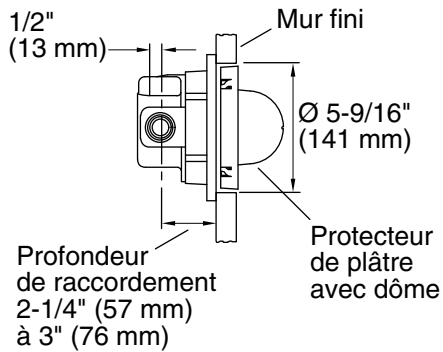
Tourner les obturateurs de 1/4 de tour.



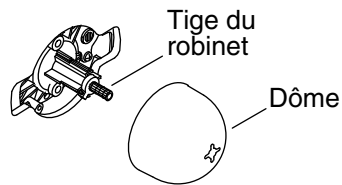
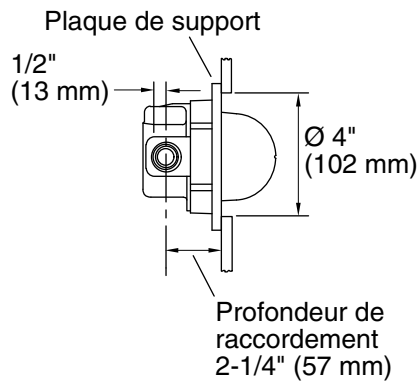
## 7. Vérification de l'installation

- Installer des capuchons sur les mamelons temporaires de la baignoire et de la douche.
- Ouvrir les alimentations d'eau chaude et froide et vérifier l'étanchéité de la nouvelle installation.
- Retirer les capuchons des mamelons temporaires.
- Retirer le protège-plâtre.
- Tourner la tige de vanne jusqu'en position "On" et actionner la commande sur toute sa plage de fonctionnement. Rechercher des fuites.
- Pour les installations à baignoire et douche, vérifier le système inverseur entre le bec et la pomme de douche.
- Fermer le robinet.
- Si le robinet comporte des obturateur intégrés, tourner les deux complètement dans le sens des aiguilles d'une montre.
- Ouvrir le robinet et vérifier si l'eau ne s'écoule pas.
- Fermer le robinet et tourner les deux obturateurs intégrés complètement dans le sens inverse des aiguilles d'une montre.
- Réinstaller le protecteur de plâtre.

## Mur épais



## Mur mince



## 8. Terminer le mur fini

**ATTENTION: Risque d'endommagement du produit.** Ce robinet contient des composants en plastique et en caoutchouc susceptibles d'être endommagés si de la chaleur de soudure est appliquée directement sur le corps de robinet.

**ATTENTION: Risque d'endommagement du robinet K-2971-KS.** Lorsque le robinet haut débit K-2971-KS est utilisé dans une installation en fibres de verre ou en acrylique, utiliser le kit d'installation pour mur fin (88526).

**REMARQUE:** Les installations sur mur épais sont généralement du carrelage, plâtre, marbre, ou matériaux similaires. Les installations sur mur fin sont généralement de la fibre de verre et de l'acrylique.

**REMARQUE:** Ne pas régler la température maximale de l'eau à ce moment.

### Installation sur mur épais

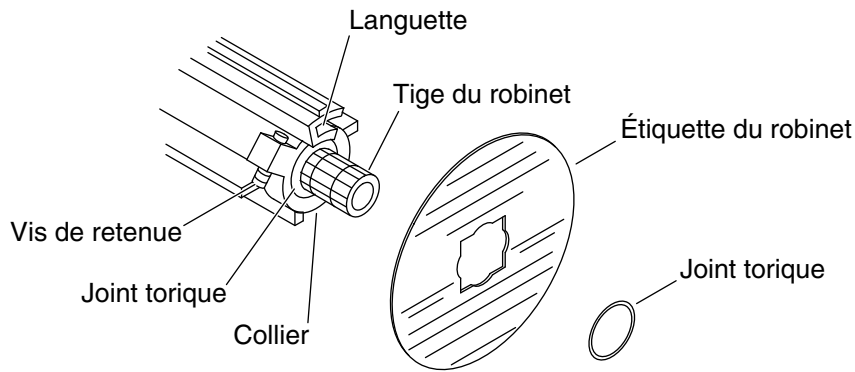
- Prévoir un orifice de 5-9/16" (141 mm) diamètre dans le matériau du mur. La surface avant plate du protecteur de plâtre doit être dans le plan du mur fini.

### **Terminer le mur fini (cont.)**

- Terminer la finition murale.
- Ne pas retirer le protecteur de plâtre avant d'en recevoir l'instruction.

### **Installation sur mur fin**

- Retirer le protecteur de plâtre de la plaque de support.
- Faire tourner le dôme du protecteur de plâtre pour le séparer de la bague externe. Jeter la bague externe.
- Enfiler le dôme sur la tige de la vanne.
- Prévoir un orifice de Ø 4" (102 mm) dans le matériau du mur.
- Pratiquer des ouvertures pour les obturateurs d'arrêt (le cas échéant) en utilisant les orifices de la plaque de support comme guide.
- Fixer la plaque de support au dos le matériau du mur.
- Ne pas enlever le dôme avant d'en recevoir l'instruction.



## 9. Réglage de la température limite de l'eau chaude



**ATTENTION: Risque de blessures.** Pour éliminer les risques de brûlures, la température de l'eau ne devrait jamais être réglée au-dessus de 120°F (49°C).

**REMARQUE:** Ne pas retirer le joint torique ou le collier pour le moment. Retirer le joint torique changerait le réglage d'usine de la température maximale de l'eau.

- Tourner le robinet dans le sens des aiguilles d'une montre jusqu'en position ouverte et laisser couler l'eau chaude pendant quelques minutes. Placer un thermomètre dans le courant d'eau et vérifier la température.
- Pour les **petits changements de température de l'eau**, ajuster la vis d'arrêt et révérifier la température de l'eau.
- Pour les **changements importants de température de l'eau**, retirer le joint torique et le collier de la tige de la vanne. Tourner lentement la tige du robinet jusqu'à atteindre la température maximale souhaitée.
- Réinstaller le collier sur la tige du robinet de manière à placer la vis de retenue contre la languette.
- Réinstaller le joint torique. Tourner la tige de la vanne dans le sens inverse des aiguilles d'une montre pour couper l'eau.
- Vérifier à nouveau la température de l'eau.
- Installer la garniture de robinetterie.

## Réglage de la température limite de l'eau chaude (cont.)

- Compléter l'information sur l'étiquette du robinet (le cas échéant).

## Garantie

### Garantie limitée à vie du robinet KOHLER®

Kohler Co. garantit que les robinets\* fabriqués après le 1er janvier 1997 ne fuient pas et ne gouttent pas lors d'une utilisation domestique normale, aussi longtemps que l'acquéreur d'origine demeure propriétaire de son domicile. Si le robinet goutte ou présente des fuites lors d'une utilisation normale, Kohler Co. enverra par courrier à l'acheteur, sans frais, la cartouche nécessaire pour réparer le robinet. La présente garantie s'applique uniquement aux robinets Kohler installés aux États-Unis, au Canada ou au Mexique ("Amérique du Nord").

Kohler Co. garantit également toutes les autres caractéristiques du robinet ou des accessoires ("Robinet")\*, (à l'exception des finitions dorées, non-Vibrant®, non chromées) contre tout vice de matériau et de fabrication lors d'une utilisation domestique normale, aussi longtemps que l'acquéreur d'origine demeure propriétaire de son domicile. La présente garantie s'applique uniquement aux robinets Kohler installés en Amérique du Nord. Si un vice est décelé lors d'une utilisation domestique normale, Kohler Co. choisira, à sa discrétion, la réparation, le remplacement ou la rectification appropriée. Cette garantie n'offre pas de protection contre les dommages dus à un accident, une mauvaise utilisation ou un mauvais traitement. Un entretien et un nettoyage inadéquats annulent la garantie\*\*. Une preuve d'achat (ticket de caisse d'origine) doit être présentée à Kohler Co. avec toutes les réclamations au titre de la garantie. Kohler Co. n'est pas responsable des frais de main-d'œuvre, d'installation ou de tout autre frais particulier, accessoire ou indirect. La responsabilité de Kohler Co. ne dépassera en aucun cas le prix d'achat du robinet.

Si le robinet est utilisé dans un commerce ou s'il est installé en dehors d'Amérique du Nord, ou si la finition est dorée, non-Vibrant, peinte ou revêtue d'une poudre, Kohler Co. garantit le robinet contre tout vice de matériau et de fabrication pendant un (1) an à partir de la date d'installation du produit, selon les modalités de la garantie limitée standard d'un an de Kohler Co.

Pour toute réclamation au titre de la présente garantie, contacter Kohler Co. par l'intermédiaire du vendeur, plombier, centre de rénovation ou revendeur par internet, ou bien par écrit à l'adresse suivante Kohler Co., Attn.: Customer Care Center, 444 Highland Drive, Kohler, WI 53044, USA. Fournir tous les renseignements pertinents à la réclamation, dont notamment une description complète du problème et

## **Garantie (cont.)**

du produit, le numéro de modèle, la couleur, la finition, la date et le lieu d'achat du produit. Joindre également l'original de la facture. Pour de plus amples renseignements ou pour obtenir les coordonnées du service de réparation le plus proche, appeler le 1-800-4-KOHLER (1-800-456-4537) à partir des E.-U. et du Canada, et le 001-800-456-4537 à partir du Mexique, ou consulter le site [www.kohler.com](http://www.kohler.com) aux É.-U., [www.ca.kohler.com](http://www.ca.kohler.com) à partir du Canada, ou [www.mx.kohler.com](http://www.mx.kohler.com) au Mexique.

**KOHLER CO. ET/OU LE REVENDEUR FOURNISSENT CES GARANTIES AU LIEU ET PLACE DE TOUTES AUTRES GARANTIES, EXPRESSES OU TACITES, Y COMPRIS LES GARANTIES TACITES DE COMMERCIALITÉ ET D'ADAPTATION À UN USAGE PARTICULIER. KOHLER CO. ET/OU LE REVENDEUR DÉCLINENT TOUTE RESPONSABILITÉ CONTRE LES DOMMAGES PARTICULIERS, ACCESSOIRES OU INDIRECTS. Certains états et provinces ne permettent pas de limite sur la durée de la garantie tacite, ni l'exclusion ou la limite des dommages, et, par conséquent, lesdites limites et exclusions peuvent ne pas s'appliquer à votre cas. La présente garantie accorde au consommateur des droits juridiques particuliers. Vous pouvez également avoir d'autres droits qui varient d'un état ou d'une province à l'autre.**

**Ceci constitue la garantie écrite exclusive de Kohler Co.**

\*Les robinets Trend®, la colonne MasterShower®, les systèmes et éléments BodySpa; la colonne, les systèmes et les éléments WaterHaven®; les robinets Tripoint®, les finitions or poli, non-Vibrant et peintes ou à revêtement de poudre, les raccords, tous les articles de la section "Fixture Related" du catalogue des prix des robinets Kohler, les drains, les crépines d'évier Duostrainer®, les distributeurs de savon/lotion, le haut-parleur sans fil Moxie® et les robinets utilisés dans des installations commerciales et en dehors de l'Amérique du Nord sont couverts par la garantie limitée d'un an de Kohler Co.

\*\*Ne jamais utiliser de nettoyants contenant des agents abrasifs, de l'ammoniaque, de l'eau de Javel, des acides, des cires, de l'alcool, des dissolvants ou autres produits non recommandés pour le chrome. Ceci annulera la garantie.

# Guía de instalación y cuidado

## Válvula reguladora de presión

### INSTRUCCIONES IMPORTANTES

#### LÉALAS Y GUÁRDELAS PARA EL CLIENTE



**ADVERTENCIA:** Riesgo de quemaduras u otras lesiones graves.

- Antes de terminar la instalación, el instalador debe ajustar la temperatura máxima del agua en la válvula para reducir el riesgo de quemaduras, según la norma ASTM F 444.
- No instale un dispositivo de cierre en ninguna de las salidas de esta válvula. La instalación de tales dispositivos puede producir contracorriente en la válvula y afectar la temperatura del agua.
- Los factores que cambian la temperatura del agua suministrada a la válvula, tales como los cambios de temperatura debidos a las estaciones del año y el mantenimiento o reemplazo del calentador de agua, cambian la temperatura máxima del agua suministrada por la válvula y pueden causar quemaduras. La válvula reguladora de presión **no** compensará los cambios de temperatura del agua de suministro; ajuste la temperatura máxima del agua de esta válvula reguladora de presión cuando se produzcan tales cambios.
- Es posible que las válvulas reguladoras de presión no protejan contra quemaduras si otros aparatos de limitación de temperatura en el sistema de plomería no funcionan correctamente.

**AVISO:** Solo aplique lubricantes derivados de silicona a estas válvulas. No utilice lubricantes derivados del petróleo. Los lubricantes derivados del petróleo dañan los arosellos, los sellos y los componentes de plástico.

**El instalador es responsable de instalar la válvula y de ajustar la temperatura máxima del agua de esta válvula reguladora de presión según las instrucciones.**

## INSTRUCCIONES IMPORTANTES (cont.)

Esta válvula cumple o excede las normas ASME A112.18.1/CSA B125.1 y ASSE 1016/ASME A112.18.1016/CSA B125.16.

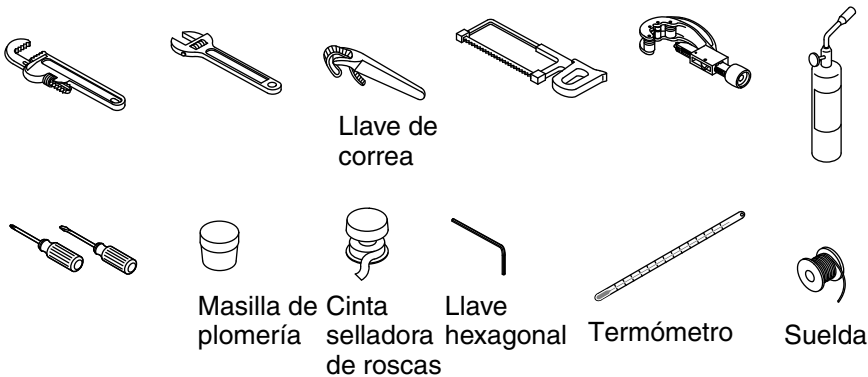
Si no comprende las instrucciones de instalación o de ajuste de temperatura contenidas en este documento, en los Estados Unidos llame a nuestro Centro de Atención al Cliente, al **1-800-4KOHLER**. Fuera de los EE.UU, comuníquese con su distribuidor.

**¡AVISO IMPORTANTE A LOS INSTALADORES!** Llene la información en el cuadro adyacente y en la etiqueta de la válvula. Luego, coloque estas instrucciones en la bolsa de plástico incluida con el paquete de la válvula, y cuelgue la bolsa de plástico en la manija de la válvula para referencia del usuario.

**¡AVISO AL USUARIO!** Este aparato fue ajustado originalmente por \_\_\_\_\_ de \_\_\_\_\_ para asegurar que la temperatura máxima sea segura. Cualquier cambio en el ajuste puede aumentar la temperatura de salida sobre el límite considerado seguro y ocasionar quemaduras.

Fecha: \_\_\_\_\_

## Herramientas y materiales



## Antes de comenzar

**PRECAUCIÓN: Riesgo de daños al producto.** Al usar esta válvula en una instalación de fibra de vidrio o acrílica, utilice el kit de instalación en paredes delgadas (88526).

**PRECAUCIÓN: Riesgo de daños al producto.** Esta válvula tiene componentes de plástico y de goma. Al soldar, no aplique demasiado calor al cuerpo de la válvula.



## Antes de comenzar (cont.)

**PRECAUCIÓN: Riesgo de daños al producto.** No aplique fundentes ni ácidos directamente en la válvula, pues se pueden producir daños.

**PRECAUCIÓN: Riesgo de daños al producto.** No aplique lubricantes derivados del petróleo a los componentes de la válvula, pues se pueden causar daños.

**¡IMPORTANTE!** El instalador es responsable de instalar la válvula y de ajustar la temperatura máxima del agua de esta válvula de acuerdo a las instrucciones.

**NOTA:** Para consultar información sobre piezas de repuesto, visite la página de su producto en [www.kohler.com/serviceparts](http://www.kohler.com/serviceparts).

- Cumpla todos los códigos locales de plomería y construcción.
- Esta válvula requiere una presión mínima de funcionamiento de 15 psi (103.4 kPa).
- La presión del agua cierra la válvula. No fuerce la manija en ninguna dirección. Para cerrar la válvula, gire suavemente a la posición cerrada "Off".
- Después de instalar el cuerpo de la válvula, deje fluir agua para que se limpie toda la tubería.
- Si las condiciones de entrada difieren de las usadas durante la calibración en la fábrica, puede ser necesario volver a calibrar la válvula después de la instalación.
- No utilice tubería de plástico entre la válvula y el surtidor. Kohler Co. recomienda utilizar tubo de cobre de 3/4". No se recomienda usar tubería de hierro.
- Esta válvula no tiene un aspirador integral. En instalaciones que emplean un surtidor desviador de bañera, se debe instalar un codo de dos salidas (K-9663) con aspirador integral entre la válvula y el surtidor de bañera. Si estas válvulas mezcladoras termostáticas se instalan sin aspirador, el agua fluirá simultáneamente de la ducha y del surtidor de la bañera.

## 1. Prepare el sitio

**¡IMPORTANTE!** Si la bañera ya está instalada, cúbrala para evitar dañar la superficie de la bañera.

### Tendido de plomería

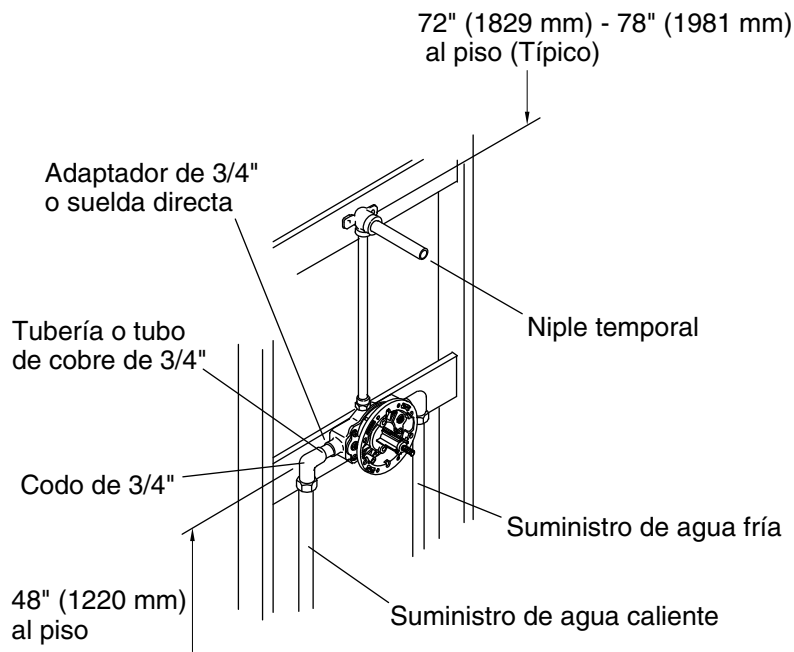
- Cierre el suministro de agua.

**Prepare el sitio (cont.)**

- Instale o cambie la ubicación de los suministros según sea necesario.

**Estructura de soporte**

- Determine la ubicación de la válvula e instale la estructura de soporte.

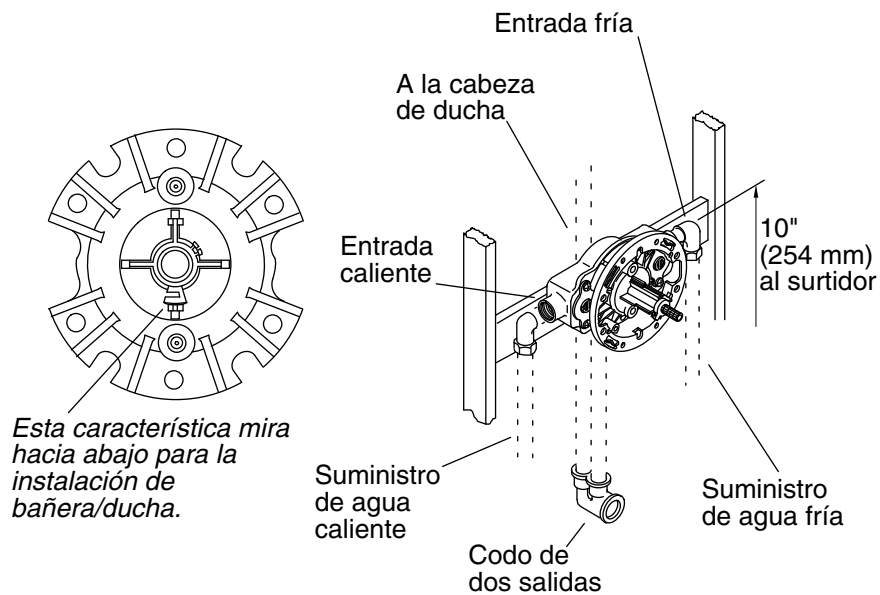


## 2. Instale la válvula - Solo una cabeza de ducha

- Instale la válvula en la estructura de soporte, de manera que la marca "UP" de la válvula quede hacia arriba.
- Conecte los suministros de agua al cuerpo de la válvula con codos, tubos de cobre de 3/4" y adaptadores (si es necesario). Utilice cinta selladora de roscas en todas las conexiones roscadas.

**¡IMPORTANTE!** Fije los tubos a la estructura de postes.

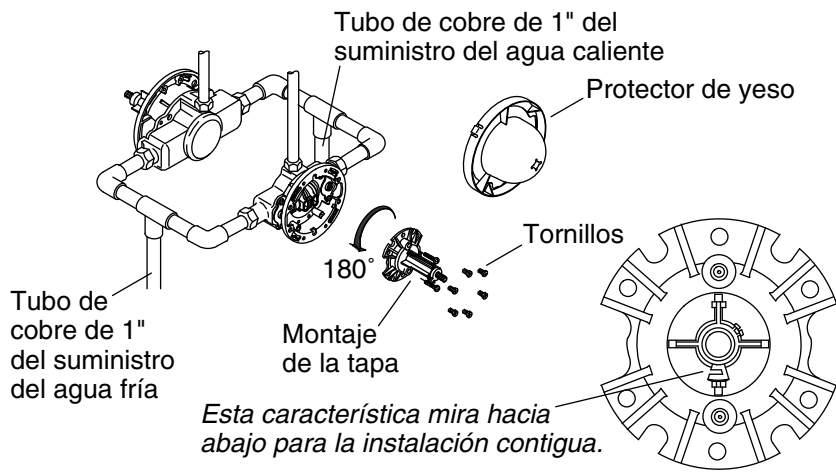
- Instale temporalmente un niple de 1/2" al codo de la ducha de manera que sobresalga por lo menos 2" (51 mm) de la pared acabada.



### 3. Instale la válvula - Aplicación de bañera y ducha

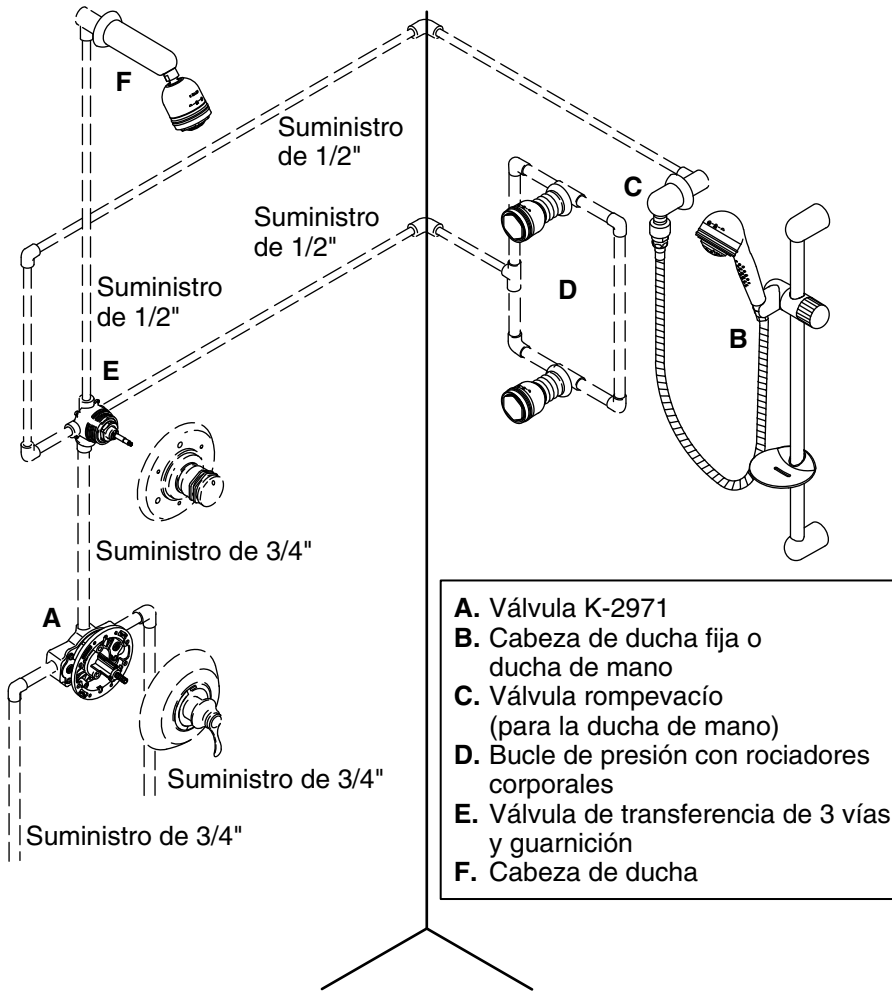
**NOTA:** En instalaciones que emplean un surtidor desviador de bañera y una cabeza de ducha, instale un codo de dos salidas (K-9663) entre la válvula y el surtidor.

- Instale la válvula en la estructura de soporte, de manera que la marca "UP" de la válvula quede hacia abajo.
- Si el suministro del agua caliente está conectado a la entrada de agua fría, el montaje de la tapa debe girarse 180° para asegurar la orientación correcta; consulte la ilustración detallada que muestra la tapa girada 180°.
- Instale codos y adaptadores (si es necesario) al tubo de cobre de 3/4" de la longitud correcta. Aplique cinta selladora de roscas y conecte los tubos a la salidas de la válvula para la bañera y la ducha.



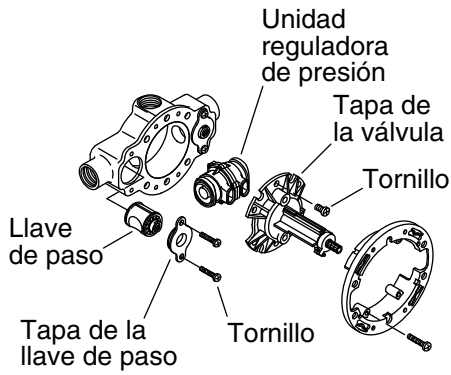
#### 4. Instalación contigua de válvulas

- ❑ Instale ambas válvulas según las instrucciones de instalación de la válvula. Los suministros a una de las válvulas quedará invertido.
- ❑ Retire el protector de yeso, la tapa, el montaje de la tapa y el collarín de la válvula con las conexiones del suministro invertidas.
- ❑ Gire el montaje de la tapa y el collarín 180° (lengüeta hacia abajo). Vuelva a ensamblar y apriete bien los tornillos en el montaje de la tapa.
- ❑ Vuelva a instalar el protector de yeso.

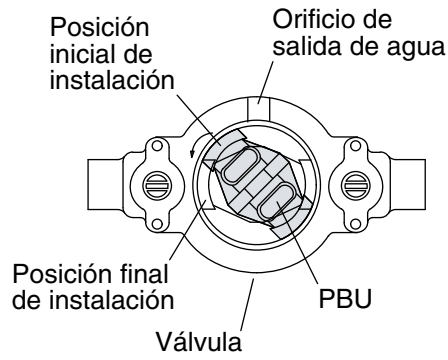


- A.** Válvula K-2971
- B.** Cabeza de ducha fija o ducha de mano
- C.** Válvula rompevacío (para la ducha de mano)
- D.** Bucle de presión con rociadores corporales
- E.** Válvula de transferencia de 3 vías y guarnición
- F.** Cabeza de ducha

## 5. Distribución de cabezas de ducha múltiples



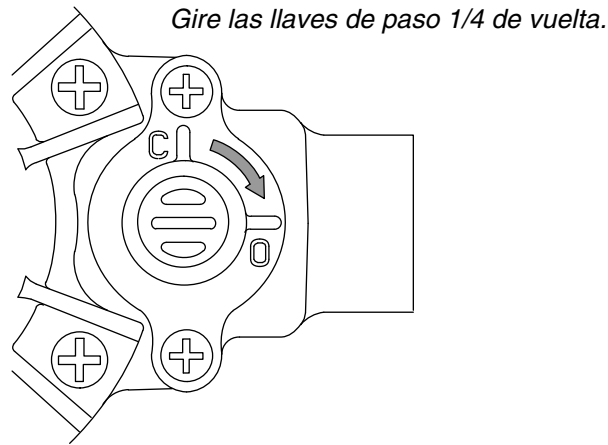
**Montaje de la válvula**



**Instalación de la unidad PBU**

## 6. Haga circular agua por las tuberías

- Desensamble la válvula como se muestra para retirar los componentes internos.
- Abra lentamente los suministros de agua para que corra agua por los tubos de suministro y el cuerpo de la válvula para eliminar todos los residuos.
- Inspeccione los dos sellos de entrada de la unidad de regulación de presión (PBU). Si los sellos están dañados, cámbielos por los sellos de entrada adicionales provistos. Lubrique los sellos con la cápsula provista.
- Para volver a instalar la unidad de regulación de presión (PBU), empújela dentro de la válvula en la posición de instalación inicial con las tuercas en la unidad PBU hacia la entrada de agua caliente. Verifique que los sellos de la unidad de regulación de presión no entren en contacto con los orificios de entrada/salida durante la instalación inicial, ya que los bordes ásperos podrían dañar los sellos.
- Gire hacia la izquierda la unidad de regulación de presión mientras aplica presión hacia abajo, hasta que se asiente en las muescas en la parte inferior de la válvula. Una vez que quede bien asentada, la unidad de regulación de presión no debe girar.
- Vuelva a ensamblar los demás componentes de la válvula, como se ilustra.

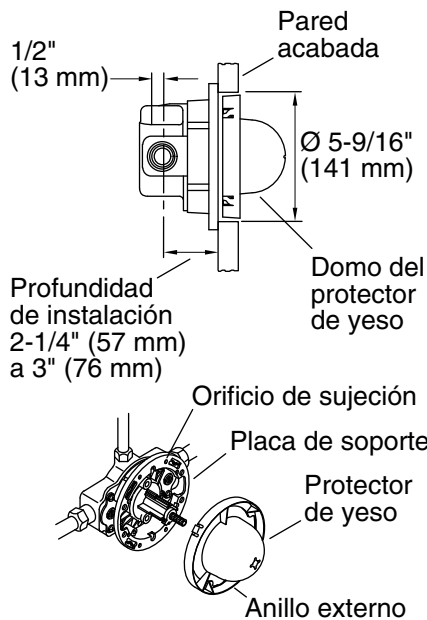


## 7. Verificación de la instalación

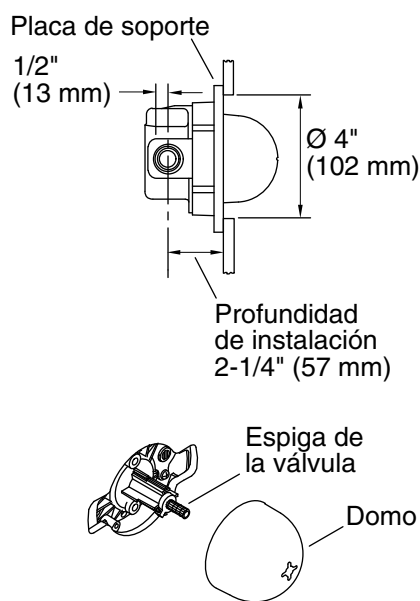
- Instale tapones en los niples temporales de la bañera y de la ducha.
- Abra los suministros de agua fría y caliente, y verifique que no haya fugas en la instalación nueva.
- Retire las tapas de los niples temporales.
- Retire el protector de yeso.
- Gire el vástago de la válvula a la posición abierta "On", y haga funcionar el control en todo su rango de funcionamiento. Verifique que no haya fugas.
- En instalaciones de bañera y ducha, revise el sistema desviador desde el surtidor hasta la cabeza de ducha.
- Cierre la válvula.
- Si la válvula tiene llaves de paso, gire los ajustes de ambas llaves de paso completamente hacia la derecha.
- Abra la válvula y verifique que no circule agua.
- Cierre la válvula y gire ambas llaves de paso completamente hacia la izquierda.
- Vuelva a instalar el protector de yeso.



## Pared gruesa



## Pared delgada



## 8. Termine la pared acabada

**PRECAUCIÓN: Riesgo de daños al producto.** Esta válvula tiene componentes plásticos y de goma que pueden sufrir daños si se aplica calor de soldadura directamente al cuerpo de la válvula.

**PRECAUCIÓN: Riesgo de daños al montaje de la válvula K-2971-KS.** Al usar la válvula K-2971-KS HiFlow en una instalación de fibra de vidrio o acrílica, utilice el kit de instalación en paredes delgadas (88526).

**NOTA:** Las instalaciones en paredes gruesas generalmente son azulejo, yeso, mármol u otros materiales similares. Las instalaciones en paredes delgadas generalmente son fibra de vidrio o acrílico.

**NOTA:** No ajuste la temperatura máxima del agua en este momento.

### Instalación en pared gruesa

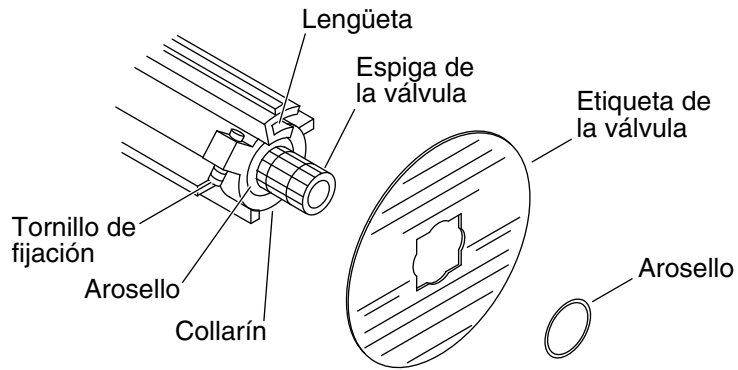
- Haga un orificio de 5-9/16" (141 mm) de diámetro en el material de la pared. La superficie frontal plana del protector de yeso debe quedar al ras con la pared acabada.

**Termine la pared acabada (cont.)**

- Termine la pared acabada.
- No retire el protector de yeso hasta que se le indique.

**Instalación en pared delgada**

- Retire el protector de yeso de la placa de soporte.
- Gire el domo del protector de yeso para separarlo del anillo exterior. Deseche el anillo exterior.
- Deslice el domo sobre el vástago de la válvula.
- Haga un orificio de 4" (102 mm) de diámetro en el material de la pared.
- Haga las aberturas para las llaves de paso (si se incluyen), y use los orificios en la placa de soporte como guía.
- Fije la placa de soporte a la parte posterior del material de la pared.
- No retire el domo mientras no se le indique hacerlo.



## 9. Ajuste del límite de temperatura del agua caliente



**PRECAUCIÓN: Riesgo de lesiones personales.** Para eliminar el riesgo de quemaduras, la temperatura del agua nunca debe ajustarse a más de 120°F (49°C).

**NOTA:** No retire todavía el arosello ni el collarín. Si retira el arosello y el collarín, cambiará la temperatura máxima del agua establecida en la fábrica.

- Gire la válvula a la derecha, a la posición completamente abierta, y deje correr agua caliente durante varios minutos. Coloque un termómetro en el chorro de agua, y verifique la temperatura.
- En **cambios menores de temperatura del agua**, ajuste el tornillo de fijación y vuelva a verificar la temperatura.
- En **cambios mayores de temperatura del agua**, retire el arosello y el collarín del vástago de la válvula. Gire lentamente el vástago de la válvula hasta que obtenga la temperatura máxima deseada del agua.
- Vuelva a instalar el collarín en el vástago de la válvula con el tornillo de fijación contra el lado de la lengüeta.
- Vuelva a instalar el arosello. Gire el vástago de la válvula hacia la izquierda para cerrar el agua.
- Vuelva a verificar la temperatura del agua.
- Instale la guarnición de la válvula.

## Ajuste del límite de temperatura del agua caliente (cont.)

- Llene la información en la etiqueta de la válvula (si se ha provisto).

## Garantía

### Garantía limitada de por vida para la grifería KOHLER®

Kohler Co. garantiza la grifería\* fabricada después del 1 de enero de 1997 contra problemas de fugas y goteo durante el uso residencial normal, mientras el comprador consumidor original sea el propietario de su casa. En caso de que la grifería presente fugas o goteo durante el uso normal, Kohler Co. enviará por correo y sin ningún cargo al comprador original, el cartucho necesario para que la Grifería funcione correctamente. Esta garantía se aplica solo a la grifería Kohler instalada en los Estados Unidos de América, Canadá o México ("Norteamérica").

Kohler Co. también garantiza todas las demás características de la grifería o accesorios ("Grifería")\*, (excepto los acabados de oro, que no sean Vibrant®, o que no sean de cromo) contra defectos de material y mano de obra, durante el uso residencial normal, mientras el comprador consumidor original sea el propietario de su casa. Esta garantía se aplica solo a la grifería Kohler instalada en Norteamérica. Si se encuentra un defecto durante el uso residencial normal, Kohler Co., a su criterio, reparará, proveerá un repuesto o producto, o realizará los ajustes pertinentes. Esta garantía no cubre daños causados por accidentes, abuso o uso indebido del producto. El cuidado y la limpieza indebidos anulan la garantía.\*\* Al presentar las reclamaciones de garantía a Kohler Co., es necesario incluir el comprobante de compra (recibo de venta original). Kohler Co. no se hace responsable de costos de mano de obra, instalación u otros costos incidentales o indirectos. En ningún caso la responsabilidad de Kohler Co. excederá el precio de compra de la grifería.

Si la grifería se utiliza comercialmente o si se instala fuera del territorio de Norteamérica, o si el acabado es de oro, no es Vibrant o es un acabado de color con revestimiento de pintura o polvo, Kohler Co. garantiza la grifería contra defectos de material y mano de obra durante un (1) año a partir de la fecha de instalación, bajo la garantía limitada de un año estándar de Kohler Co.

Si usted considera que tiene una reclamación en virtud de la garantía, comuníquese con Kohler Co. a través de su distribuidor, contratista de plomería, centro de remodelación o distribuidor por Internet, o escriba a Kohler Co., Attn.: Customer Care Center, 444 Highland Drive, Kohler, WI 53044, USA. Asegúrese de proporcionar toda la información pertinente a su reclamación, incluida una descripción completa del problema, el producto, el número de modelo, el color, el acabado, la

## **Garantía (cont.)**

fecha de compra y el lugar de compra del producto. También incluya el recibo original. Para consultar información adicional, o para obtener el nombre y la dirección del lugar de reparación y servicio más cercano a usted, llame al 1-800-4-KOHLER (1-800-456-4537) en los EE.UU. y Canadá, y al 001-800-456-4537 en México, o visite [www.kohler.com](http://www.kohler.com) en los EE.UU., [www.ca.kohler.com](http://www.ca.kohler.com) en Canadá, o [www.mx.kohler.com](http://www.mx.kohler.com) en México.

**KOHLER CO. Y/O EL VENDEDOR OFRECEN ESTAS GARANTÍAS QUE SUSTITUYEN A TODAS LAS DEMÁS GARANTÍAS, EXPRESAS O IMPLÍCITAS, INCLUIDAS, ENTRE OTRAS, LAS GARANTÍAS IMPLÍCITAS DE COMERCIALIZACIÓN E IDONEIDAD PARA UN USO DETERMINADO. KOHLER CO. Y/O EL VENDEDOR DESCARGAN TODA RESPONSABILIDAD POR CONCEPTO DE DAÑOS PARTICULARES, INCIDENTALES O INDIRECTOS. Algunos estados/algunas provincias no permiten limitaciones en cuanto a la duración de una garantía implícita o a la exclusión o limitación de dichos daños, por lo que es posible que estas limitaciones y exclusiones no se apliquen a su caso. Esta garantía otorga al consumidor ciertos derechos legales específicos. Además, usted puede tener otros derechos que varían de estado a estado y de provincia a provincia.**

**Esta es la garantía exclusiva por escrito de Kohler Co.**

\*La grifería Trend<sup>®</sup>, la torre MasterShower<sup>®</sup>, los sistemas y los componentes BodySpa, la torre, los sistemas y los componentes WaterHaven<sup>®</sup>, las griferías Tripoint<sup>®</sup>, el acabado en oro pulido, que no sea Vibrant, y los acabados con revestimiento de pintura o en polvo, las conexiones, todos los artículos contenidos en la sección "Fixture Related" de la lista de precios de la grifería Kohler, los desagües, las coladeras de fregadero Duostrainer<sup>®</sup>, los dispensadores de jabón y loción, la bocina inalámbrica Moxie<sup>®</sup>; y la grifería de uso comercial e instalada fuera del territorio de Norteamérica, están cubiertos por la garantía limitada de un año de Kohler Co.

\*\*Nunca utilice limpiadores que contengan abrasivos, amoníaco, blanqueador, ácidos, ceras, alcohol, disolventes u otros productos no recomendados para el cromo. Esto anula la garantía.

1205550-2-C

1205550-2-C

USA/Canada: 1-800-4KOHLER

México: 001-800-456-4537

[kohler.com](http://kohler.com)

THE BOLD LOOK  
OF **KOHLER**®

©2015 Kohler Co.

1205550-2-C