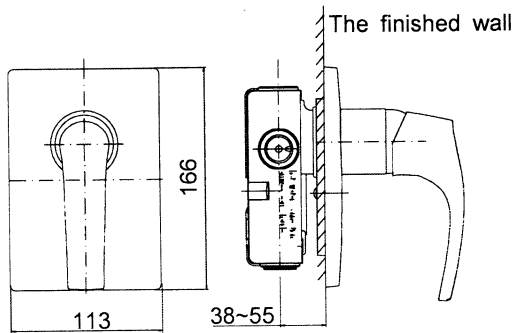


ROUGH-IN DIMENSIONS

18470-4



18471-4

