

KOHLER®

INSTALLATION INSTRUCTIONS

OVE IN-WALL TANK II WITHOUT IRON RACK

K-6288T/K-6287IN-NA/K-6287IN-F-NA

BEFORE YOU BEGIN

- Read installation guide in illustration and word file carefully, and install the tank according to instructions in the guide to avoid product damage and installation inconvenience caused by inappropriate operation.
- All data contained is based upon the last product information available at the time of publication. Kohler Co. Reserves the right to implement changes of product characteristics, packaging and availability at any time without further notice.
- Do not apply erosive cleanser and solvent in the tank, which will damage tank spares and result in leakage in the tank. Kohler will not be responsible for any damage related to above mentioned cleanser or solvent.
- Do not apply spares that are not provided by Kohler, and please note that glass adhesive tape shall not be applied to the installation of Kohler spares. Kohler will not be responsible for any damage related to installation with spares not provided by Kohler.

Ordering Information

OVE Tank Cover	K-6288T-**	OVE In-Wall Tank II (Without Iron Rack For Wall-Hung Toilet)	K-6287IN-NA
		OVE In-Wall Tank With Flexible Outlet ..	K-6287IN-F-NA

Function Explanation

- Anti flow-backwards
- Adjustment of inlet water level
- Adjustment of flushing volume
- Single/double gear flushing

Design And Installation Concept Of In-wall Tank

- Installation of shorten in-wall tank is much easier and nice-looking comparative to that of traditional tank. Meanwhile, the space layout will be more reasonable due to the application of in-wall tank pipes and connectors.
- The most remarkable advantage of shorten in-wall tank is that the installation will never be limited to certain area, and can be installed wherever as you wish, which will make the bathroom layout more reasonable and nice-looking, and make good use of every inch of the bathroom space.

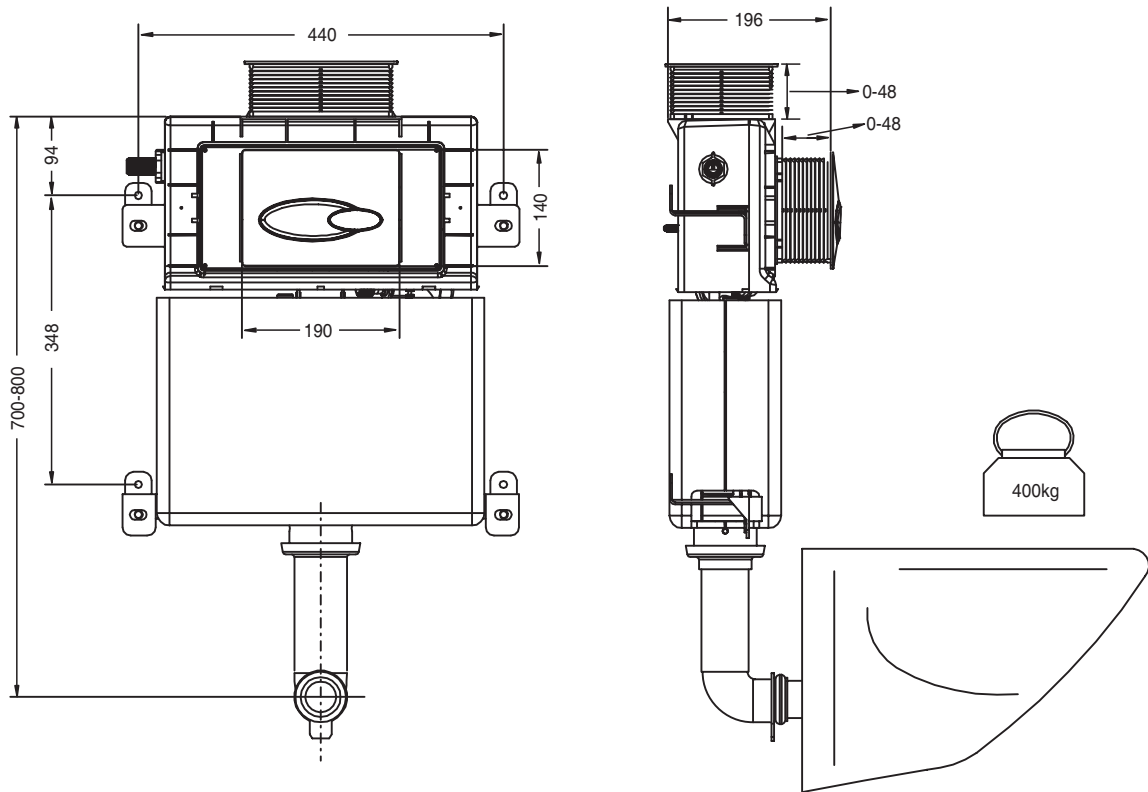
Advantages Of In-wall Tank

- Made of macromolecular materials that prevents corrosion and leaking.
- Adjustable dual flush design which conserves water.
- Will not affect the structure of the wall and provides excellent sound insulation.
- Easy installation and time efficient.
- Do not need to prepare any other spare parts.
- Easy maintenance and servicing.
- Clean, garbage free, and space saving.

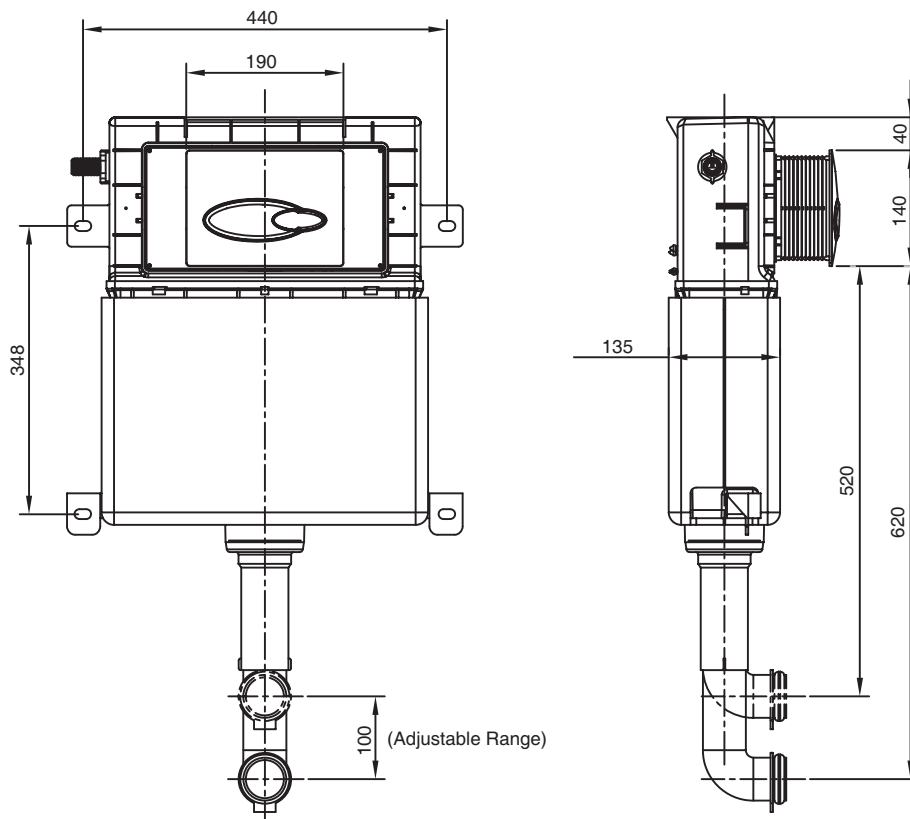
ROUGHING-IN

Installation dimensions without iron rack for wall-hung K-6287IN-NA

UNIT: mm



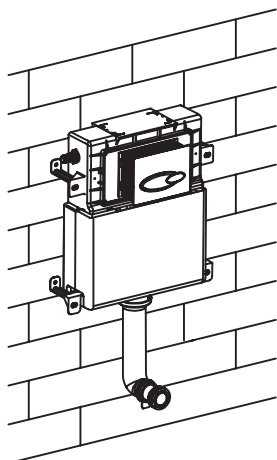
Installation dimensions without iron rack for wall-hung K-6287IN-F-NA



INSTALLATION

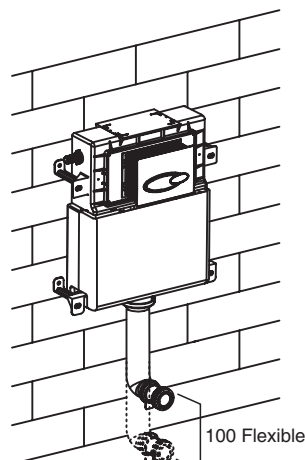
Installation Method

K-6287IN-NA



In-wall Tank II Without Iron Rack
For Wall-Hung Toilet

K-6287IN-F-NA

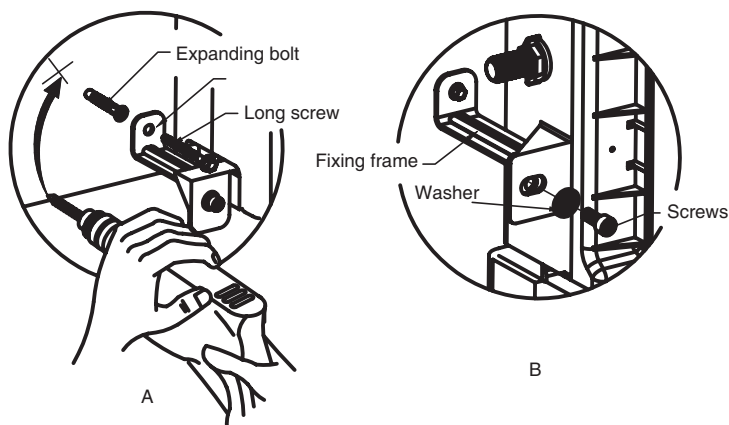
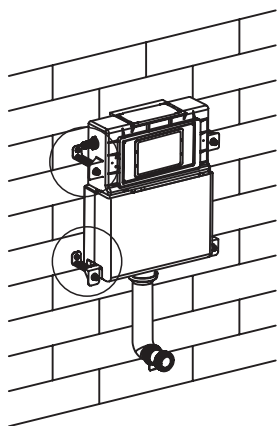


OVE In-Wall Tank With Flexible Outlet

A. Install the in-wall tank

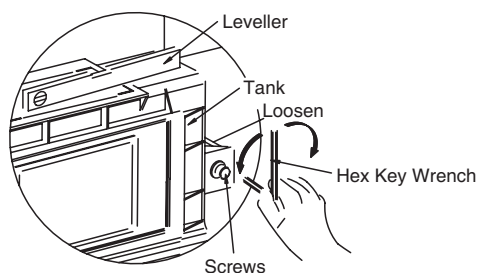
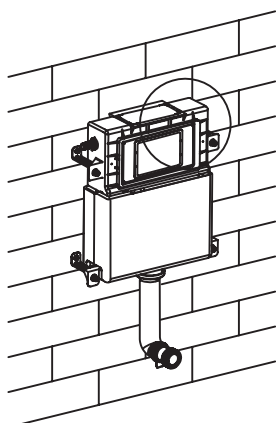
1. Drill four holes with diameter of 12mm and depth of 60mm as shown in Fig. A, fix expanding bolt, then install the fixing frame and tighten the long screw.

Align tank with fixing hole of the fixing frame as shown in Fig. B, adjust and wrap it with washer, and then tighten screws.

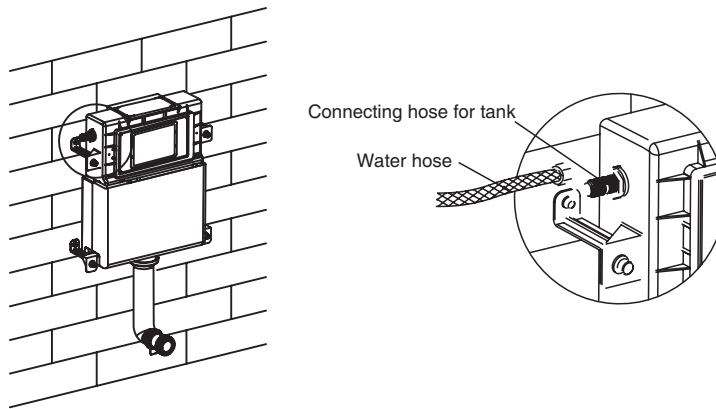


2. Adjust the tank to level position with leveller as shown in the below figure and tighten screws with hex key wrench.

Note: it is necessary to keep the tank balanced.

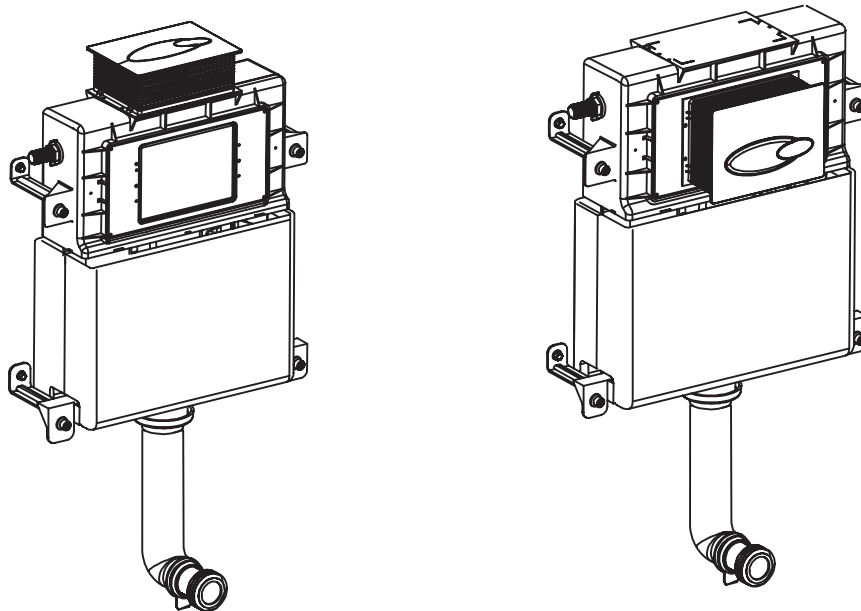


3. Connect the water hose to tank supply pipe and fill the water. (Note: inlet valve shall be shut off at this time)



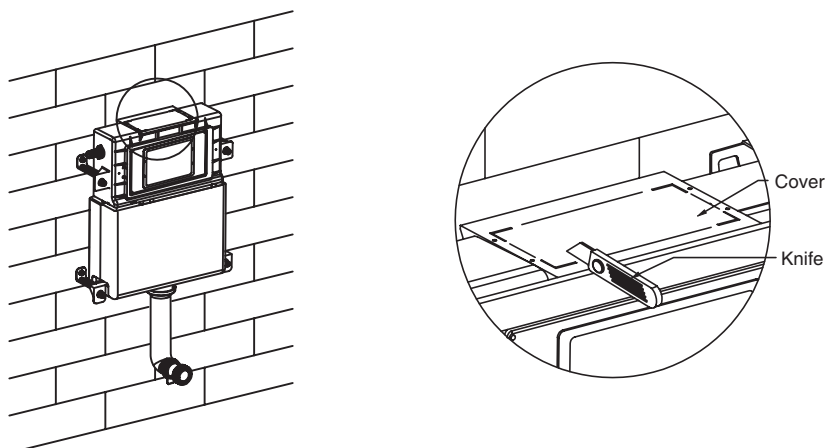
B. Installation methods for front push and top push buttons

The product features two kinds of push buttons, top push and front push respectively.

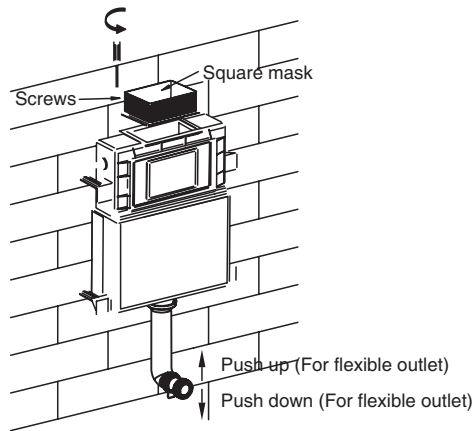


1. Installation method for top push buttons

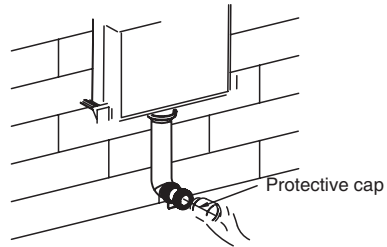
1) Use scissors to cut the protective panel as shown in the figure.



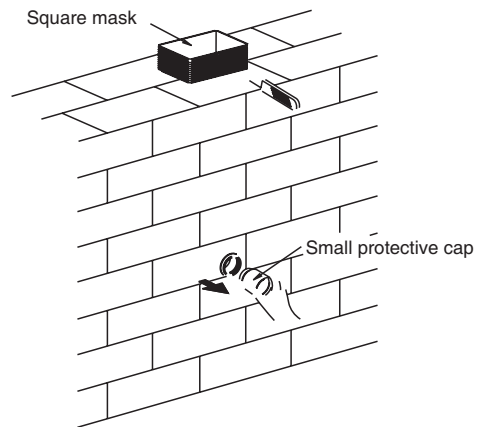
2) Fix the square mask into the roof panel of the tank, and then tighten four screws to make the mask fit the tank enough. For flexible outlet (K-6287IN-F-NA), push the pipe up or down to get proper height of outlet.



3) Fix protective cap to the drain hole as shown in the figure.

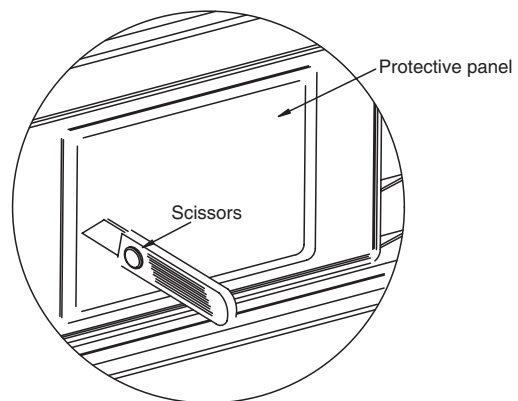
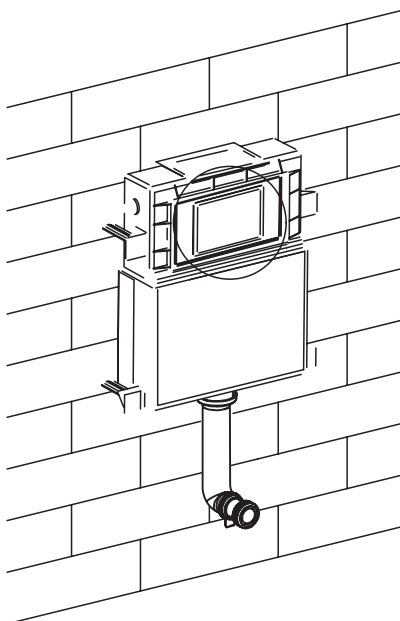


4) Clear the finished wall as shown in the figure. Take the protective cap out and use scissors to cut the part of the square mask that protrudes out of the wall.

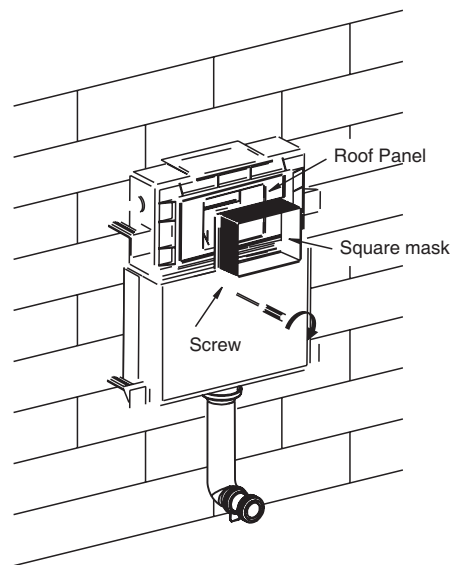


2. Installation method for front push

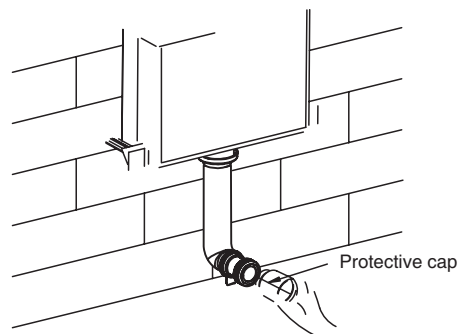
1) Use scissors to cut the protective panel as shown in the figure.



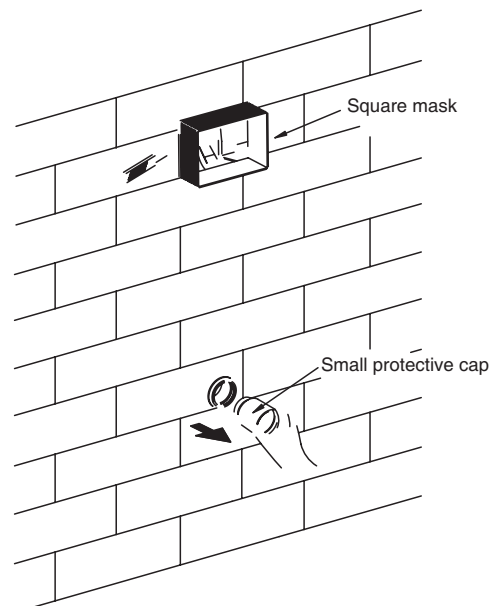
2) Fix the square mask into the roof panel of the tank and tighten four screws to make it fit the tank.



3) Fix the protective cap on the drain hole as shown in the figure.

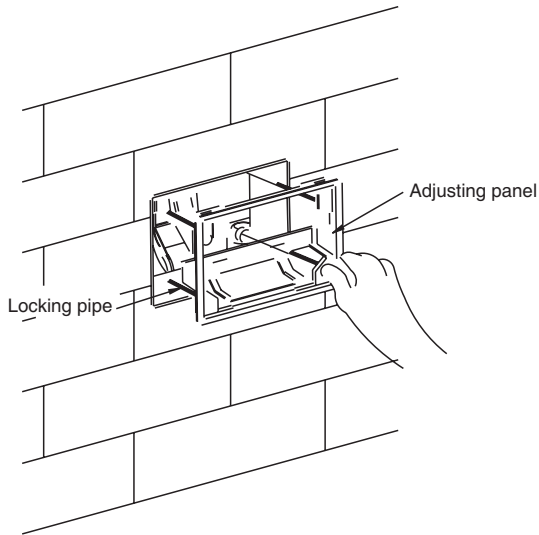


4) Clear the finished wall as shown in the figure. Take the protective cap out and use scissors to cut the part of the square mask that protrudes out of the wall.

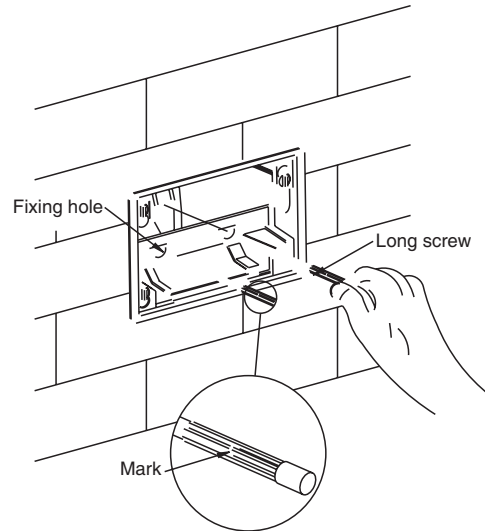


3. Installation method for front push buttons

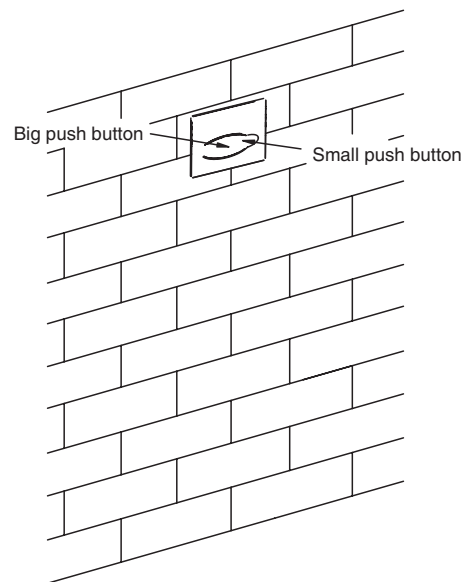
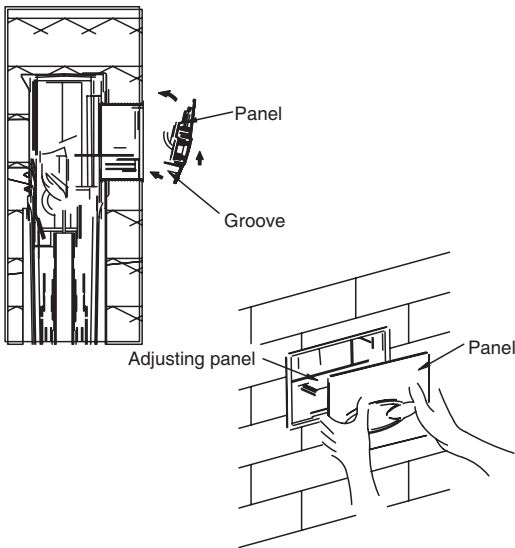
1) Install the adjusting panel on the wall, then turn the locking pipe manually to fix the panel. Alignment between the locking pipe and "LOCK" logo indicates the panel is right in position. (Please refer to the alignment mark on the adjusting panel during installation.)



2) Insert the long screw through the fixing hole and tighten screws.
Note: Mark on the long screw shall be aligned with the fixing hole during the process.)



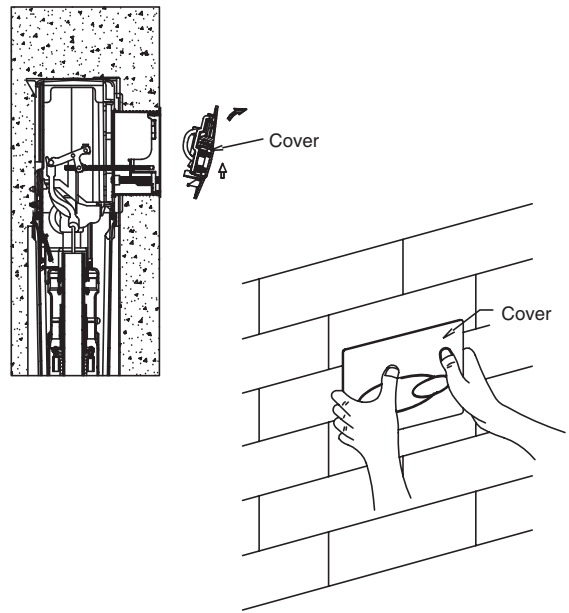
3) Align the groove of the panel with tab of the adjusting panel, then push upward and lock them forward. The installation shall be carried out from the bottom to the top.



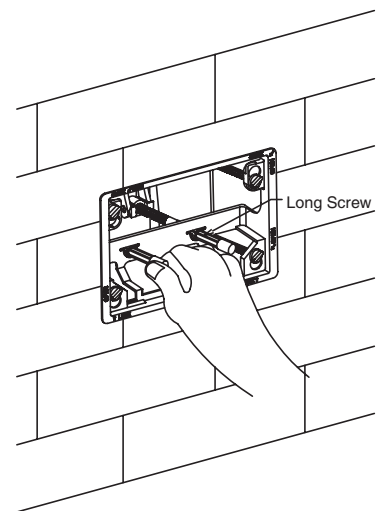
4) Complete the installation and the in-wall tank is ready to be put into use.

REMOVE AND MAINTENANCE OF OUTLET VALVE

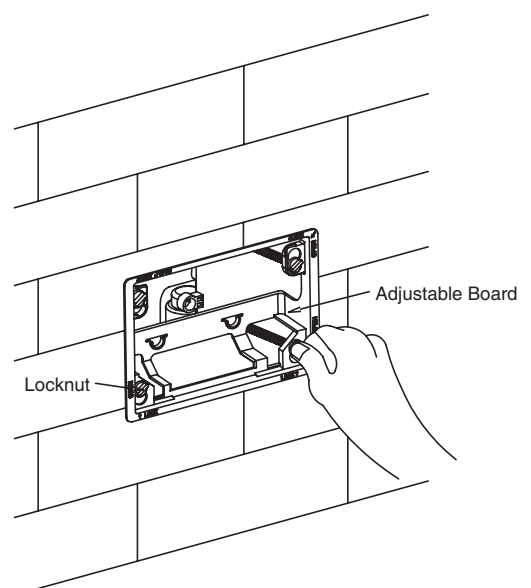
1. Hold the cover with both hands and push upward to take down the cover.



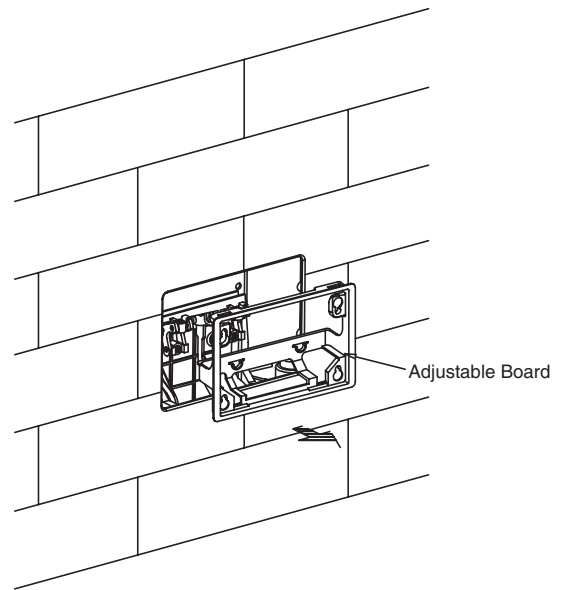
2. Loosen the long screw as shown.



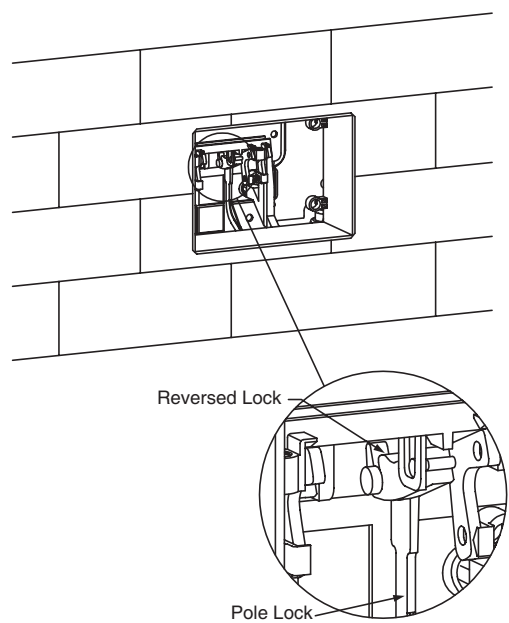
3. Tighten the locknut to the marked position of "OPEN" to take out the adjustable board.



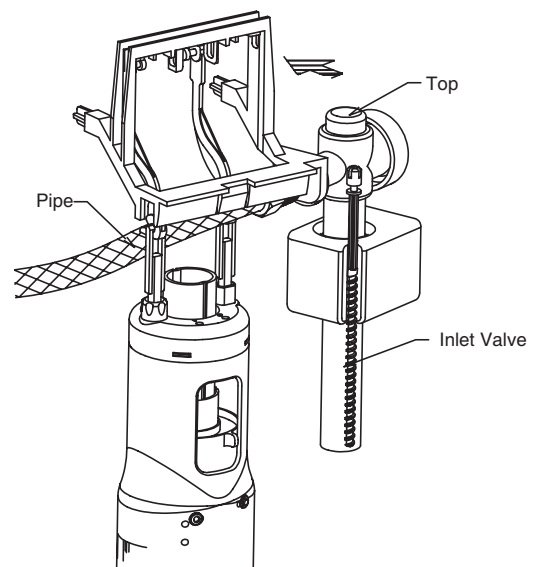
4. Take out the adjustable board as shown.



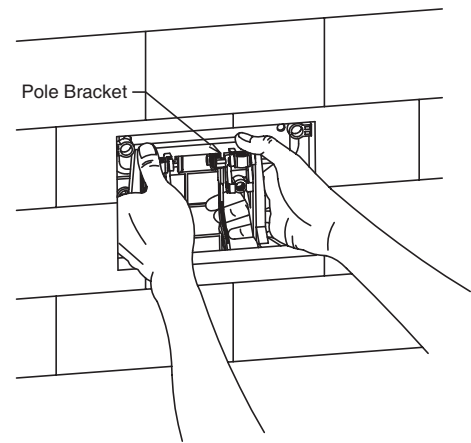
5. Take out the pole lock and the reversed lock as shown.



6. Take out the inlet valve as shown. Loosen the terminal of the pipe, then grasp the top of the inlet valve and push back.

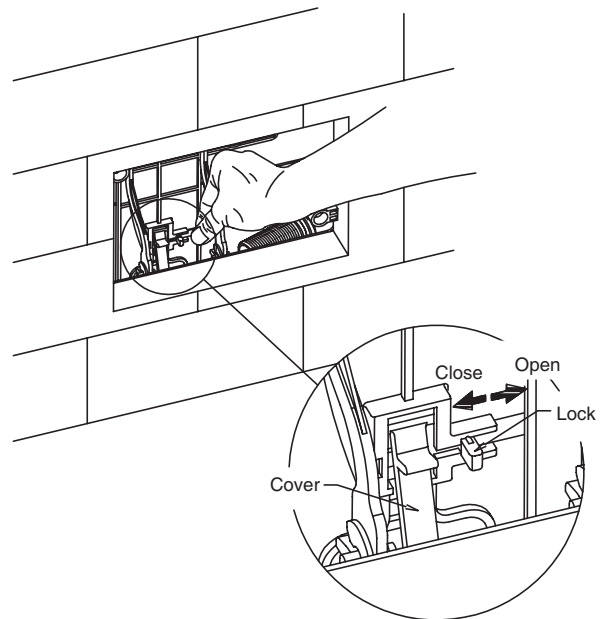


7. Hold the pole bracket with your hands as shown.
Then take out the pole bracket by pulling it.

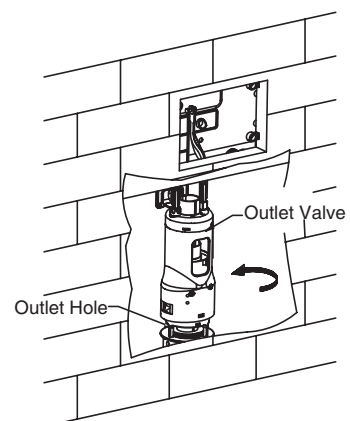


8. Move the lock on or off by hand.

Note: Move the lock on and open the cover, then the outlet valve can be loosened.

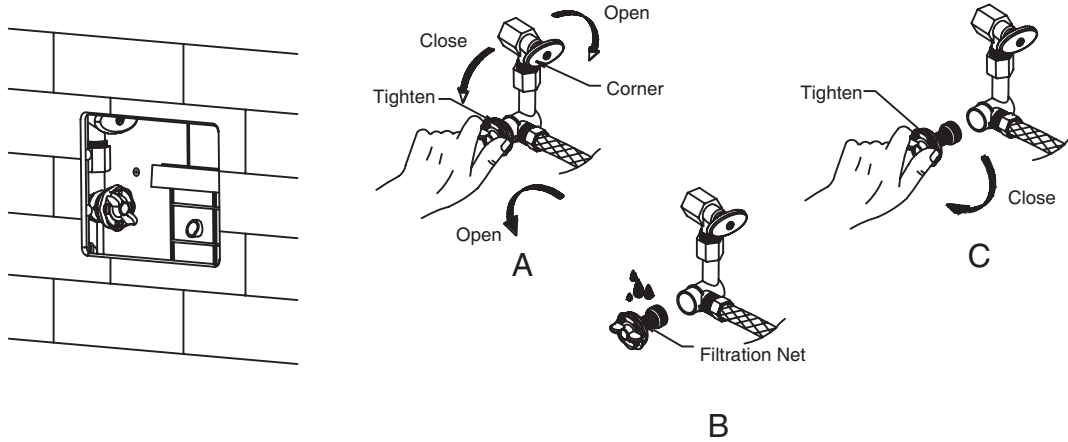


9. Turn the outlet valve in according to the arrow direction, then the outlet valve can be taken out. Installing and removing the outlet valve will click.



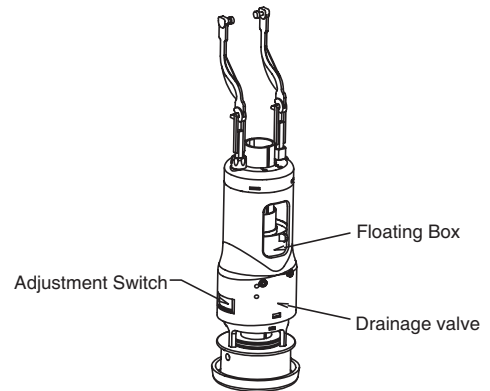
A. Wash Filtration Net

Close corner valve first, then loosen and take out the tighten nut, and wash the waste on filtration net with clean water. Then reset the tighten nut to the original position.



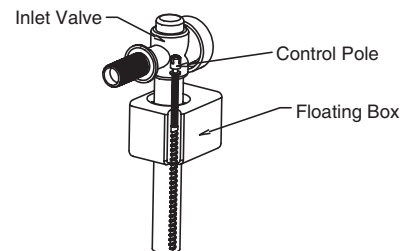
B. Adjust Drainage Valve

Drainage volume and overflow level of the tank can be adjusted by drainage valve: 1) Heavy drainage adjustment: Open adjustment switch to open the small hole. 2) Slight drainage adjustment: adjust the height of floating box and the water level of slight drainage will be at the bottom of the floating box.



C. Adjust Inlet Valve

Hoist and reduce the water level in the tank by adjusting the control pole. Turn the control pole counterclockwise to lower down the floating box and reduce the water level of the tank. Turn the control pole clockwise to hoist the floating box and increase the water level in the tank.



TROUBLE SHOOTING PROCEDURES

Symptoms	Probable Causes	Recommended Action
No water fills in via inlet valve	The inlet valve is closed	Open inlet valve (refer to page 14)
	Floating box of inlet valve is blocked by tank wall	Adjust floating box to appropriate position
	Floating box of inlet valve is block by waste	Wash the floating box with clean water
No drainage when pressing the heavy and slight drainage button	Long screw is tighten too far.	Loosen the long screw, make sure the sign the long screw accords with the hole on (refer to page 7).
	Pole lock is not locked tight enough with the reversed lock.	Relock the pole lock with the reversed lock.
Too high or too low water level	Water level of the inlet valve is not appropriate	Readjust water level (refer to page 14)
Leak of the toilet and squat	The outlet valve is not installed tight enough with the outlet hole.	Retighten the outlet valve (refer to page 13)
	The rubber gasket of the outlet valve is blocked by waste.	Clean the rubber gasket of the outlet valve.
Toilet swing	Hexagonal nut is loose	Tighten the hexagonal nut (refer to page 9)

LIMITED ONE-YEAR WARRANTY

Kohler plumbing fixtures and fittings are warranted to be free of manufacturing defects.

Kohler Co. will, at its election repair, replace, or make appropriate adjustment where Kohler Co. inspection discloses any such defects occurring in normal usage within one year after installation. **Kohler Co. is not responsible for installation costs.**

To obtain warranty service, contact Kohler Co. either through your Dealer or Plumbing Contractor or by writing Kohler Co., Attn: Consumer Affairs Department, Kohler, WI 53044 U.S.A.

Implied warranties, including that of merchantability and fitness for a particular purpose, are expressly limited in duration to the duration of

this warranty. To the extent permitted by law, Kohler Co. disclaims all implied warranties including merchantability and fitness for a particular purpose. Kohler Co. disclaims any liability for special, incidental, or consequential damages.

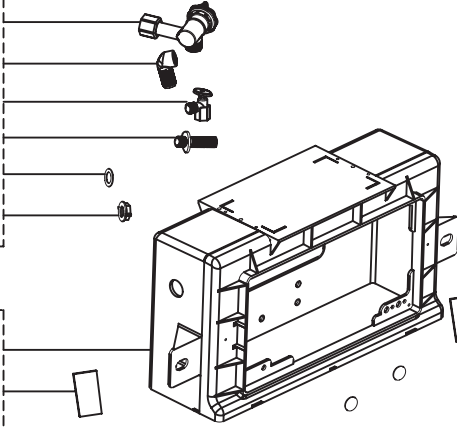
Some states do not allow limitations on how long an implied warranty lasts or the exclusion or limitation of incidental or consequential damages, so this limitation and exclusion may not apply to you. This warranty gives you specific legal rights. You may also have rights which vary from state to state.

This is our exclusive written warranty.

Kohler Co., Kohler, Wisconsin 53044

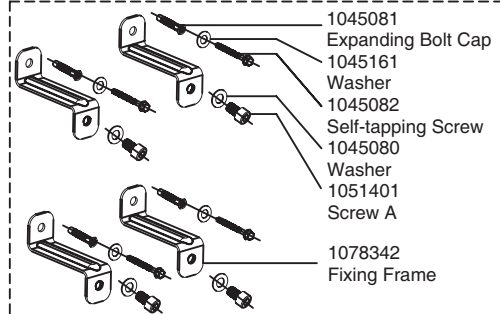
KL01

- 1045070 G12 Filter
- 1059145 Filter Connection
- 1045071 G06 Valve
- 1045072 Tank Inlet Connection
- 1045073 Washer
- 1045074 Locknut



KL04 1078341 Fixing Frame Assembly

- 1045081 Expanding Bolt Cap
- 1045161 Washer
- 1045082 Self-tapping Screw
- 1045080 Washer
- 1051401 Screw A
- 1078342 Fixing Frame



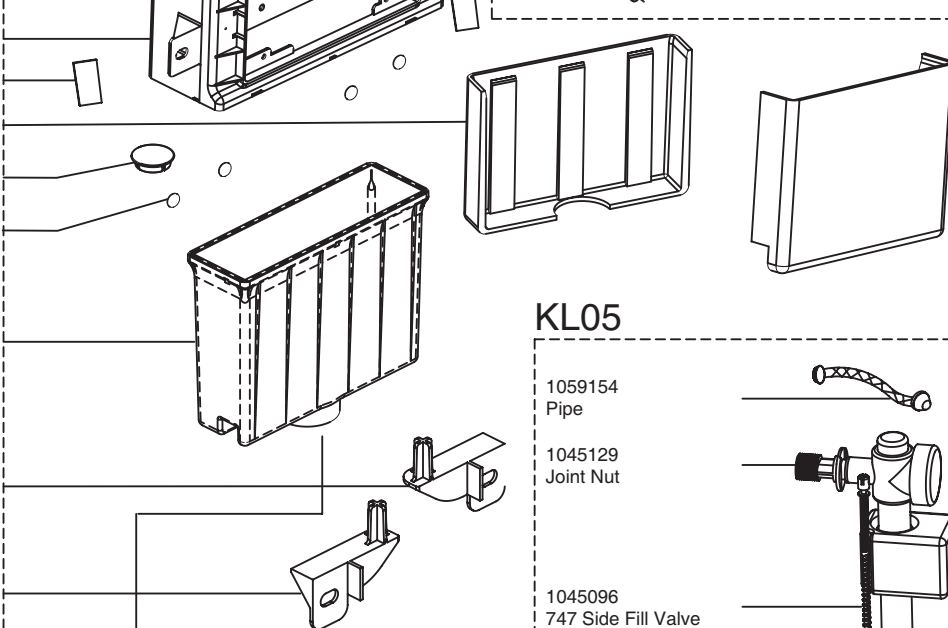
KL02

- 1059146 Tank, Top
- 1059147 Paster, Front
- 1059148 Wrap
- 1059668 Cap
- 1059149 Paster, Rear

- 1059150 Tank, Bottom

- 1059151 Bracket, Right

- 1059152 Bracket, Left

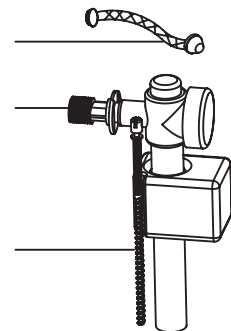


KL05

- 1059154 Pipe

- 1045129 Joint Nut

- 1045096 747 Side Fill Valve



KL03

- 1111013 Melt Seal

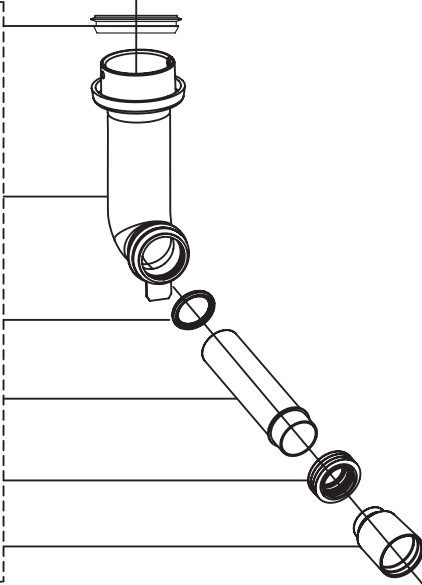
- 1059153 Tank, Carve

- 1045140 Rubber Gasket

- 1045142 Outlet Pipe

- 1045092 Rubber Gasket

- 1045143 Plug, Small



KL06

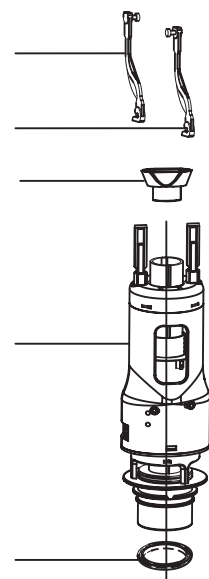
- 1059155 Hook, Left

- 1059156 Hook, Right

- 1111019 Tundish

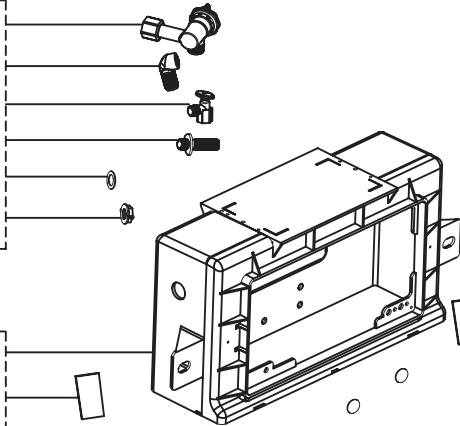
- 1059157 P60A Flush Valve

- 1045102 Rubber Gasket



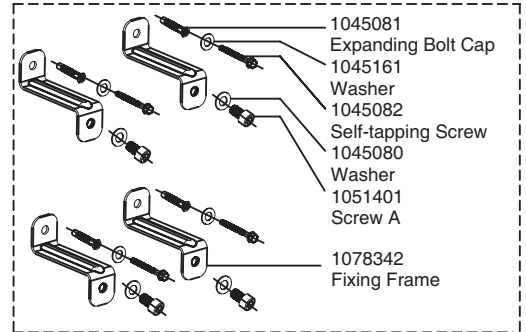
KL01

- 1045070 G12 Filter
- 1059145 Filter Connection
- 1045071 G06 Valve
- 1045072 Tank Inlet Connection
- 1045073 Washer
- 1045074 Locknut



KL04

1078341 Fixing Frame Assembly



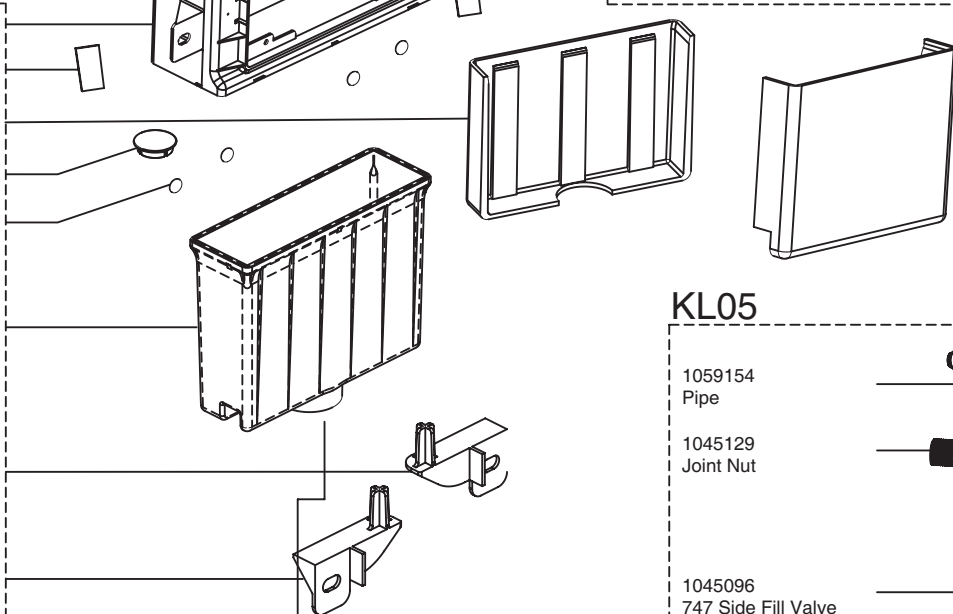
KL02

- 1059146 Tank, Top
- 1059147 Paster, Front
- 1059148 Wrap
- 1059668 Cap
- 1059149 Paster, Rear

- 1059150 Tank, Bottom

- 1059151 Bracket, Right

- 1059152 Bracket, Left

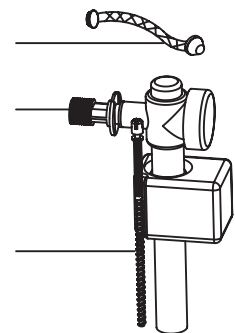


KL05

- 1059154 Pipe

- 1045129 Joint Nut

- 1045096 747 Side Fill Valve



KL03 1045137 Tank Outlet Pipe

- 1111013 Melt Seal

- 1045088 Connection Pipe

- 1045138 O Ring

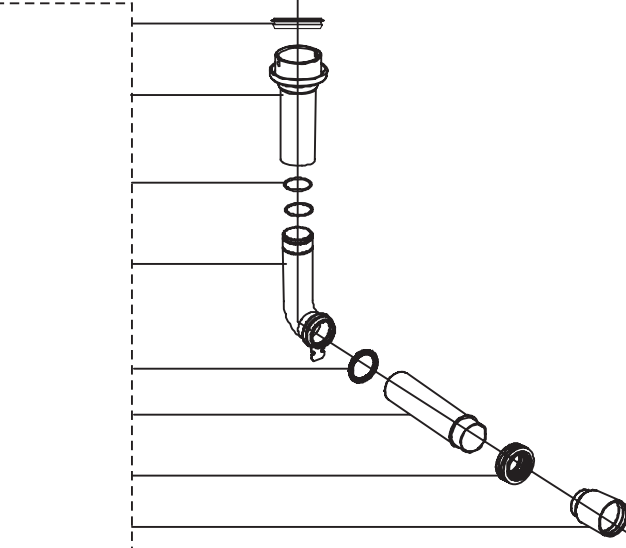
- 1045139 Adjustment Pipe

- 1045140 Rubber Gasket

- 1045142 Outlet Pipe

- 1045092 Rubber Gasket

- 1045143 Plug, Small



KL06

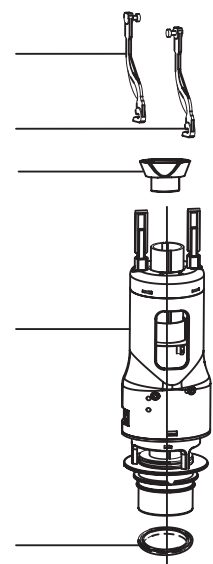
- 1059155 Hook, Left

- 1059156 Hook, Right

- 1111019 Tundish

- 1059157 P60A Flush Valve

- 1045102 Rubber Gasket



KOHLER®

Service Parts

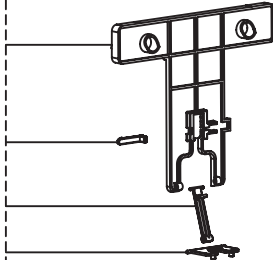
OVE

SHORTEN IN-WALL TANK

K-6288T/K-6287IN-NA/K-6287IN-F-NA

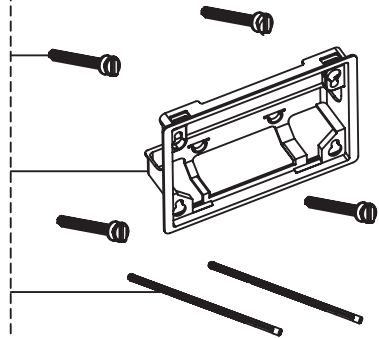
KL07

- 1059158
Location Block
- 1059159
Clip
- 1059160
Push Arm
- 1059161
Location Piece



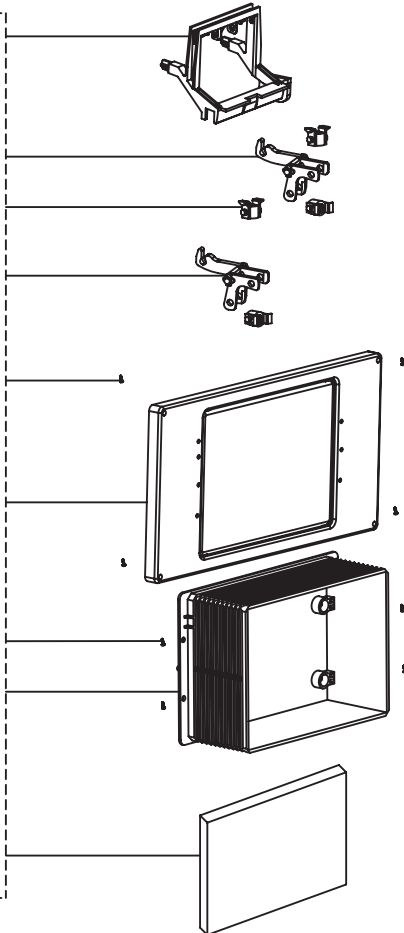
KL09

- 1059169
Fixation Shank
- 1059170
Location Panel
- 1059172
Push Bar



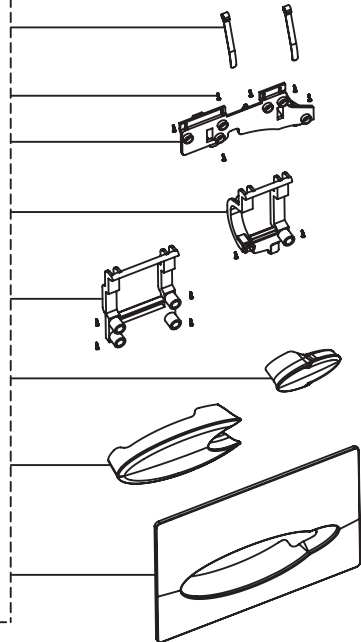
KL08

- 1059162
Tank Bracket
- 1059163
Small Push Pole
- 1059164
Screw Sheath
- 1059165
Big Push Pole
- 1045119
Screw
- 1059166
Roof Panel
- 1059167
ST3.5 Screw
- 1059168
Square Mask
- 1065472
Foam Baffle



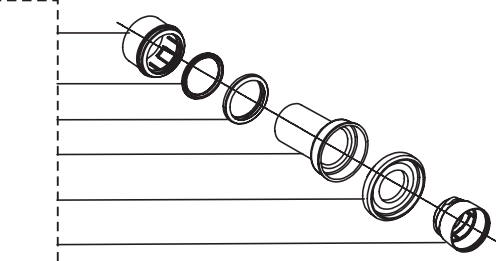
KL10

- 1059132
Spring
- 1059133
ST3 X 8 Screw
- 1059134
Fixation Cover
- 1065473
Small Push Arm
- 1065474
Big Push Arm
- 1059135
Small Push Button
- 1059136
Big Push Button
- 1059137
Cover



Straight Outlet Pipe System

- 1045170
Outlet Pipe, Rear
- 1045171
Rubber Gasket
- 1045172
Outlet Pipe, Front
- 1045173
Outlet Pipe
- 1045174
Rubber Gasket
- 1045175
Plug, Big



KL11

