

9032T

落地式去水弯管

安装之前

BEFORE YOU BEGIN

所有的资料是按最新出版的产品资料编写而成。科勒公司保留任何时候不经通知即可改变产品特性、包装或产品可供类型的权利。

All information is based on the latest product information available at the time of publication. Kohler Co. reserves the right to make changes in product characteristics, packaging, or availability at any time without notice.

说明书包括重要的安装、保养及清洁方面的内容,请把这些资料交给用户阅读。

Please leave these instructions for the consumer. They contain important information.

注意事项:

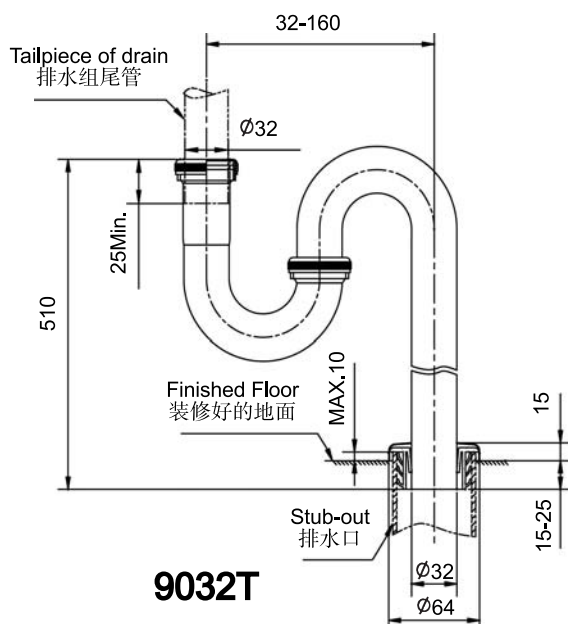
1. 遵守当地管路安装条例。
2. 关闭主供水源。
3. 根据安装尺寸,预置地下排水管。排水管内径大于 $\varnothing 32\text{mm}$ (推荐控制在 $33\sim 53\text{mm}$ 之间)。允许略高出装修好的地面,但不大于 10mm 。去水弯管伸入排水口长度不小于 25mm 。

NOTES:

1. Observe all local plumbing codes.
2. Shut off the main water supply.
3. According to rough-in dimensions, drain stub-out should be prearranged in the floor. Inside diameter of the drain stub-out must be bigger than $\varnothing 32\text{mm}$ (recommended $33\sim 53\text{mm}$). It can extend beyond the finished floor, but no more than 10mm . The pipe of the trap should reach into drain stub-out no less than 25mm .

安装尺寸

ROUGH-IN DIMENSIONS



安装步骤

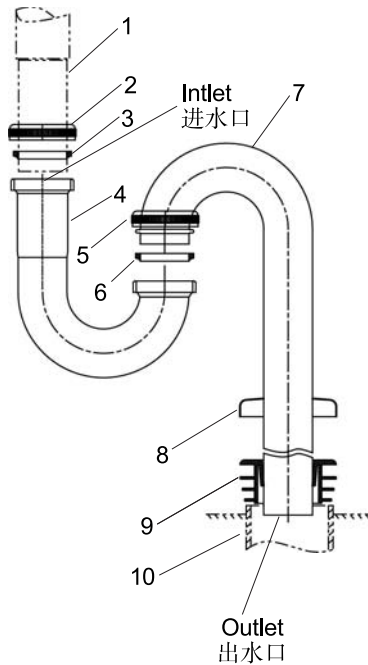
根据厂家的安装说明,安装排水组。

将去水弯管(4)上的连接螺帽(2)和垫圈(3)取下,依次将连接螺帽和垫圈套入排水组尾管(1)。手动旋紧连接螺帽。

注意: 确保落水头尾管插入连接螺帽长度不小于25毫米。

将去水弯管(4)上的连接螺帽(5)和垫圈(6)取下。将垫圈套入弯管(7)端头,依次将连接螺帽、装饰罩(8)和密封圈(9)从弯管出水口端套入。将弯管插入排水口(10)。调整两弯管的偏转角度,锁紧两连接螺帽以固定去水弯管。将密封圈塞入排水口,如弯管与排水口之间的间隙过小不能塞入密封圈,去掉密封圈,用密封胶填充间隙。将装饰罩下推与地面接触。

注意: 确保弯管(7)插入排水口长度不少于25毫米。



INSTALLATION

Install the drain to lavatory according to the manufacturer installation instruction.

Remove the nut(2) and washer(3) from the trap(4). Slide the nut and washer onto the tailpiece(1) of the drain. Then hand tighten the nut.

NOTE: Ensure the tailpiece of the drain must be inserted into the nut no less than 25mm.

Remove the nut(5) and washer(6) from the trap(4). Slide the washer onto the end of trap(7). Install the parts from outlet end of trap according to the following order: the nut, escutcheon(8) and sealing ring(9). Insert the trap into drain stub-out(10). Adjust the angle of traps. Tighten the nuts to secure the traps. Push down the sealing ring into stub-out. If the gap between trap and stub-out is too small to push in the sealing ring. Discard the sealing ring. Fill the gap with sealants. Push escutcheon against the finished floor.

NOTE: Ensure the trap must be inserted at least 25mm inside drain stub-out.

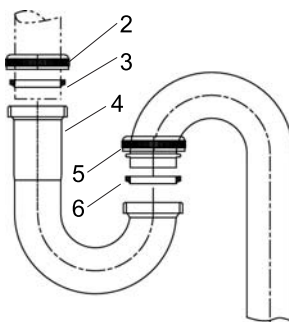
安装后检查

检查并确保所有的衔接螺帽都已拧紧。

打开排水器和主要供水源,检查并修理有漏水的接口。

清理去水弯管杂质

逆时针转动松开连接螺母(2、5)。取下弯管(4),注意不要弄丢垫圈(3、6)。清理积在去水弯管(6)内的杂质,重新装回垫圈及弯管,锁紧螺母。



INSTALLATION CHECKOUT

Ensure all coupling nuts are tightened.

Turn on the drain and main water supply. Check for leaks. Repair as required.

Clean Debris in Trap

Turn the nuts(2、5) counter-clockwise. Remove trap(4). Note: don't lose the washers(3、6). Clean out any debris that has collected in the trap. Reinstall the washers and trap. Tighten the nuts.

清理说明

适用于所有加工处理过的表面:以中性肥皂水清洗镀层表面,再以干净的软布彻底擦干整个表面。许多清洁剂,比如氨水、去污粉及洁厕灵等,会对电镀表面造成伤害,切忌使用。

有腐蚀性的清洁剂或溶剂不可使用于科勒牌的水龙头及其附件上。

CLEANING INSTRUCTIONS

All Finishes: Clean the finish with a mild soap and warm water. Wipe entire surface completely dry with a clean soft cloth. Many cleaners may contain chemicals, such as ammonia, chlorine, toilet cleaner etc, which could adversely affect the finish and are not recommended for cleaning. Do not use abrasive cleaners or solvents on Kohler faucets and fittings.

质量担保

科勒对正常使用下制造和质料上的瑕疵提供长达三年的质量担保,对其后出现的损坏不负任何责任。

注意:担保范围不包括:环境温度低于0°C,外观碰伤,使用或清洗不当以及未按说明书安装的额外损失;未有列明的修理和零件以及安装费用。

要获得担保服务,请通过您的安装承建者,或写信给科勒中国客户服务中心(请出示销售发票原件作为购货凭证):

科勒(中国)投资有限公司中央客户服务中心
中国上海市浦东新区金滇路18号E幢
邮编:201206
免费咨询保修电话:8008202628 & 4008202628
网址:www.kohler.com.cn

WARRANTY

Kohler provides three years warranty for its defects of material & workmanship free during normal use from the date of the product is purchased.

NOTES: This warranty does not cover problems arising from environment temperature below 0 °C, surface damage, improper use, care or improper cleaning. Kohler is not responsible for labor charges, installation, or other incidental or consequential costs.

To obtain warranty service, please contact your distributor, plumbing contractor or write to the following Kohler Customer Service Center (Please provide all pertinent information regarding your claim, including the original invoice, a complete description of the problem ect.):

Central Customer Service Center, Kohler China Investment Co., LTD.
Building E, 18 Jindian Road, Pudong New Area, Shanghai, PRC
Post Code: 201206
Toll-free service call: 8008202628 & 4008202628
Website: www.kohler.com.cn

9032T

落地式去水弯管

