

BEFORE YOU BEGIN

开始之前

- Congratulation on your purchase of this high quality Bathroom Accessory. Before proceeding with the installation, please carefully read this installation instruction in order to ensure proper care and assembly of this accessory.
- Please keep this installation instruction for future reference.



Prior to drilling into walls, check there are no hidden electrical wires, cables or water supply pipes with the aid of an electronic detector. If you use power tools do not forget:

1. Wear eye protection.
2. Unplug equipment after use.

- 首先恭喜您购买到了高档的卫浴产品，为了让您正确保护和组装产品，在您安装之前请详细阅读此说明书。

- 请保留此说明书以备参考。



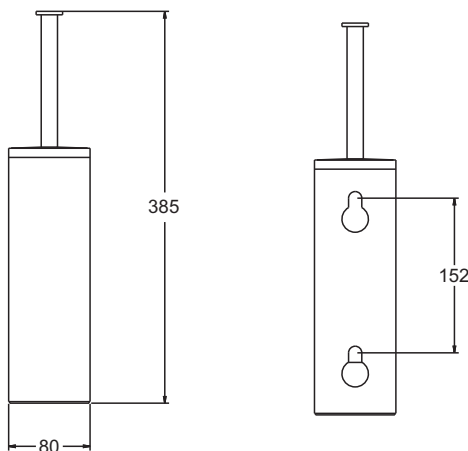
警示：在钻孔之前，请借助电子探测仪确认墙内是否有电源线，通讯光缆或者水管之类的东西。如果使用电钻的话请勿忘记以下两点：

1. 请戴上防护镜。
2. 用完设备后关掉电源。

ROUGHING-IN

尺寸图

Unit: mm
单位: 毫米



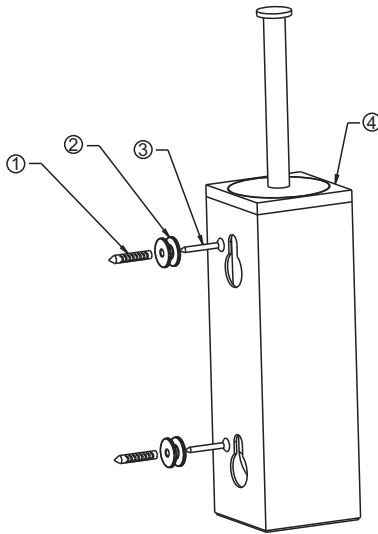
科勒(中国)投资有限公司
上海市闸北区江场三路158号 邮编: 200436

INSTALLATION

安装步骤

1. Identify all components and check for completeness, particularly before arranging fitting.
2. Use measuring tools to measure the distance between two mounting holes on the toilet brush holder and mark drilling positions.
3. Drills holes to suit:
Note: For best results, avoid wall studs. It is suggested to use a level to mark the holes.
4. Apply silicone sealant around the inner wall of drilled holes and insert anchors ①.
5. Slide screws ③ through bracket ② holes and fix them into anchors ①.
6. Hang the toilet brush holder ④ onto the bracket ②.

1. 在安装之前请先辨别所有零件并确认是否齐全。
2. 先用量具量出马桶刷外壳两孔的中心距，并在安装的位置上标示出钻孔点。
3. 钻孔固定：
为了达到最佳效果并避免墙面受损，建议您先借助水平尺规标明孔位。
4. 在钻好的孔内涂上硅胶，并插上壁塞①。
5. 将螺钉③穿过支架②后，用螺丝刀固定在壁塞①中。
6. 将马桶刷架④挂在支架②上。



CARING FOR YOUR PRODUCTS

保养须知

The accessories should be washed with warm water and a soft cloth or sponge. Do not use abrasive cleaners or cleaners containing bleach.

为了更好地保养本品，请您用温水和软毛巾(或海绵)擦拭，含有腐蚀性或漂白剂的洗洁剂对本品有害。